

Bus system plug connector - SACC-M12MRB-5CON-PG 9-SH - 1430417

Please be informed that the data shown in this PDF Document is generated from our Online Catalog. Please find the complete data in the user's documentation. Our General Terms of Use for Downloads are valid (<http://download.phoenixcontact.com>)

Bus system connector, connector angled, 5-pos., M12 shielded, gold-plated contacts, B-coded, screw connection, metal knurl, cable gland Pg9



Key commercial data

| | |
|------------------------|---------------------|
| Packing unit | 0 |
| Minimum order quantity | 1 |
| Catalog page | Page 71 (PC-2011) |
| GTIN | 4 046356 321495 |
| Custom tariff number | 85366990 |
| Country of origin | GERMANY |

Technical data

General data

| | |
|---------------------------------|------------------------------------------------------|
| Rated current at 40°C | 4 A |
| Rated voltage | 60 V |
| Number of positions | 5 |
| Volume resistance | ≤ 3 mΩ |
| Insulation resistance | ≥ 100 MΩ |
| Ambient temperature (operation) | -40 °C ... 85 °C (Male connector / female connector) |

General characteristics

| | |
|--------------------------|----------------------------------|
| Standards/regulations | M12 connector IEC 61076-2-101 |
| Coding | B - inverse |
| Surge voltage category | II |
| Pollution degree | 3 |
| Degree of protection | IP67 |
| Torque | 0.4 Nm (M12 knurl) |
| Torque | 0.4 Nm (Screw terminal blocks) |
| Torque | 0.8 Nm ... 1 Nm (Pressure screw) |
| Contact material | CuZn |
| Contact surface material | Au |

Bus system plug connector - SACC-M12MRB-5CON-PG 9-SH - 1430417

Technical data

General characteristics

| | |
|-----------------------------|-----------------------------------------------|
| Contact carrier material | PA 66 |
| Material of grip body | Zinc die-cast, nickel-plated |
| Material, knurls | Nickel-plated brass |
| Sealing material | NBR |
| Connection method | Screw connection |
| Conductor cross section | 0.25 mm ² ... 0.75 mm ² |
| AWG conductor cross section | 24 ... 18 |
| External cable diameter | 6 mm ... 8 mm |
| Status display | No |

Classifications

eclass

| | |
|------------|----------|
| eCl@ss 4.0 | 27250313 |
| eCl@ss 4.1 | 27250313 |
| eCl@ss 5.0 | 27143423 |
| eCl@ss 5.1 | 27143423 |
| eCl@ss 6.0 | 27143423 |
| eCl@ss 7.0 | 27449001 |

etim

| | |
|----------|----------|
| ETIM 3.0 | EC002062 |
| ETIM 4.0 | EC002062 |

unspsc

| | |
|---------------|----------|
| UNSPSC 6.01 | 31251501 |
| UNSPSC 7.0901 | 31251501 |
| UNSPSC 11 | 31251501 |
| UNSPSC 12.01 | 31251501 |
| UNSPSC 13.2 | 31251501 |

Approvals

Approvals

Approvals

GOST

Ex Approvals

Bus system plug connector - SACC-M12MRB-5CON-PG 9-SH - 1430417

Approvals

Approvals submitted

Approval details



Accessories

Accessories

Protection and sealing elements

Sealing cap - PROT-M12 FS-PA-CHAIN - 1430873

M12 sealing cap made of plastic with fixing band, for sensor cables, for free M12 sockets



Tools

Torque screwdriver - TSD 04 SAC - 1208429



Torque screwdriver, with preset torque of 0.4 Nm and 4 mm hexagonal drive for M12 connectors

Tool - SACC BIT M12-D20 - 1208445



Nut for assembling SACC M12 connectors for free assembly, excluding M12 connectors with QUICKON fast connection technology, for 4 mm hexagonal drive

Torque screwdriver - TSD-M 1,2NM - 1212224



Torque screw driver, accuracy as per EN ISO 6789 standard, adjustable from 0.3 - 1.2 Nm

Bus system plug connector - SACC-M12MRB-5CON-PG 9-SH - 1430417

Accessories

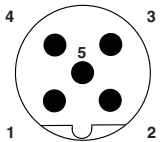
Adapter insert - TSD-M SAC-BIT ADAPTER - 1212600



Adapter bit for TSD-M...torque tools, E6.3-1/4" drive with 4 mm hexagon to accommodate SAC bits

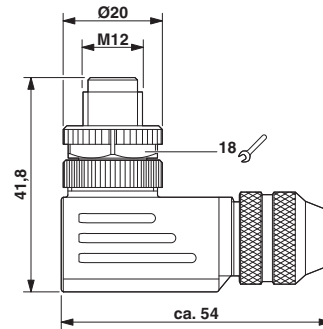
Drawings

Schematic diagram



Pin assignment M12 female connector, 5-pos., B-coded, female side

Dimensioned drawing

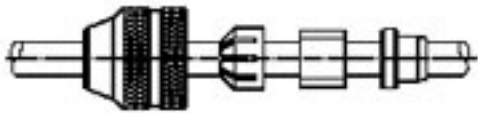


M12 x 1 male connector, angled, shielded

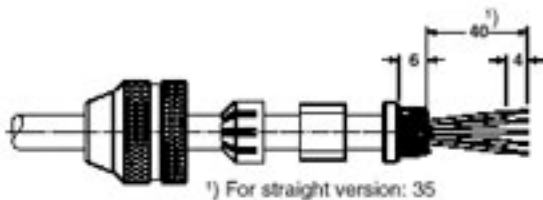
Bus system plug connector - SACC-M12MRB-5CON-PG 9-SH - 1430417

Functional drawing

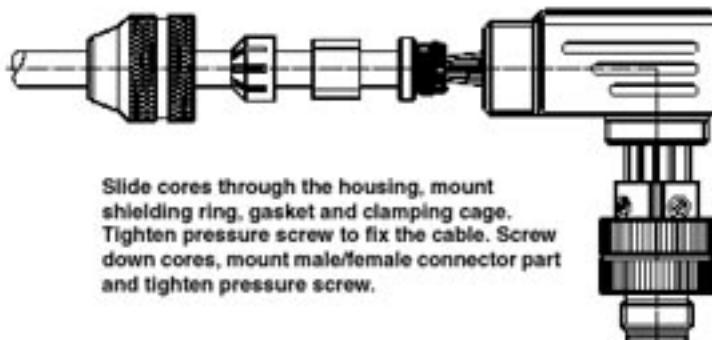
Assembly steps for M 12 male/female connector and conductor



Slide parts onto the conductor



Strip conductor, widen shield and lay around the shielding ring, cut off projecting mesh.



Slide cores through the housing, mount shielding ring, gasket and clamping cage. Tighten pressure screw to fix the cable. Screw down cores, mount male/female connector part and tighten pressure screw.