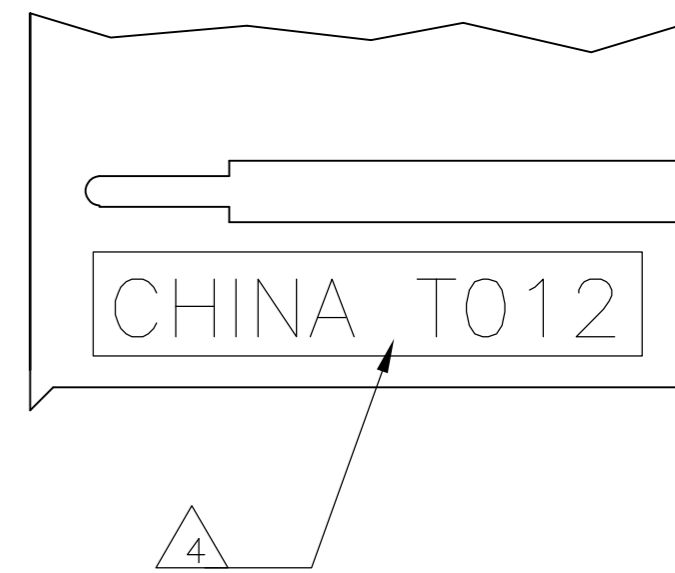
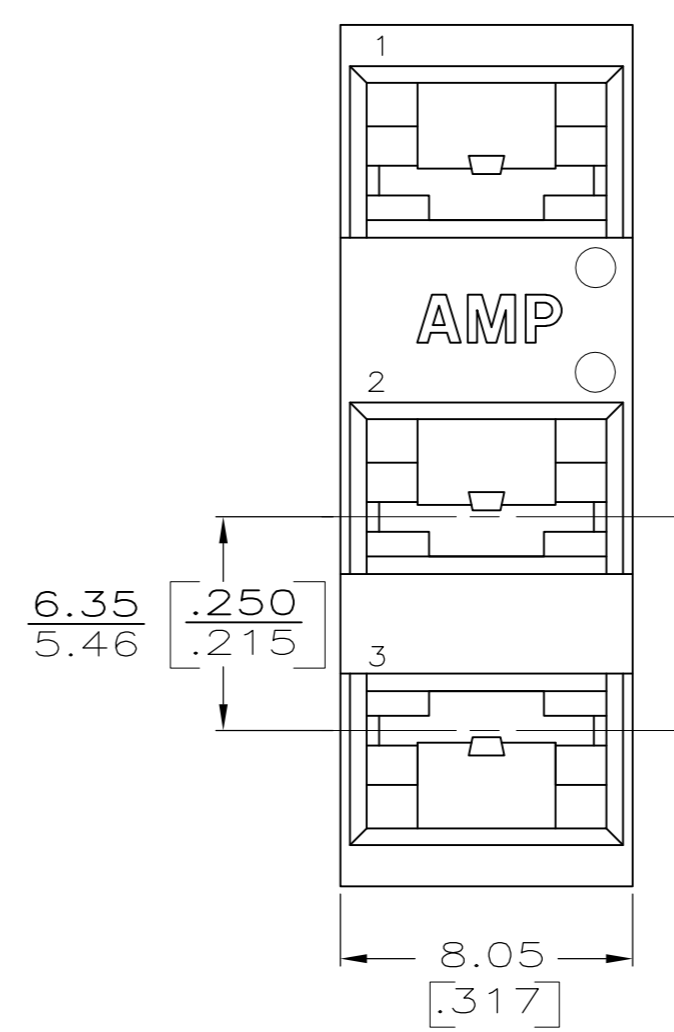
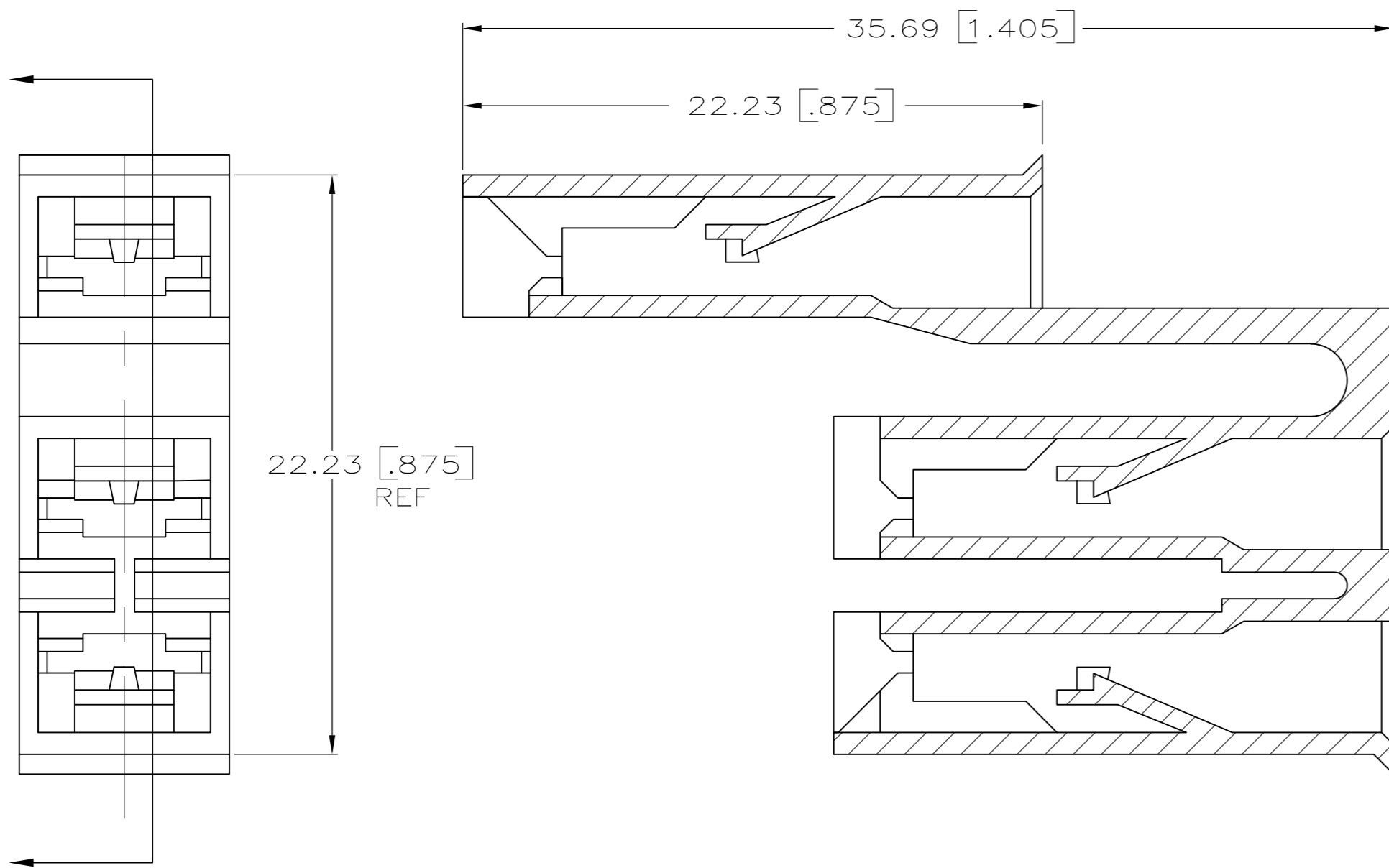


THIS DRAWING IS UNPUBLISHED. RELEASED FOR PUBLICATION  
 © COPYRIGHT BY TYCO ELECTRONICS CORPORATION. ALL RIGHTS RESERVED.

LOC	DIST	REVISIONS			
P	LTR	DESCRIPTION	DATE	DWN	APVD
AF	50	AB4	REV PER ECR 07-019039	13AUG07	JR PD



- 1 DIMENSIONS IN BRACKETS ARE IN INCHES.
- 2 HOUSING TO BE USED WITH THE FOLLOWING TERMINALS; 42452, 42453, 42373, 42374, 42617, 60487, 60573, 60214, 60621, 61017, 61079, 61084, 61124, 61919, 60831, 62138.
- 3 HOUSING TO BE USED WITH CHERRY SWITCH STANDARD FORCE/MINEATURE SERIES E23, E33, E34.

- △4 COUNTRY OF ORIGIN AND VENDOR CODE
- △5 PRELIMINARY - NOT FOR PRODUCTION

OBSOLETE

FINISH	MATERIAL	PART NO
NATURAL	6/6 NYLON, VO	△5 360010-6
NATURAL	POLYAMIDE, UL 94, V2, ACCORDING TO IEC 60335-1, GLOW WIRE	360010-5
NATURAL	4/6 NYLON 150° C	△5 360010-4
<del>DYED RED</del>	<del>6/6 NYLON</del>	<del>360010-3</del>
NATURAL	6/6 NYLON, VO	360010-2
NATURAL	6/6 NYLON	360010-1

THIS DRAWING IS A CONTROLLED DOCUMENT.		DWN	JR RUTH	5/21/87	Tyco Electronics Corporation Harrisburg, PA 17105-3608
DIMENSIONS: mm [INCHES]		CHK	MS FEHER	5/27/87	
TOLERANCES UNLESS OTHERWISE SPECIFIED:		APVD	C MEYERS	5/27/87	
0 PLC ± - 1 PLC ± - 2 PLC ± - 3 PLC ± 0.38 [.015] 4 PLC ± - ANGLES ± -		PRODUCT SPEC	NAME		
MATERIAL SEE TABLE		FINISH	SEE TABLE		HOUSING, RECEPTACLE, FASTON, .187 SERIES, 3 CIRCUIT
CUSTOMER DRAWING		WEIGHT	-		SIZE A2 CAGE CODE 00779 DRAWING NO C=360010 RESTRICTED TO -
		SCALE	1:1		SHEET 1 OF 1 REV AB4