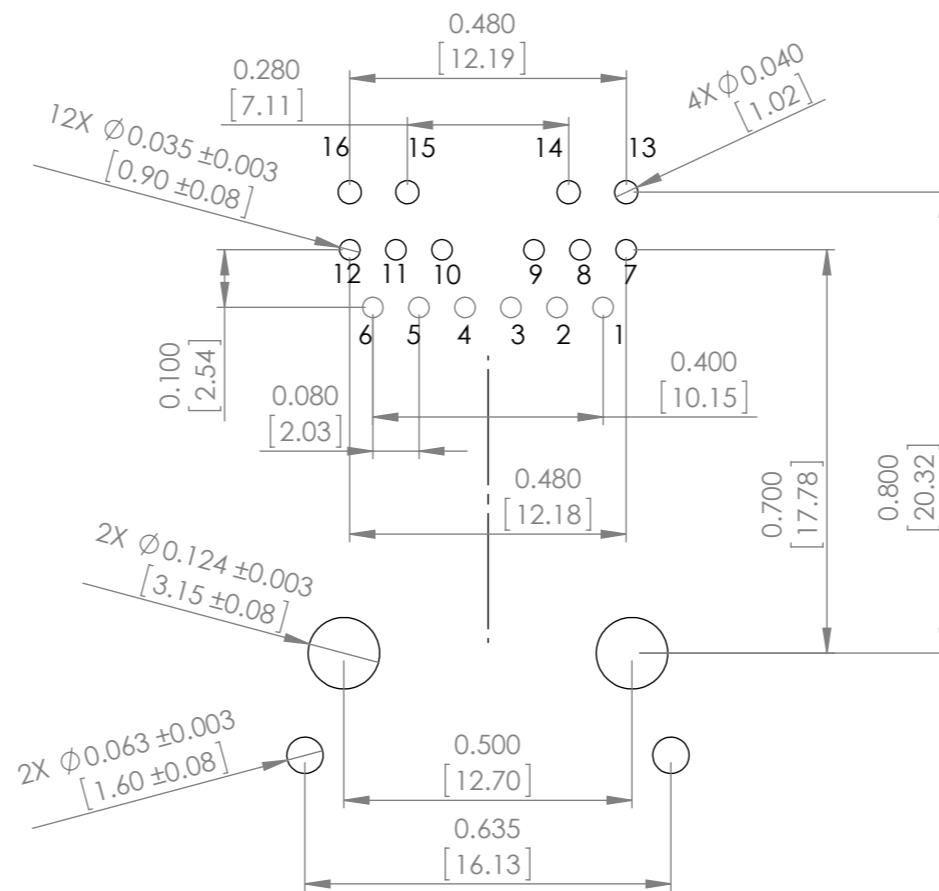
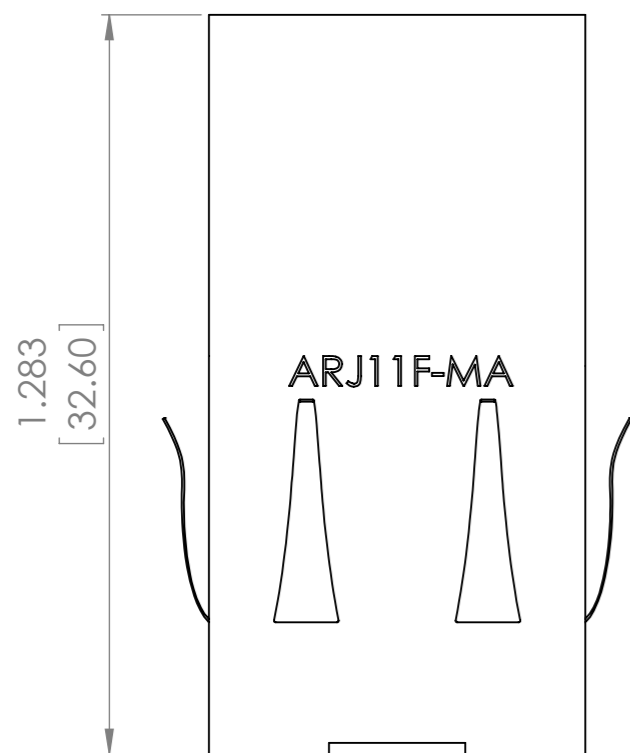
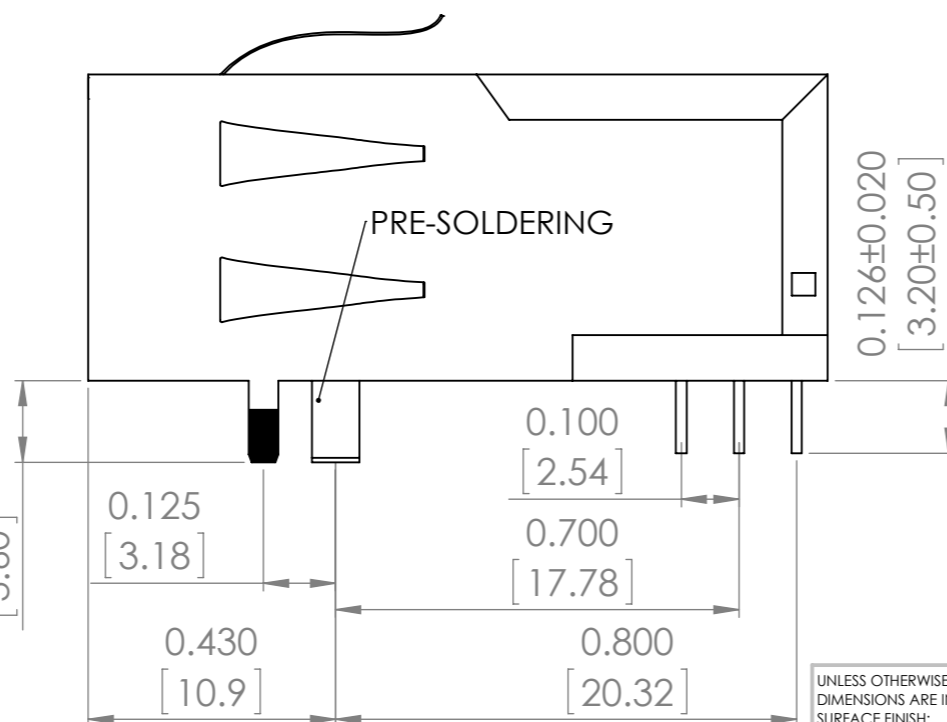
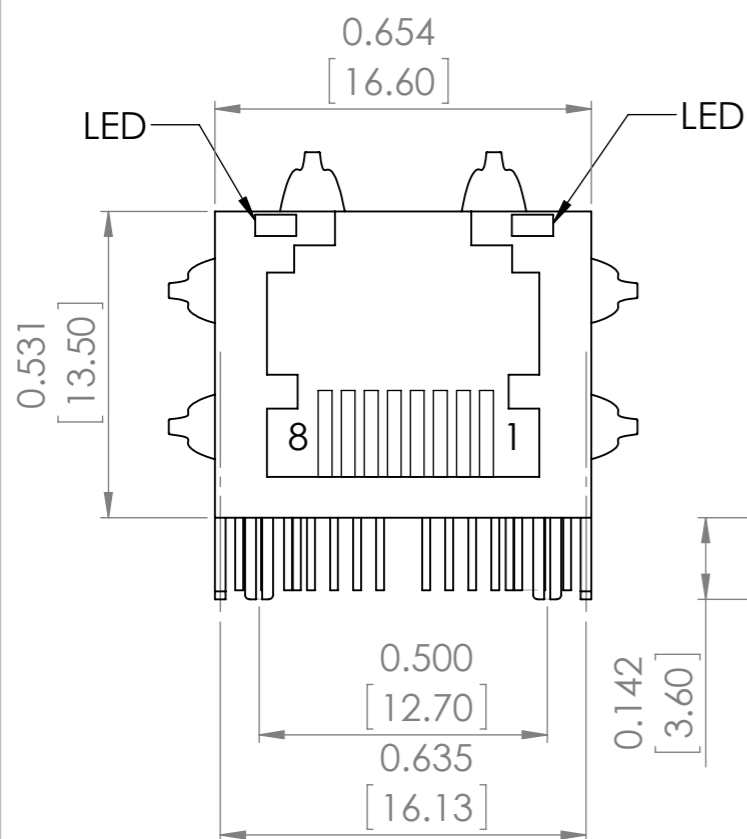
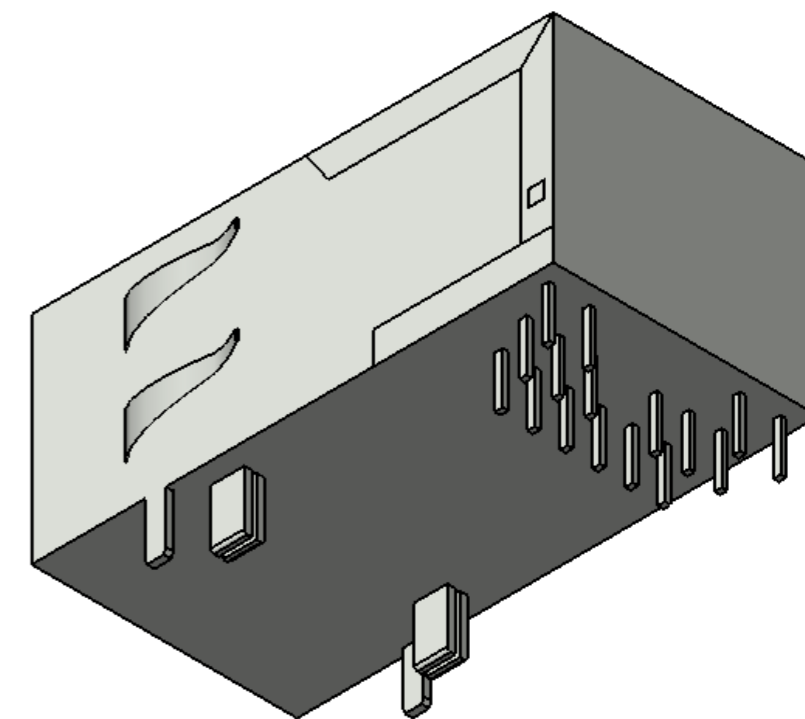
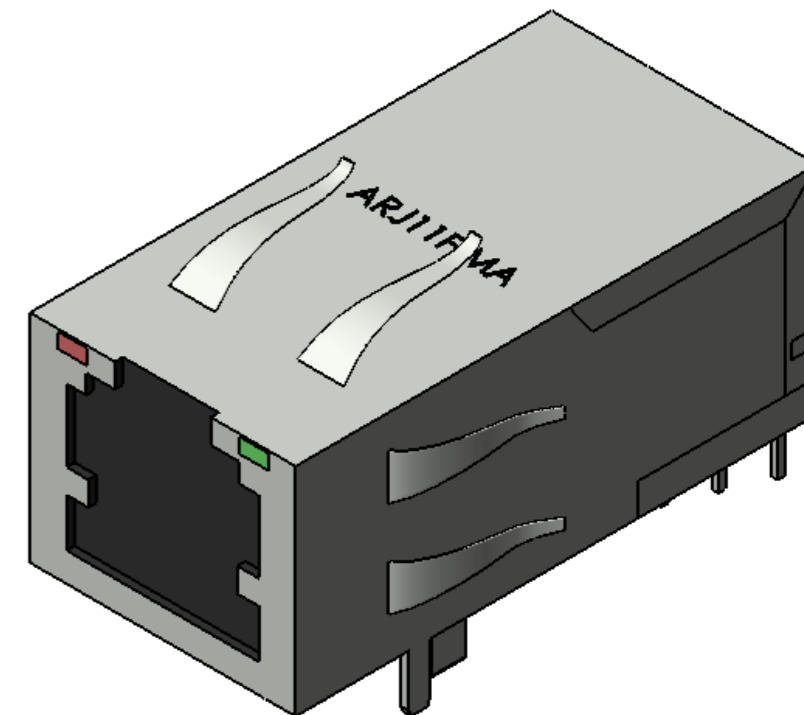



MA



**PC BOARD LAYOUT
COMPONENT SIDE SHOWN**



UNLESS OTHERWISE SPECIFIED: DIMENSIONS ARE IN MM SURFACE FINISH: TOLERANCES: LINEAR: ANGULAR:				FINISH:		DEBUR AND BREAK SHARP EDGES		DO NOT SCALE DRAWING		REVISION	
								 ABRACON CORPORATION		-	
								30332 Esperanza, Rancho Santa margarita, California 92688		TITLE: RJ45	
								DWG NO. ARJ11F-MA		A3	
						WEIGHT:		SCALE:3:1		SHEET 1 OF 1	

	NAME	SIGNATURE	DATE		
DRAWN	SAZVAT				
CHK'D	XXXXXX				
APPV'D					
MFG					
Q.A					