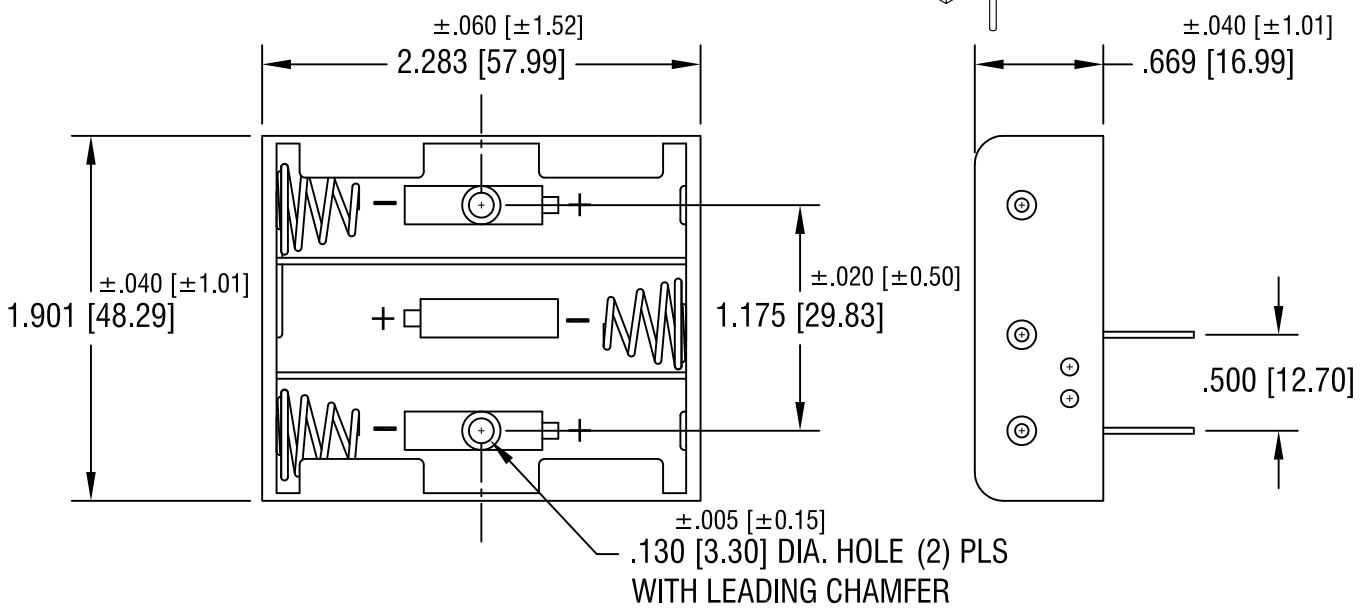
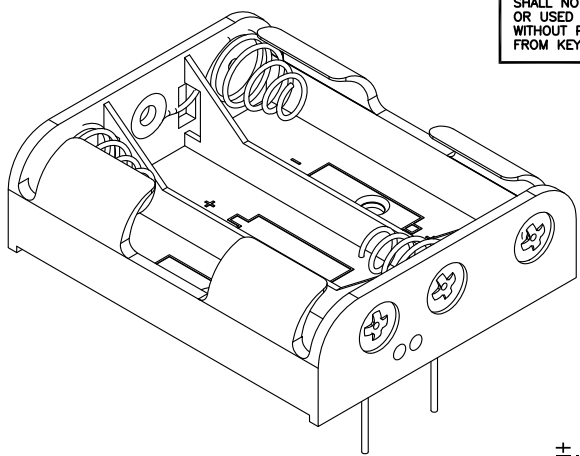
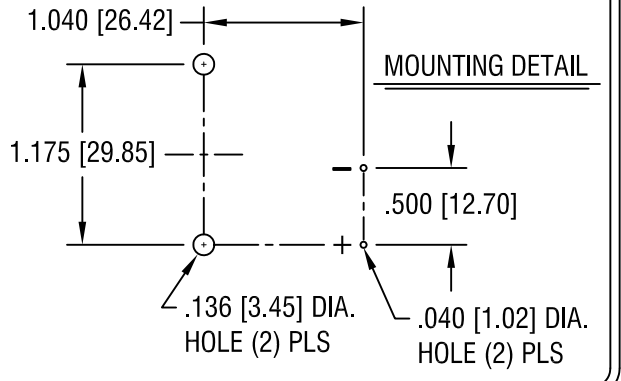
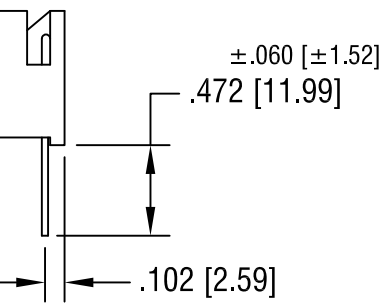


THIS DOCUMENT IS THE PROPERTY OF KEYSTONE ELECTRONICS CORP. AND SHALL NOT BE REPRODUCED, DISTRIBUTED OR USED AS A BASIS FOR MANUFACTURE WITHOUT PRIOR WRITTEN PERMISSION FROM KEYSTONE ELECTRONICS CORP.



NOTE:
 1. HOLDER: MAT'L: POLYPROPYLENE
 SPRING: MAT'L: MUSIC WIRE, .027 [0.70] DIA.
 PC TERMINALS: MAT'L: BRASS, .032 [0.81] DIA.



KEYSTONE ELECTRONICS CORP.			
ASTORIA, N.Y. 11105-2017			
PART NAME		PC BATTERY HOLDER (3) 'AA'	
MATERIAL		AS NOTED	
FINISH	NICKEL PLATE	DRN BY	BOONE
		APP'D	LN
		DATE	10.26.95
		SCALE	1X
TOLERANCES	INCH [MM]	CODE	DWG NO.
DECIMAL	± .015 [± 0.38]	C/M	2464
ANGULAR	± 1°		
UNLESS OTHERWISE SPECIFIED			

6.12.09	CHANGE AS PER ECN 09-067	C
11.15.99	CHANGE AS PER ECN 99-085	B
12.18.95	CHANGE AS PER ECR 95-039	A
DATE	DESCRIPTION	REV.