

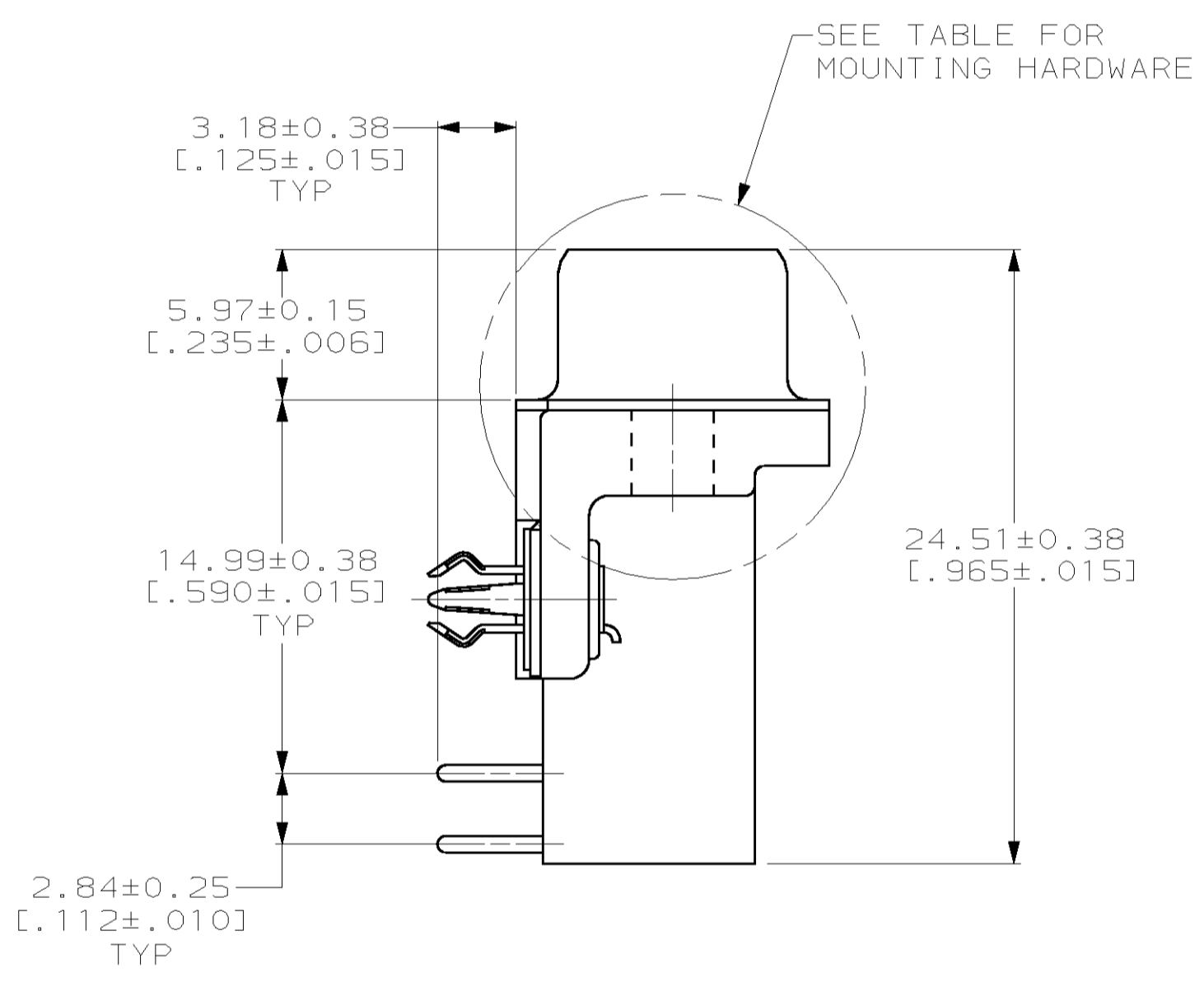
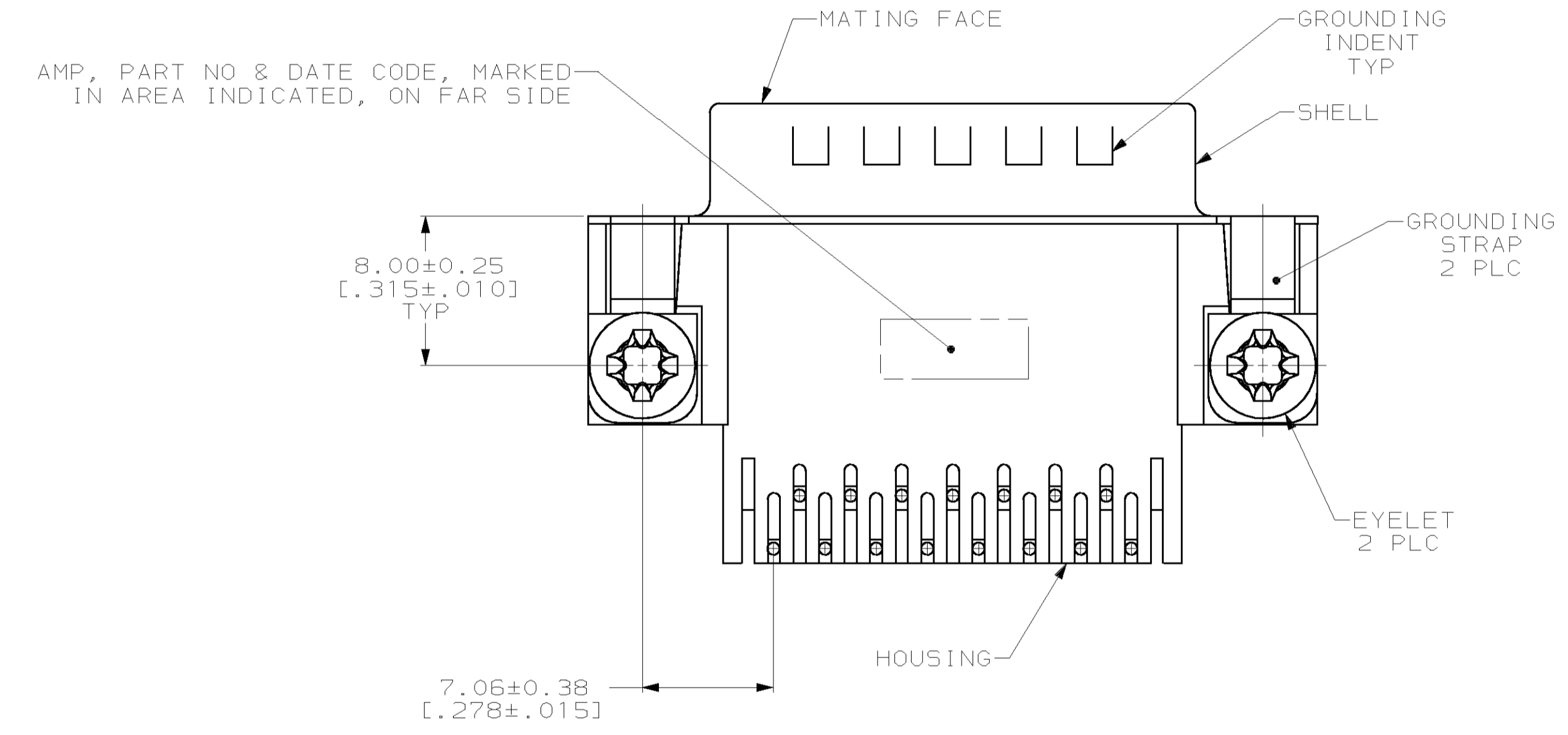
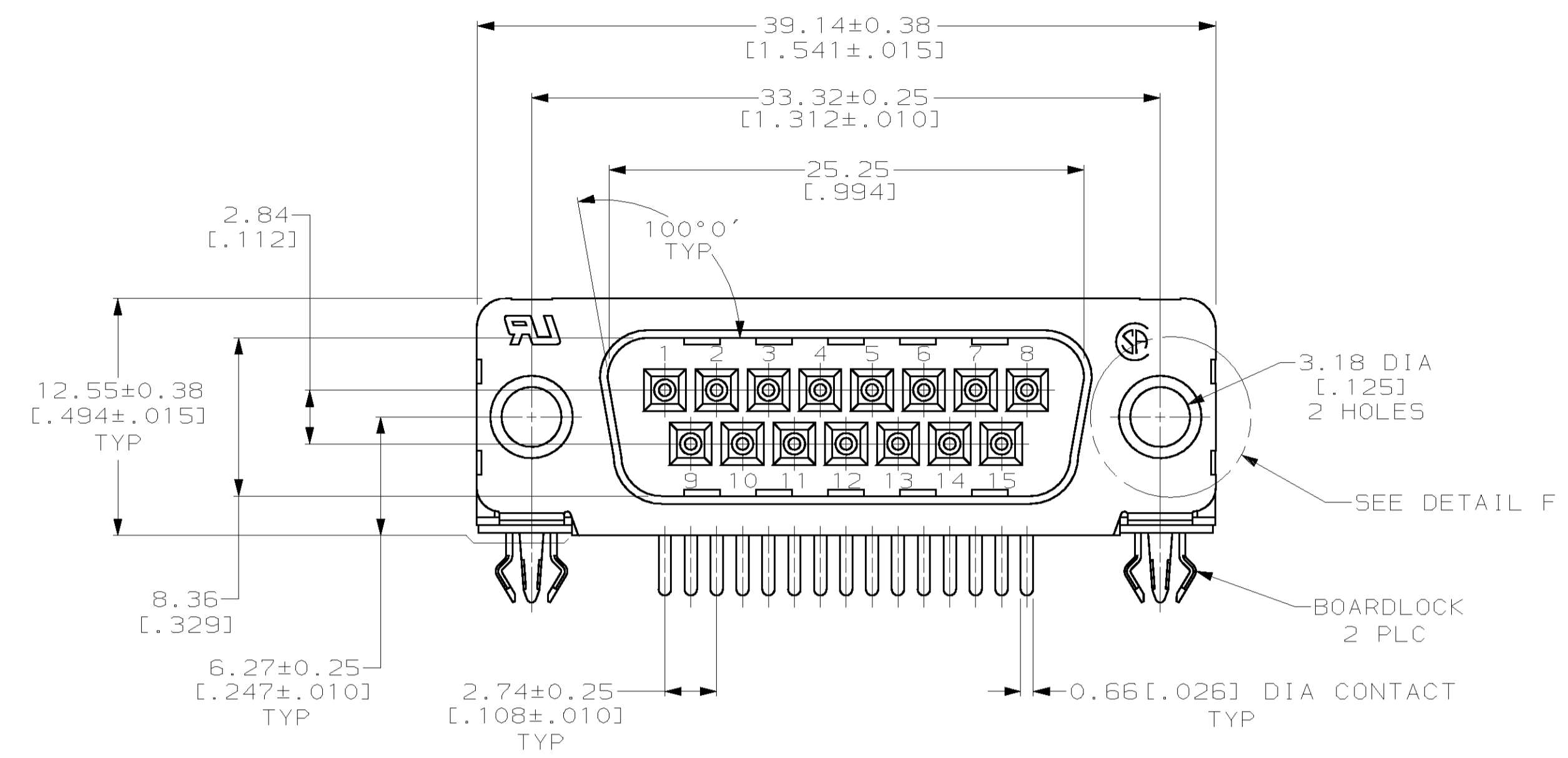
LOC	DIST	REV	DESCRIPTION	DATE	BY	APPV
BD	77	M	REVISED PER EC 0640-0283-99	22DEC99	DD	KB

D

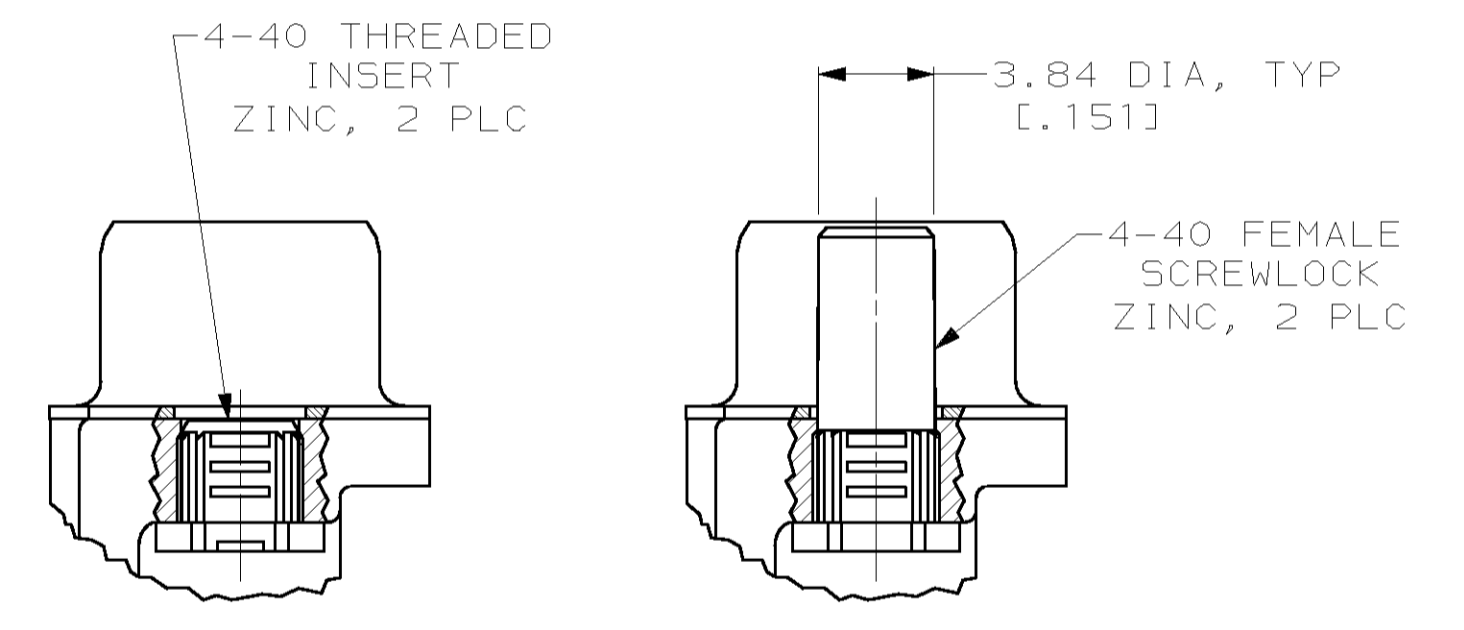
C

B

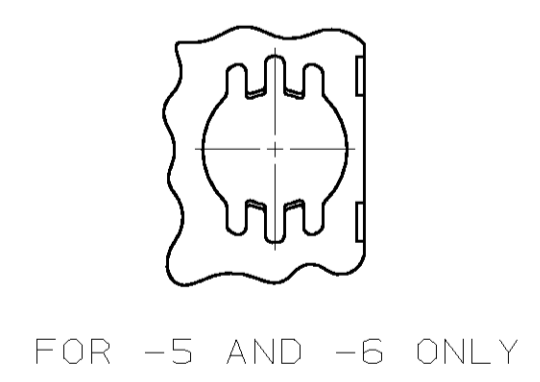
A



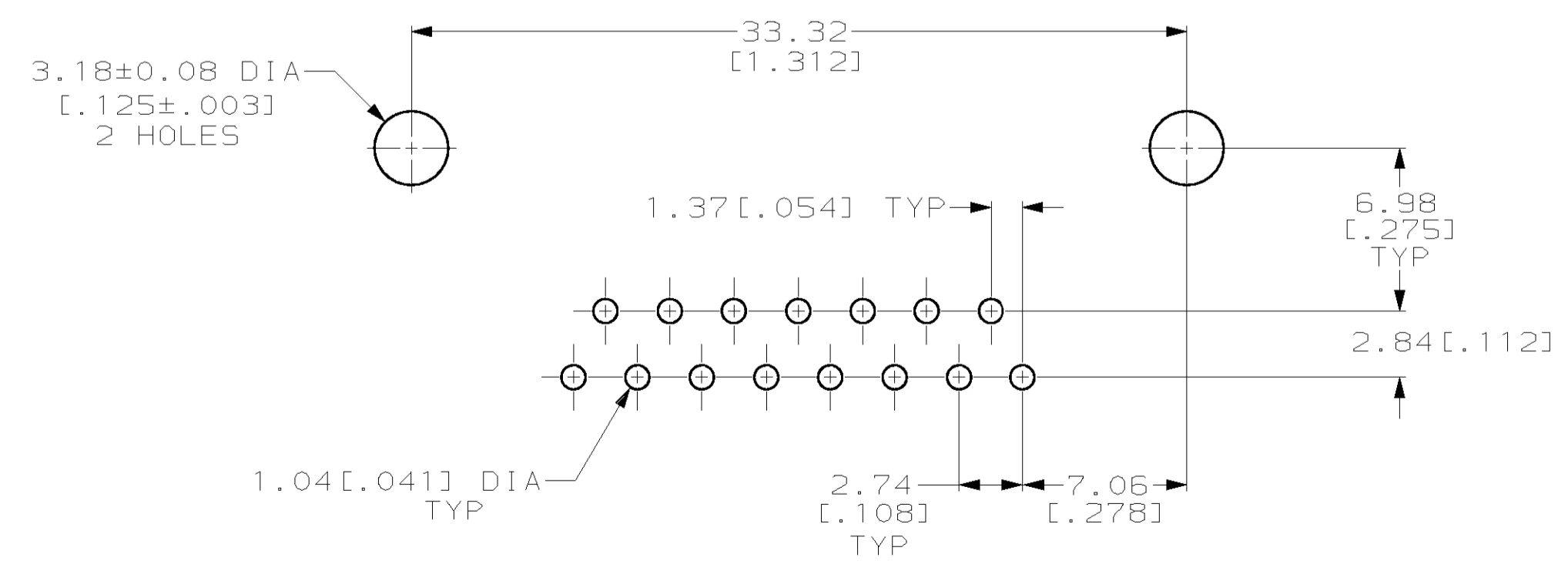
- 1 NYLON OR POLYESTER, FLAME RETARDANT, UL 94V-0 RATED, GLASS FILLED, BLACK.
- 2 BRASS PER MIL-C-50.
- 3 CARBON STEEL PER ASTM A109.
- 4 EYELETS: BRASS; BOARDLOCKS: COPPER ALLOY.
- 5 GOLD PLATING PER MIL-G-45204; NICKEL PLATING PER QQ-N-290; TIN PLATING PER MIL-T-10727; COPPER PLATING PER MIL-C-14550.
- 6 2.54µm [1.000100] MIN TIN OVER 1.27µm [1.000050] MIN COPPER.
- 7 EYELETS: 5.08µm [1.000200] MIN TIN OVER COPPER FLASH. BOARDLOCKS: 5.08µm [1.000200] MIN TIN-LEAD OVER 1.27µm [1.000050] MIN NICKEL.
- 8 GOLD FLASH FOR A LENGTH OF 3.81 [1.50] MIN FROM MATING END, 2.54µm [1.000100] MIN TIN OR TIN-LEAD FOR A LENGTH OF 3.56 [1.40] MIN FROM OPPOSITE END, BOTH OVER 1.27µm [1.000050] MIN NICKEL.
- 9 GOLD PLATED FOR A LENGTH OF 3.81 [1.50] MIN FROM MATING END, 0.76µm [1.000030] MIN GOLD IN MATED AREA, 2.54µm [1.000100] MIN TIN OR TIN-LEAD FOR A LENGTH OF 3.56 [1.40] MIN FROM OPPOSITE END, BOTH OVER 1.27µm [1.000050] MIN NICKEL.
- 10 OBSOLETE PART NUMBER.



DETAIL D DETAIL E



DETAIL F
2 PLC



P.C. BOARD MOUNTING DIMENSIONS
 P.C. BOARD THICKNESS: 1.57 [1.062]

SEE DETAIL E	9	747833-6
SEE DETAIL E	8	747833-5
SEE DETAIL D	9	747833-4
SEE DETAIL D	8	747833-3
-	9	747833-2
-	8	747833-1
MOUNTING HARDWARE	CONTACT FINISH	PART NUMBER

THIS DRAWING IS A CONTROLLED DOCUMENT.

DIMENSIONS: mm [INCHES]	TOLERANCES UNLESS OTHERWISE SPECIFIED:	DATE: 16 OCT 89	BY: W.G. LENKER	AMP Incorporated Harrisburg, PA 17105-3608
0 PLC ±	1 PLC ±	05 FEB 90	CHK: R. STONE	
2 PLC ±	3 PLC ±0.13 [1.005]	06 FEB 90	APPV: M.D. GALLOWAY	
4 PLC ±	ANGLES ±2°			
MATERIAL: HOUSING, SHELL, HARDWARE	FINISH: CONTACTS, SEE TABLE; SHELL, HARDWARE; INSERTS, CLEAR CHROMATE; SCREWLOCKS, CLEAR CHROMATE	NAME: PLUG ASSEMBLY, SIZE 2, 15 POSITION, RIGHT ANGLE, FRONT METAL SHELL, .590 SERIES, BOARDLOCKS, AMPLIMITE® HD-20	PRODUCT SPEC: 108-40025	APPLICATION SPEC: 114-40010
SIZE: 114-40010	WEIGHT: -	SCALE: 4:1	SHEET: 1 OF 1	REV: M
CUSTOMER DRAWING				