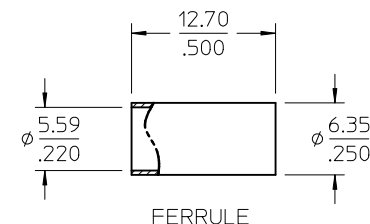
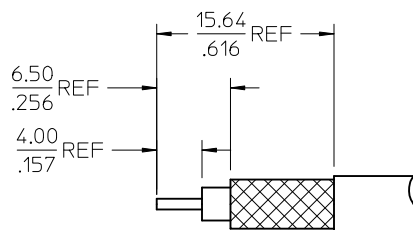
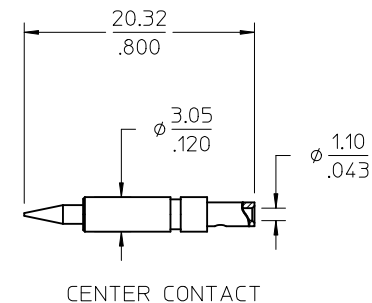
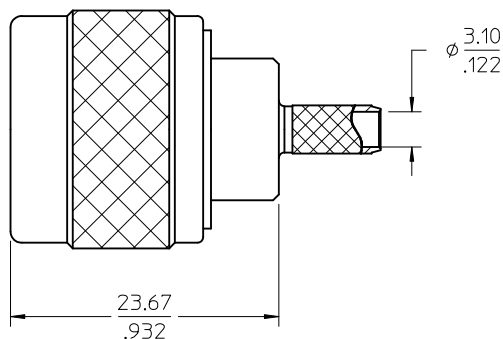
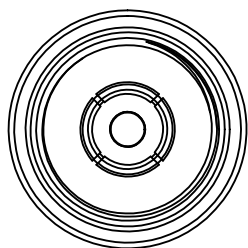
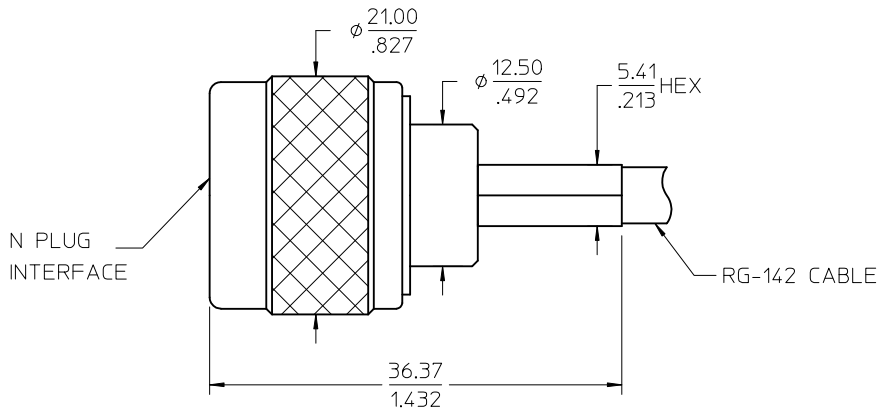


MATERIALS AND FINISHES

BODY, COUPLING NUT, FERRULE BRASS
PLATED NICKEL

CENTER CONTACT BRASS
PLATED GOLD

INSULATOR TEFLON



CABLE STRIP DIMENSIONS

73276-1340	73258-5059, ONE PER BAG
73258-5059	BULKPACK
PART NO.	PACKAGING

CHG: DELETE AS-73597-0020 DELETE ES-73599-0000 DELETE ELECTRICAL SPECIFICATIONS	EC NO: URF2011-0247 DRWN: WIENER 2010/10/25 CHKD: SSS 2010/10/25 APPR: WIENER 2010/10/27	DESCRIPTION
REV	A3	

QUALITY SYMBOLS	GENERAL TOLERANCES (UNLESS SPECIFIED)
▽=0	mm INCH
▽=0	4 PLACES ± --- ± ---
	3 PLACES ± --- ± ---
	2 PLACES ± --- ± ---
	1 PLACE ± --- ± ---
	ANGULAR ± 2 °
	DRAFT WHERE APPLICABLE MUST REMAIN WITHIN DIMENSIONS

DIMENSION STYLE	SCALE	DESIGN UNITS	THIRD ANGLE PROJECTION
MM/IN	METRIC		
DRAWN BY	DATE	TITLE	
FIELDS	1993/05/03	N PLUG, STRAIGHT 50 OHM RG142 CABLE, CRIMP/CRIMP 50 OHMS, N-PC	
CHECKED BY	DATE		
APPROVED BY	DATE		
JWIENER	2010/10/27		
MATERIAL NO.	DOCUMENT NO.		
SEE TABLE	SD-73258-5059		
SIZE			
C	THIS DRAWING CONTAINS INFORMATION THAT IS PROPRIETARY TO MOLEX INCORPORATED AND SHOULD NOT BE USED WITHOUT WRITTEN PERMISSION		

MOLEX	MOLEX INCORPORATED	SHEET NO.
		1 OF 1