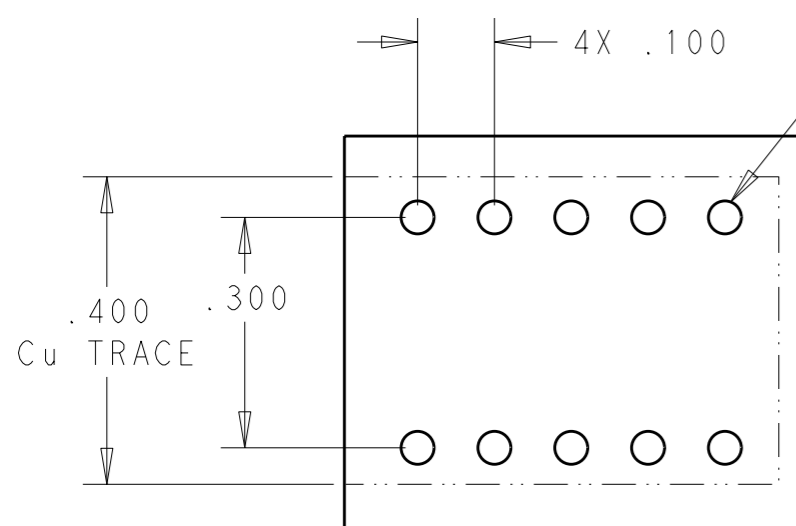


LOC GP DIST 00

REVISIONS

P	LTR	DESCRIPTION	DATE	DWN	APVD
	C	REV PER ECO-11-007678	31MAY2011	RG	DO



DRILLED HOLE
 $\varnothing .0453 \pm .001$
 AFTER PLATING
 $\varnothing .043 / .037, 10X$

SUGGESTED PCB FOOTPRINT

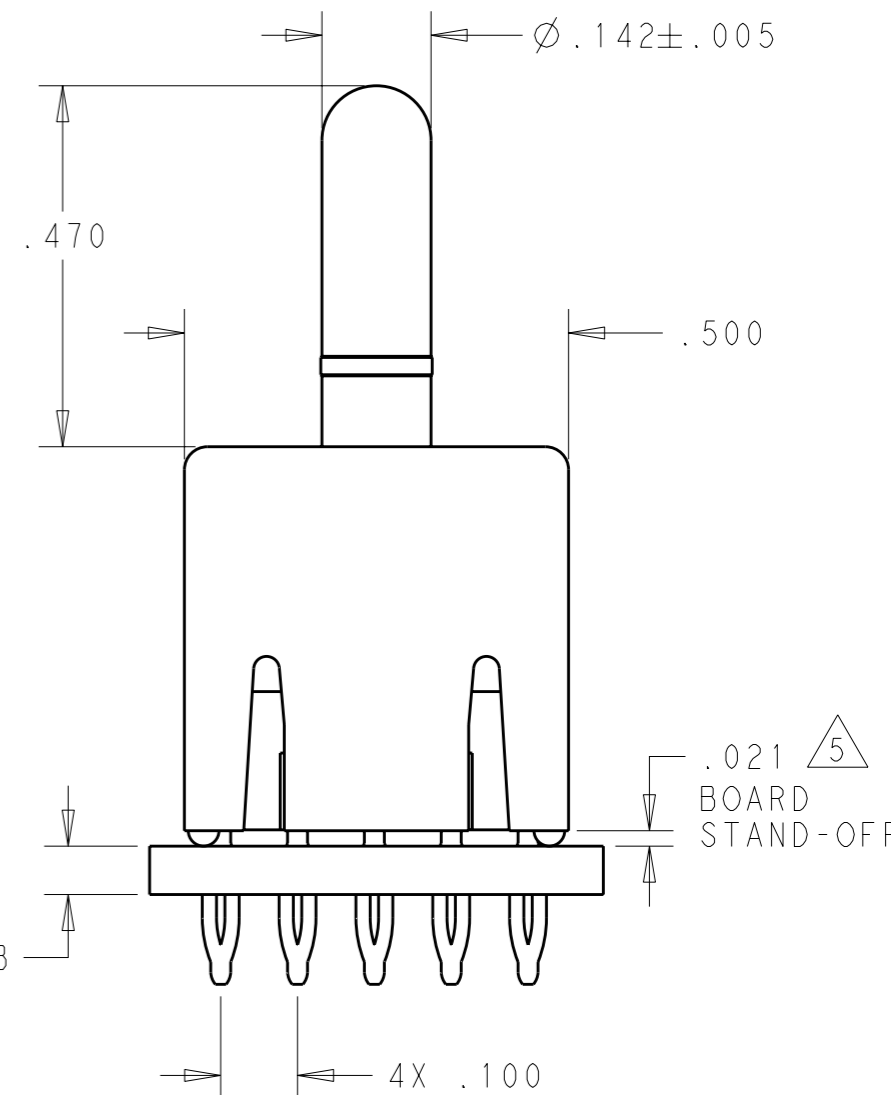
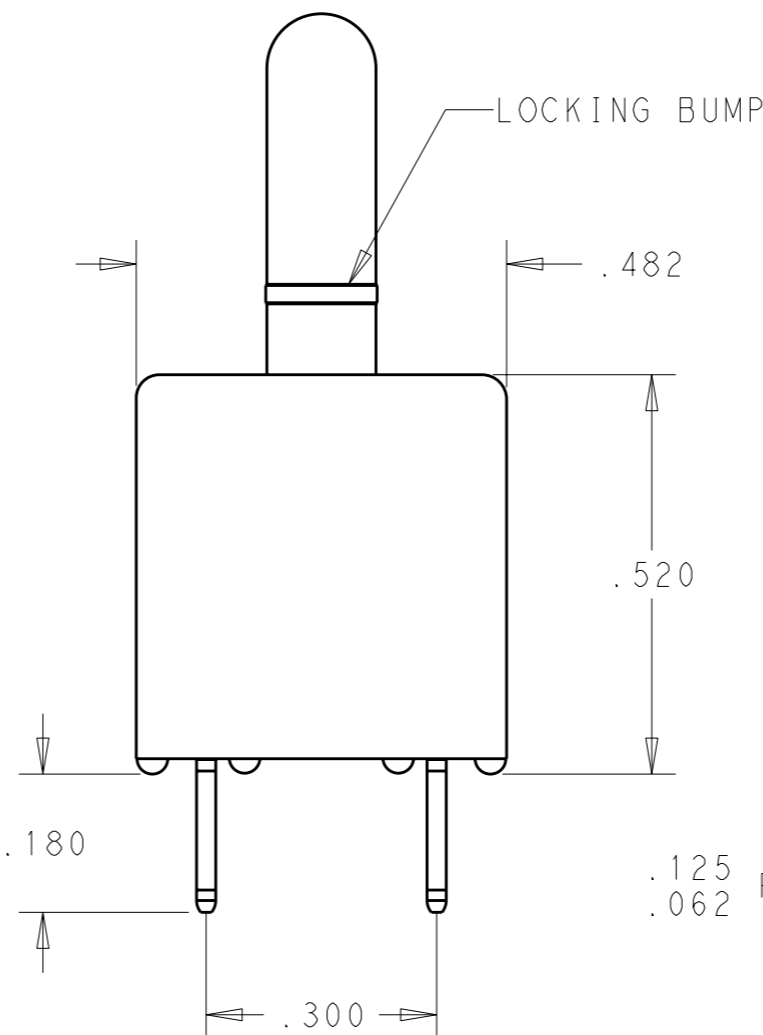
1. PART NUMBER CHANGES AND/OR DESIGN CHANGES AFFECTING ITEM INTERCHANGEABILITY REQUIRE PRIOR TE ELECTRONICS APPROVAL AND AUTHORIZATION BY REVISION TO THIS DRAWING.

2. ITEMS PROVIDED TO THIS SPECIFICATION SHALL BE IDENTIFIED ON THE CONTAINER WITH THE FOLLOWING INFORMATION PART NUMBER AND DATE CODE OF MANUFACTURE.


3. MATERIAL:
 INSULATOR - POLYESTER, GLASS FILLED, UL 94 V-0 RATED, COLOR - BLACK
 MODULE - METAL CASTING
 CROWN - BECU
 COMPLIANT - PHOSPHOR BRONZE
 PIN CONTACT - PHOSPHOR BRONZE

4. FINISH:
 MODULE: SILVER PLATED .000200 MIN THK.
 OVER NICKEL .000040 MIN THK
 CROWN: GOLD PLATED .000030 MIN THK.
 OVER NICKEL .000040 MIN THK
 COMPLIANT: SILVER PLATED .000200 MIN THK.
 OVER NICKEL .000040 MIN THK
 PIN CONTACT: SILVER PLATED .000200 MIN THK.
 OVER NICKEL .000040 MIN THK.

5 A FIVE-POUND (5lb) FORCE REQUIRED TO CORRECTLY SEAT THE CONNECTOR WITH PLATED THRU HOLES LESS THAN $\varnothing .040$.



6643271-1
 PART NUMBER

THIS DRAWING IS A CONTROLLED DOCUMENT.		DWN 11 JAN 2011 LOVATO/GRZYBOWSKI	 TE Connectivity													
DIMENSIONS: INCHES		CHK D. ORRIS														
TOLERANCES UNLESS OTHERWISE SPECIFIED:		APVD 11 JAN 2011 D. ORRIS	NAME CONNECTOR, PIN, PERPENDICULAR 10 PIN FOOTPRINT W/COMPLIANT PIN LOCKING ICCON													
<table border="1"> <tr><td>0 PLC</td><td>±-</td></tr> <tr><td>1 PLC</td><td>±-</td></tr> <tr><td>2 PLC</td><td>±-</td></tr> <tr><td>3 PLC</td><td>±.020</td></tr> <tr><td>4 PLC</td><td>±-</td></tr> <tr><td>ANGLES</td><td>±.5</td></tr> </table>		0 PLC	±-	1 PLC	±-	2 PLC	±-	3 PLC	±.020	4 PLC	±-	ANGLES	±.5	PRODUCT SPEC	SIZE CAGE CODE DRAWING NO RESTRICTED TO	
0 PLC	±-															
1 PLC	±-															
2 PLC	±-															
3 PLC	±.020															
4 PLC	±-															
ANGLES	±.5															
MATERIAL - FINISH -		APPLICATION SPEC	A300779 C-6643271													
		WEIGHT -	SCALE 4:1 SHEET 1 OF 1 REV C													
		CUSTOMER DRAWING														