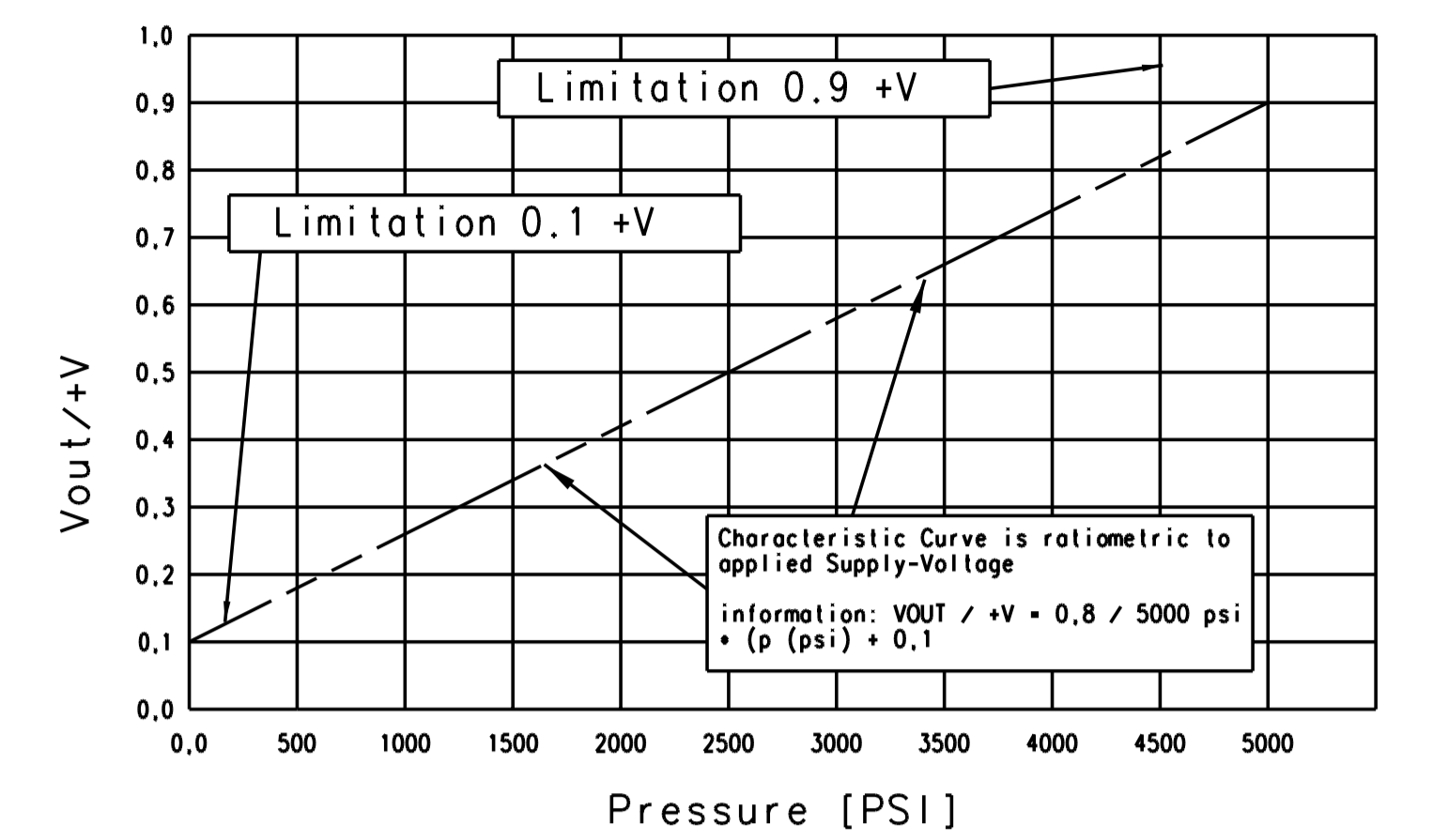


Part	Material
Contact pin	CDA 210 (brass)
Surface Treatment	Tin
Connector body - black	PBT 30% GF
Sensor housing	1215 Steel
Housing plating	Zinc
O-ring	EPDM
Pressure Port	17-4 Stainless Steel

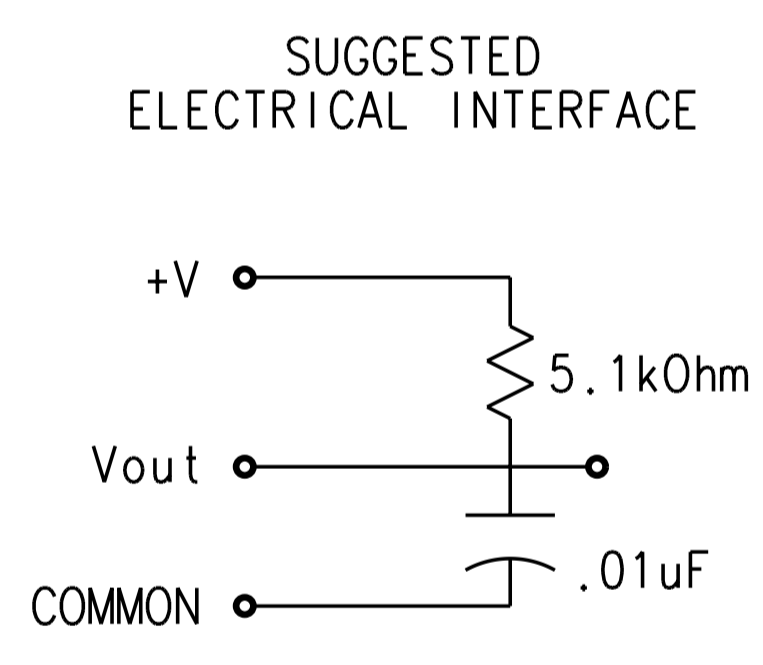
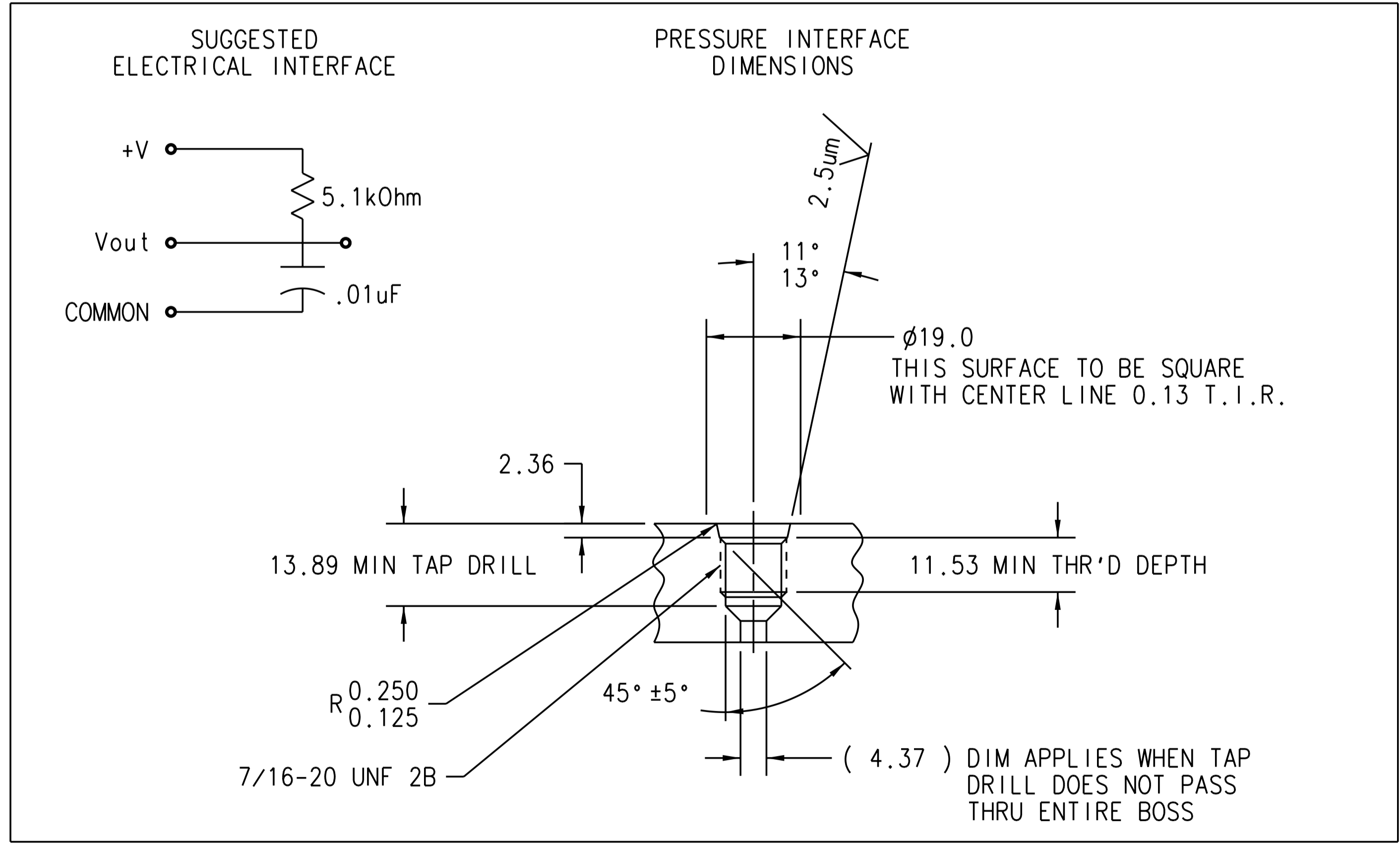
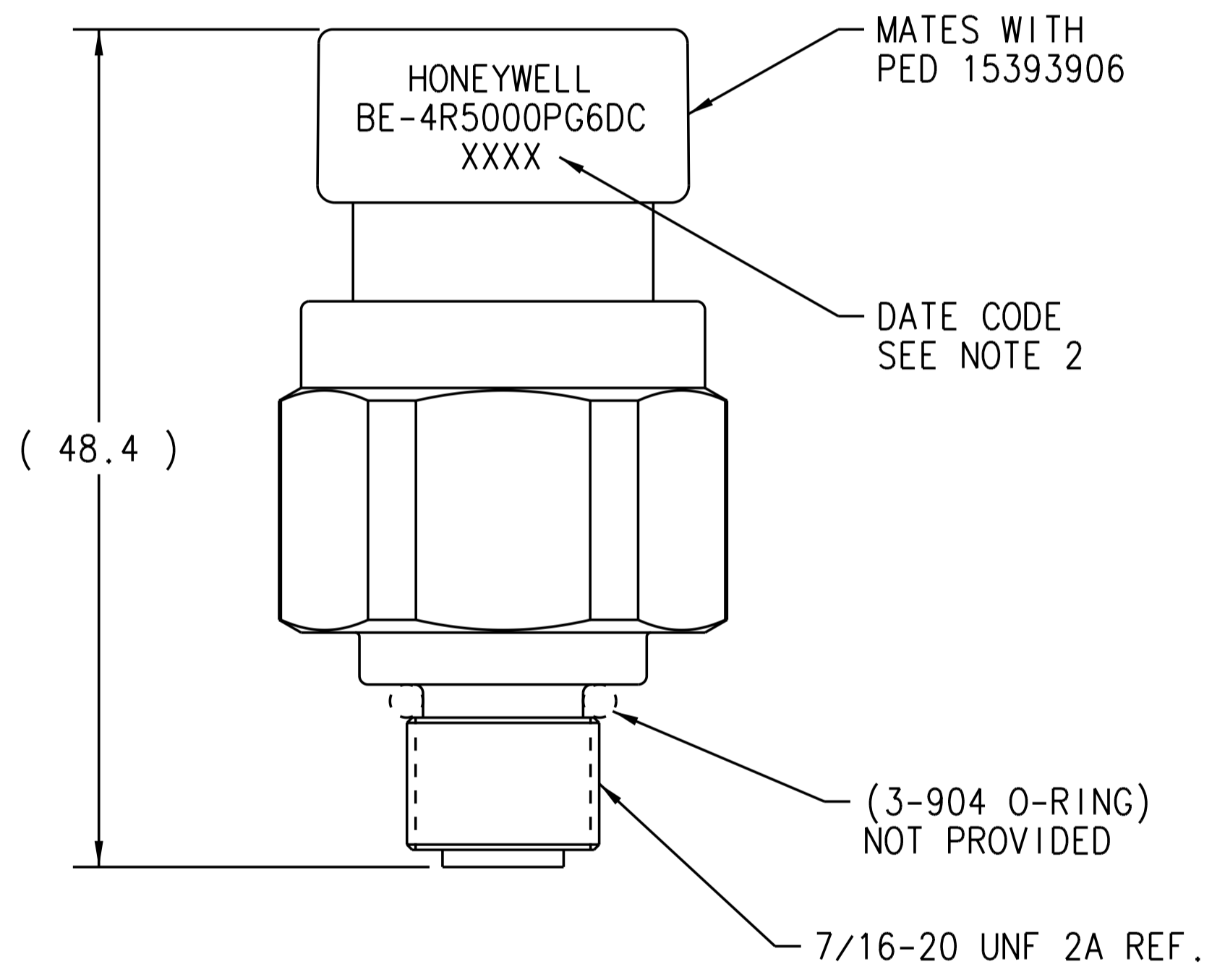
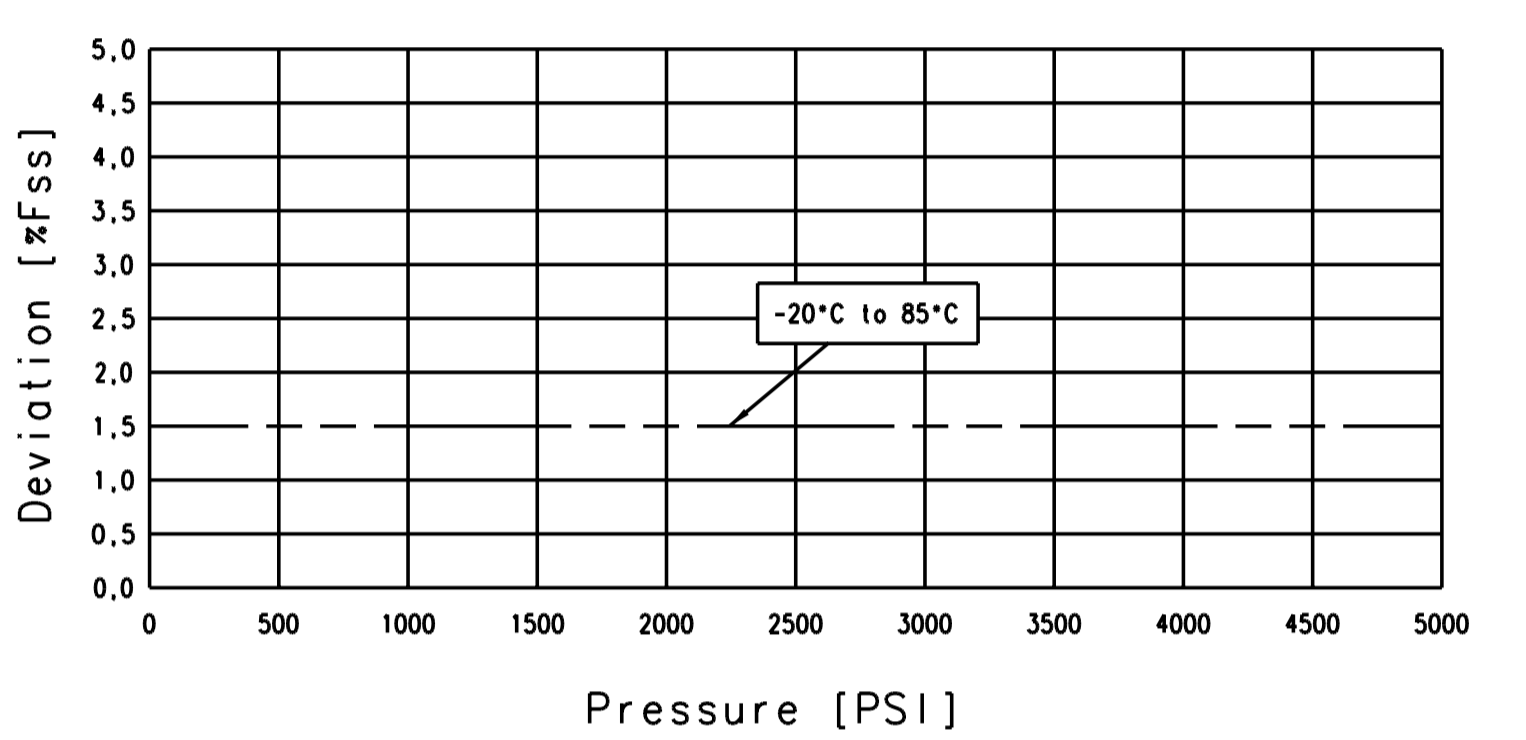
Transfer Characteristics of Pressure Signal



Specifications:

Maximum Tightening Torque	20 Nm
Recommended Tightening Torque	15 Nm
Current Consumption	10 mA
Supply Voltage	4.75 to 5.25 VDC
Output Current	2 kOhm min Load
Burst Pressure	15,000 PSI
Proof Pressure	10,000 PSI
This Sensor is Reverse Polarity/Overtoltage Protected to 14V	
Temperature Range	-20°C to 85°C

Tolerances of Pressure Signal over Pressure



- NOTES:
- DATE CODE CONTAINS 4 DIGITS (XXXX) THE FIRST DIGIT SIGNIFIES THE YEAR THE LAST THREE DIGITS SIGNIFY THE DATE OF THE YEAR
  - VALIDATED TO TEST SPEC. 88842055

THIS DRAWING AND SPECIFICATIONS ARE THE PROPERTY OF HONEYWELL SENSING AND CONTROL AND SHALL NOT BE REPRODUCED, COPIED, OR USED AS THE BASIS FOR MANUFACTURE OR SALE OF APPARATUS OR DEVICES WITHOUT WRITTEN PERMISSION OF HONEYWELL SENSING AND CONTROL.		DRAWING TO BE INTERPRETED USING ASME Y14.5M-1994 CHANGES TO BE DONE ON CAD SYSTEM ONLY		<input type="checkbox"/> INCH <input checked="" type="checkbox"/> MM TOLERANCE 1 PLACE ± 2 PLACE ± 3 PLACE ± ANGULAR ± DWG. SIZE C	DRAWN EER 04/04/02 CHECKED T.PHAM 04/04/02 ENG. APP. T.PHAM 05/24/02 E.R.N. 44108 05/24/02 SCALE 2:1	<b>Honeywell</b> Sensing and Control 1100 Airport Road Shelby, NC 28150-3699
MAKE FROM		MATERIAL		PART NAME		
FINISH		FINISH		FINAL ASSEMBLY 5000 PSI CRS PRESSURE SENSOR		
O1 ADDED CHARTS AND DATA		JAS 03/05/03	TP 00295	PART NO. 17650084		
CH.	CHANGE DESCRIPTION	CHG'D BY	DATE	CHANGE 01		
		APP'D BY	ECN#			