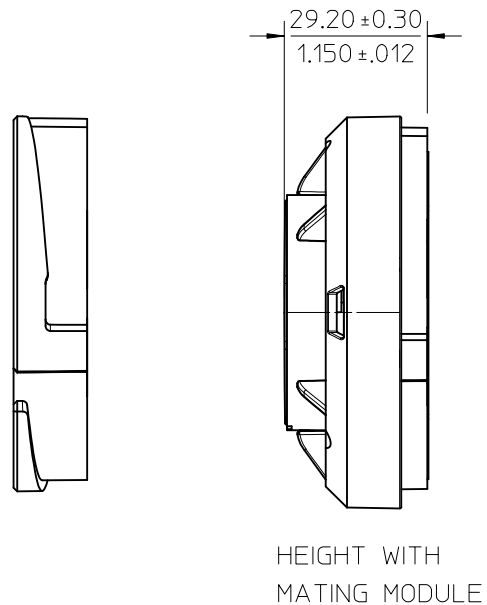
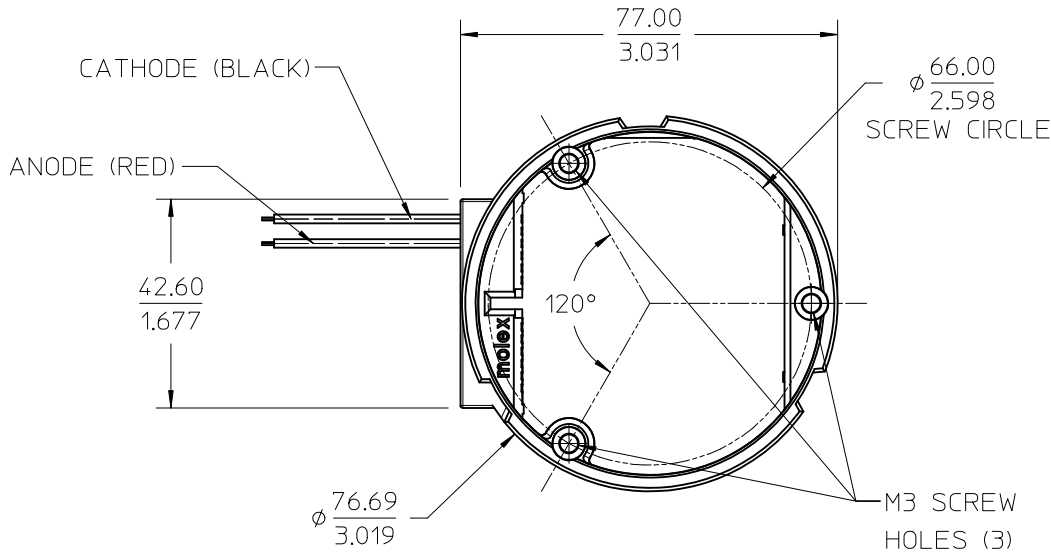
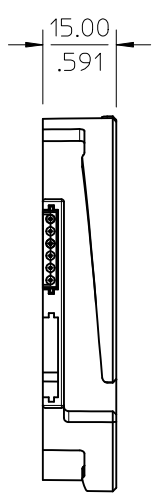
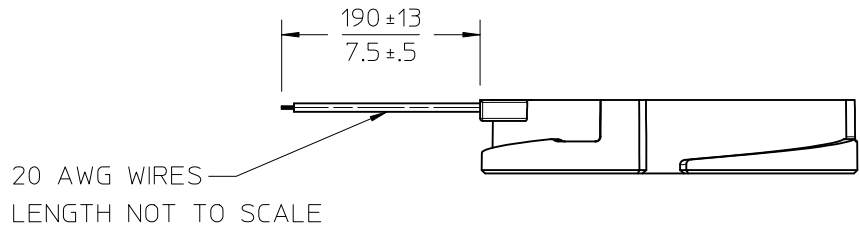


10 9 8 7 6 5 4 3 2 1



NOTES:

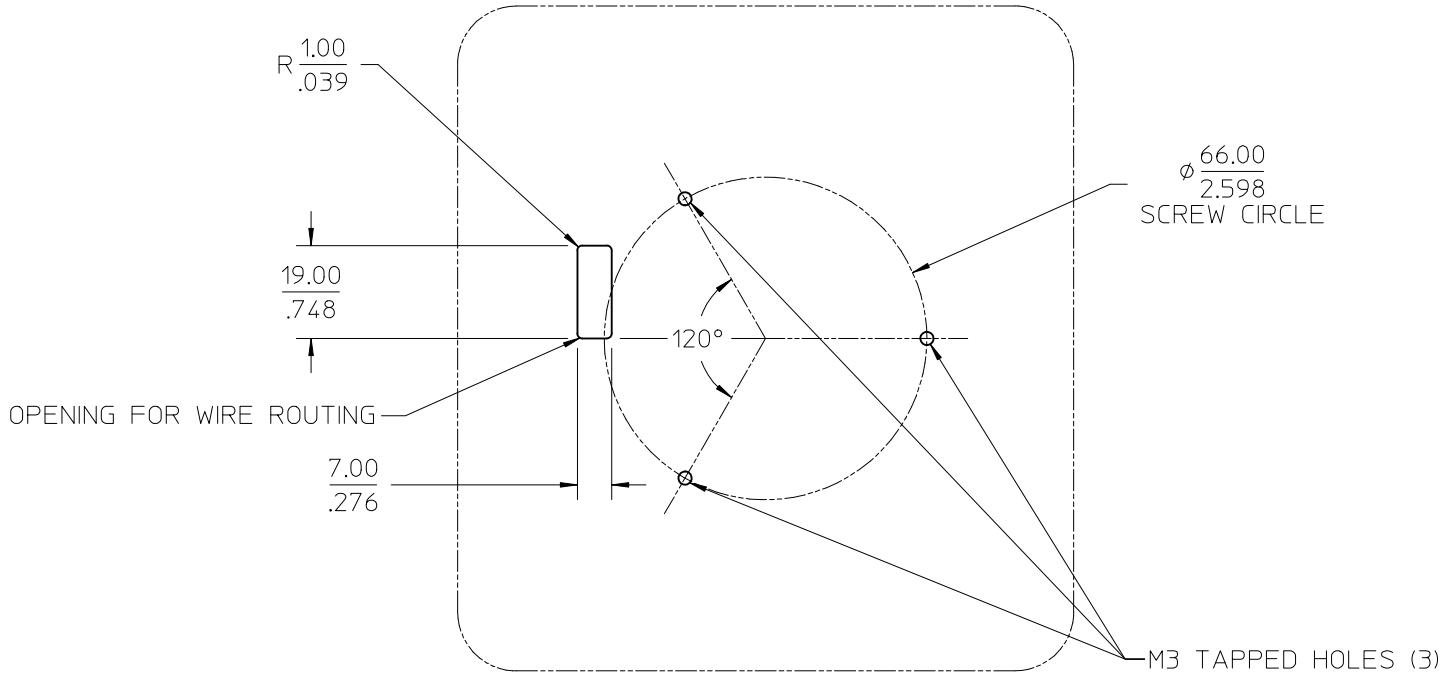
- 1) MATES TO HELIEON MODULE 180081-****
SEE SHEET 2 FOR DIMENSIONS WITH MODULE.
- 3) SOCKET TO BE MOUNTED TO FLAT SURFACE.
SEE SHEET 3 FOR MOUNTING DIMENSIONS.
- 3) ASSEMBLY IS SHIPPED WITH WIRES ROUTED STRAIGHT OUT. WIRES MAY BE BENT 90° TO ROUTE DOWN. SEE SHEET 4 FOR ROUTING INSTRUCTIONS.
- 4) WIRE LENGTH SHOWN NOT TO SCALE.

ENTER DESCRIPTION EC NO: SSL2011-0005 DRW: DMCGOWAN 2010/07/27 CHKD: 2010/08/10 APPR: DMCGOWAN 2010/08/10	DESCRIPTION REV	QUALITY SYMBOLS	GENERAL TOLERANCES (UNLESS SPECIFIED)	DIMENSION STYLE	SCALE	DESIGN UNITS	THIRD ANGLE PROJECTION		
		$\nabla = 0$ $\nabla = 0$ $\nabla = 0$	mm INCH 4 PLACES ± --- ± --- 3 PLACES ± --- ± .005 2 PLACES ± 0.13 ± .01 1 PLACE ± 0.25 ± --- ANGULAR ± 1/2°	MM/IN	1:1	METRIC	DRAWN BY DATE MCGOWAN 2010/02/08 CHECKED BY DATE APPROVED BY DATE DMCGOWAN 2010/03/22	TITLE HELIEON 80MM SOCKET SALES DRAWING	
		DRAFT WHERE APPLICABLE MUST REMAIN WITHIN DIMENSIONS	MATERIAL NO. 180080-0000	DOCUMENT NO. SD-180080-000	Molex MOLEX INCORPORATED		SHEET NO. 1 OF 3		
		A1	SIZE B	THIS DRAWING CONTAINS INFORMATION THAT IS PROPRIETARY TO MOLEX INCORPORATED AND SHOULD NOT BE USED WITHOUT WRITTEN PERMISSION					

9 8 7 6 5 4 3 2 1

10 9 8 7 6 5 4 3 2 1

NOTES:
 1) MOUNTING SURFACE SHALL BE FLAT WITHIN 0.13 MM/.005 INCH.

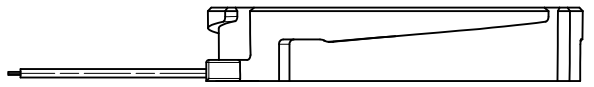
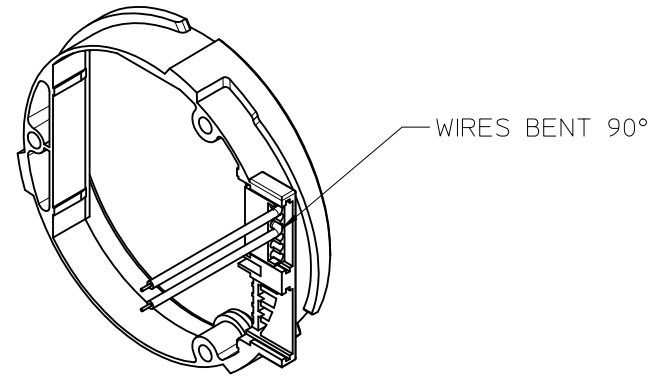
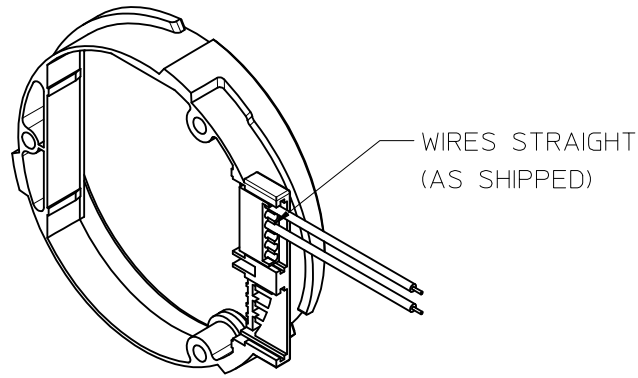


RECOMMENDED MOUNTING DIMENSIONS

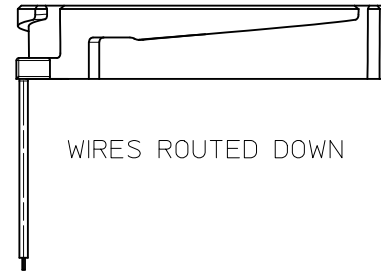
ENTER DESCRIPTION EC NO: SSL2011-0005 DRAWN:DMCGOWAN 2010/07/27 CHKD: 2010/08/10 APPR:DMCGOWAN 2010/08/10 REV A1	QUALITY SYMBOLS	GENERAL TOLERANCES (UNLESS SPECIFIED)		DIMENSION STYLE MM/IN		SCALE 1:1	DESIGN UNITS METRIC	THIRD ANGLE PROJECTION	
	$\nabla Z=0$	mm	INCH	DRAWN BY MCGOWAN	DATE 2010/02/08	TITLE HELION 80MM SOCKET SALES DRAWING	MATERIAL NO. 180080-0000	DOCUMENT NO. SD-180080-000	SHEET NO. 2 OF 3
	$\nabla Y=0$	4 PLACES ± ---	± ---	CHECKED BY	DATE				
	$\nabla X=0$	3 PLACES ± ---	± .005	APPROVED BY DMCGOWAN		DATE 2010/03/22	MOLEX INCORPORATED		
$\nabla F=0$	2 PLACES ± 0.13	± .01	DRAFT WHERE APPLICABLE MUST REMAIN WITHIN DIMENSIONS		THIS DRAWING CONTAINS INFORMATION THAT IS PROPRIETARY TO MOLEX INCORPORATED AND SHOULD NOT BE USED WITHOUT WRITTEN PERMISSION				
		1 PLACE ± 0.25	± ---	ANGULAR ± 1/2°					

9 8 7 6 5 4 3 2 1

10 9 8 7 6 5 4 3 2 1



WIRES ROUTED STRAIGHT OUT



WIRES ROUTED DOWN

WIRE ROUTING OPTIONS

ENTER DESCRIPTION EC NO: SSL2011-0005 DRW:DMCGOWAN 2010/07/27 CHKD: 2010/08/10 APPR:DMCGOWAN 2010/08/10	QUALITY SYMBOLS ▽/0 ▽/0 ▽/0	GENERAL TOLERANCES (UNLESS SPECIFIED)		DIMENSION STYLE MM/IN	SCALE 1:1	DESIGN UNITS METRIC	THIRD ANGLE PROJECTION
		4 PLACES ± --- ± ---	DRAWN BY DATE MCGOWAN 2010/02/08	TITLE HELICON 80MM SOCKET SALES DRAWING			
		3 PLACES ± --- ± .005	CHECKED BY DATE	MOLEX INCORPORATED			
		2 PLACES ± 0.13 ± .01	APPROVED BY DATE DMCGOWAN 2010/03/22	MATERIAL NO. 180080-0000	DOCUMENT NO. SD-180080-000	SHEET NO. 3 OF 3	
1 PLACE ± 0.25 ± ---	ANGULAR ± 1/2°	DRAFT WHERE APPLICABLE MUST REMAIN WITHIN DIMENSIONS		THIS DRAWING CONTAINS INFORMATION THAT IS PROPRIETARY TO MOLEX INCORPORATED AND SHOULD NOT BE USED WITHOUT WRITTEN PERMISSION			
REV A1	DESCRIPTION			SIZE B			

9 8 7 6 5 4 3 2 1