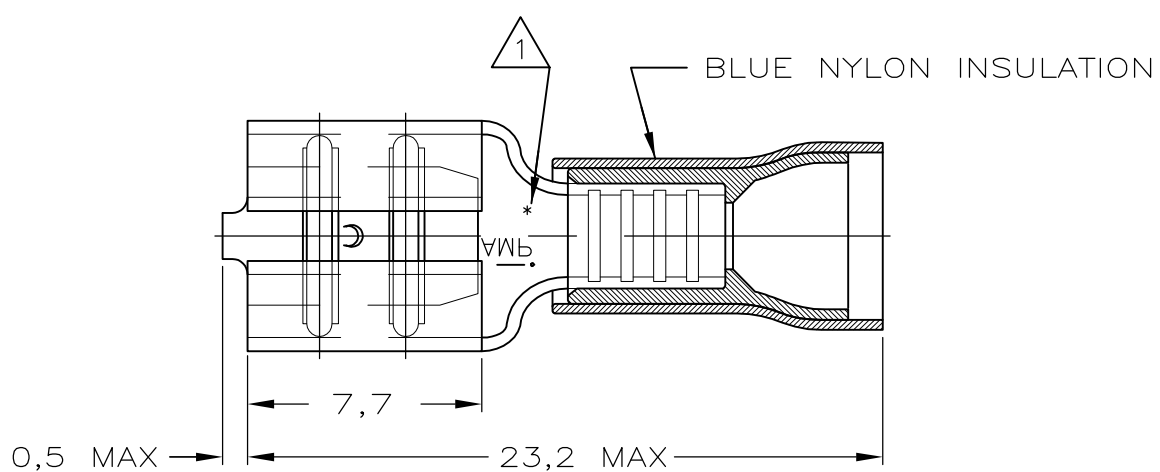


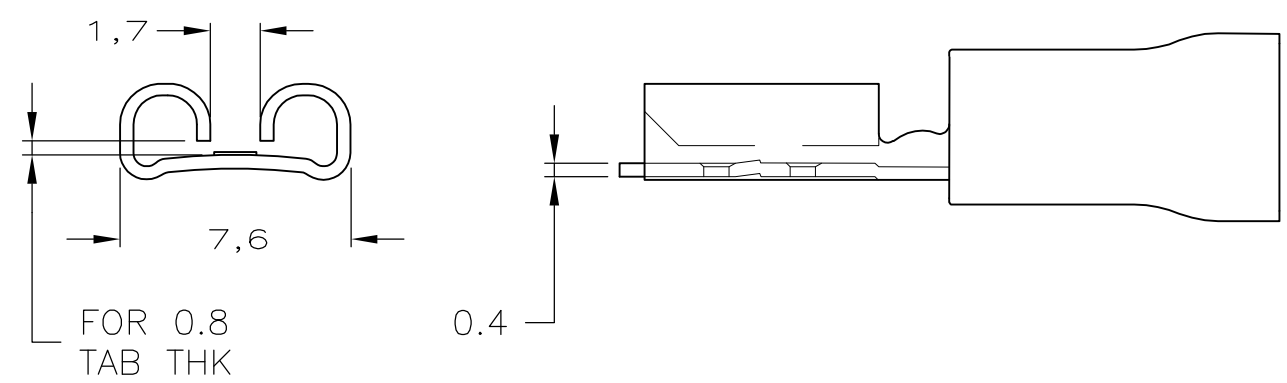
THIS DRAWING IS UNPUBLISHED. RELEASED FOR PUBLICATION
 © COPYRIGHT - By - ALL RIGHTS RESERVED.

LOC	DIST	REVISIONS					
G	86	P	LTR	DESCRIPTION	DATE	DWN	APVD
			H3	REVISED PER ECO-11-004820	11MAR11	RK	HMR



NOTES

- 1 ASTERISK * FOR PH.BRONZE VERSIONS ONLY.
- 2 WIRE RANGE: 1,0-2,6mm². INSUL. RANGE: 4,3mm MAX. DIA..
- 3 OBSOLETE WITHOUT REPLACEMENT



PACKAGE TYPE		FINISH	MATERIAL	PARTNUMBER
TAPE MOUNTED	1	GOLDPLATED	PH.BRONZE	5-160313-7 3
	1	SILVERPLATED	PH.BRONZE	5-160313-6 3
	1	TINPLATED	PH.BRONZE	5-160313-5
		GOLDPLATED	BRASS	5-160313-4 3
		SILVERPLATED	BRASS	5-160313-3 3
		TINPLATED	BRASS	5-160313-2
LOOSE PIECE	1	TIN-LEAD	PH.BRONZE	9-160313-8 3
	1	GOLDPLATED	PH.BRONZE	9-160313-7 3
	1	SILVERPLATED	PH.BRONZE	9-160313-6
	1	TINPLATED	PH.BRONZE	9-160313-5
		GOLDPLATED	BRASS	9-160313-4 3
		SILVERPLATED	BRASS	9-160313-3 3
		TINPLATED	BRASS	9-160313-2

THIS DRAWING IS A CONTROLLED DOCUMENT.		DWN JR RUTH 08OCT04	TE Connectivity			
DIMENSIONS: mm		CHK T MICHELUTTI 08OCT04				
TOLERANCES UNLESS OTHERWISE SPECIFIED:		APVD T MICHELUTTI 08OCT04	NAME .250 SRS P.I.D.G. FASTON REC.			
0 PLC ± - 1 PLC ± - 2 PLC ± 0.38 3 PLC ± - 4 PLC ± - ANGLES ± -		PRODUCT SPEC -	-			
MATERIAL		APPLICATION SPEC -	SIZE A3	CAGE CODE 00779	DRAWING NO C-160313	RESTRICTED TO -
FINISH		WEIGHT -	CUSTOMER DRAWING		SCALE -	SHEET 1 OF 1
					REV H3	