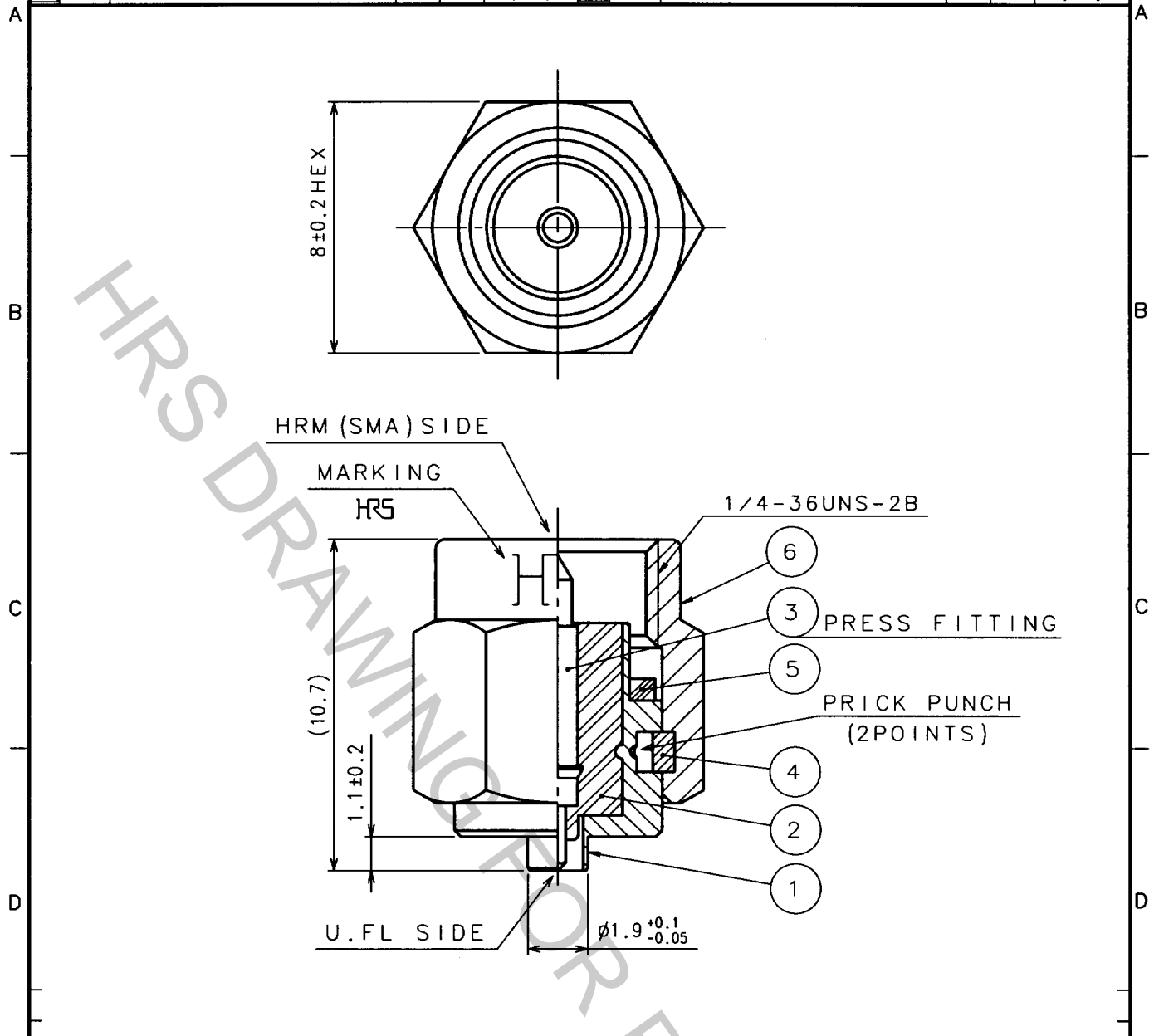


1	2			3			4		
COUNT	DESCRIPTION OF REVISIONS	BY	CHKD	DATE	COUNT	DESCRIPTION OF REVISIONS	BY	CHKD	DATE
△				..	△				..
△				..	△				..
△				..	△				..



NOTE. USE ONLY FOR ELECTRICAL MEASUREMENT  
BECAUSE OF NO LOCKING DEVICE IN MATING  
PORTION ON U.FL SIDE.

3	BERYLLIUM COPPER	GOLD PLATING	6	STAINLESS STEEL	PASSIVATE
2	PTFE		5	SILICONE RUBBER	(RED)
1	STAINLESS STEEL	NICKEL PLATING	4	BERYLLIUM COPPER	NICKEL PLATING
NO.	MATERIAL	FINISH, REMARKS	NO.	MATERIAL	FINISH, REMARKS

CODE NO. (OLD) CL396-4817-0		DRAWN <i>K. Ikeda</i> '00.07.10	DESIGNED <i>K. Ikeda</i> '00.07.10	CHECKED <i>M. Yamane</i> '00.07.10	APPROVED <i>K. Kobayashi</i> '00.07.10	RELEASED
--------------------------------	--	---------------------------------------	------------------------------------------	------------------------------------------	----------------------------------------------	----------

 SCALE 5 : 1 UNITS mm	DRAWING NO. EDC4-136923	PART NO. HRMP-U.FLJ-2
	 HIROSE ELECTRIC CO., LTD.	CODE NO. CL311-0336-0

TO  
RF