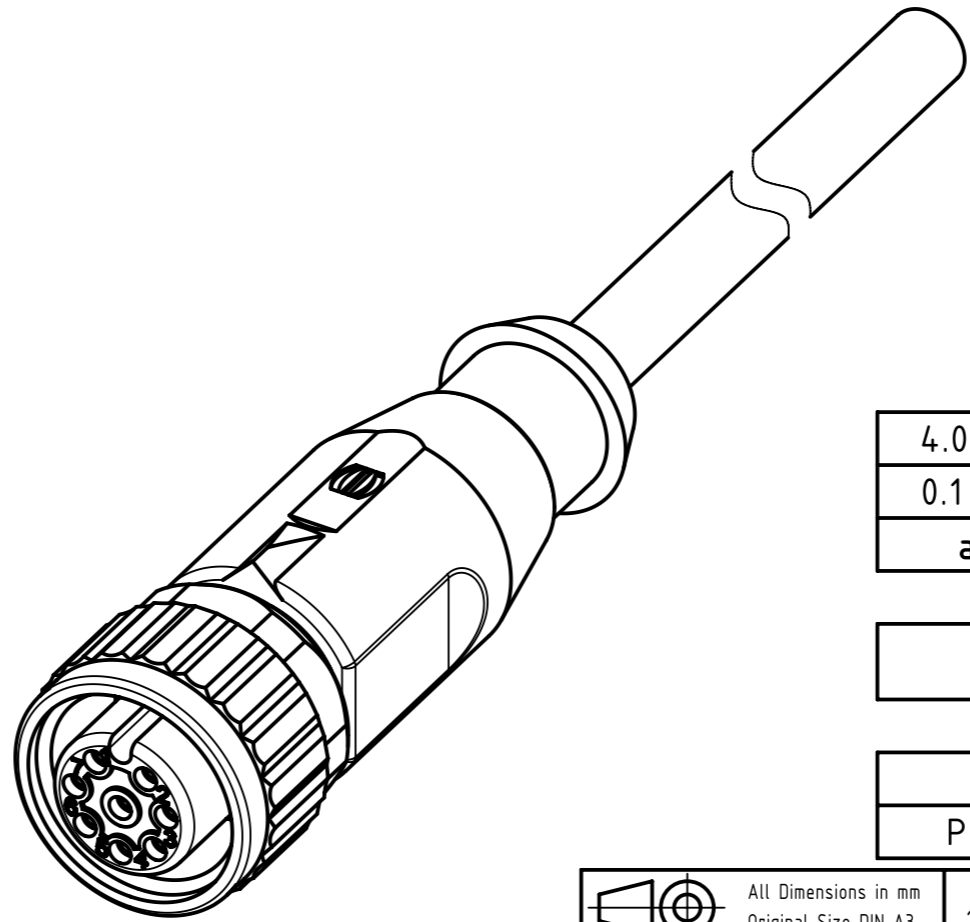
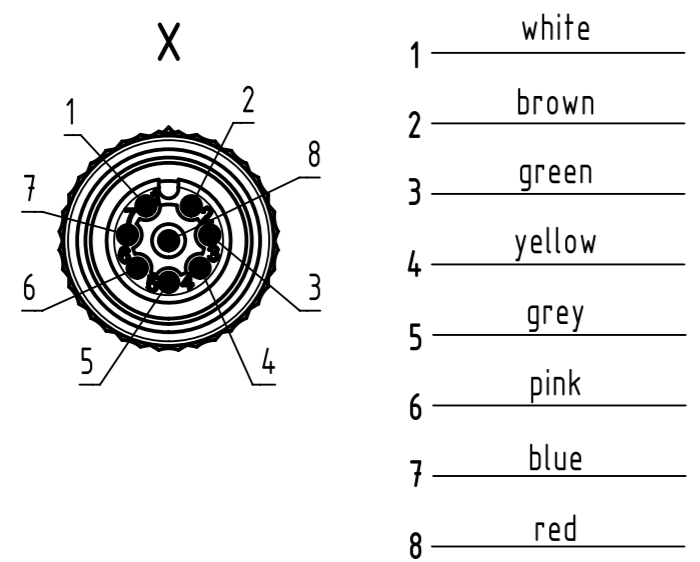


Loading-Plan:



- Protection level: IP67
 - Temperature range: -25°C ... +80°C

length in "1m" step	40	XXX=400
	39	XXX=390

	12	XXX=120
	11	XXX=110
length in "0.1m" step	10	XXX=100
	9.9	XXX=099
	9.8	XXX=098

	0.4	XXX=004
	0.3	XXX=003
	0.2	XXX=002
0.1	XXX=001	
Step	a [m]	XXX

4.0 to 40	+1%
0.1 to 3.9	+0.04
a [m]	Tolerance

Part no.	213485008XXXXX
Type of cable	XX
PVC grey, 8x0.25mm ²	XX=82

All Dimensions in mm Original Size DIN A3		Scale 2:1	Free size tol.		Ref. Sub.
All rights reserved Department EC PD - RO	Created by TAMAS	Inspected by AVRAM	Standardisation HOFFMANN	Date 2014-07-01	State Final Release
	Title M12 A-coded Cable Assembly				Doc-Key / ECM-Nr. 100578933/UGD/009/A 50000076579
HARTING Electronics GmbH D-32339 Espelkamp		Type TB	Number 213485008XXXXX		Rev. A Page 1/1