

**Product number C10366_PLATINUMROCKET-3-SS**

Family	Martha	FWHM	14 degrees
Type	Lens array	Efficiency	-
LED	XR-E	cd/lm	-
Color	Clear	Gerber File	Available
Diameter	50 mm	MR16 applications	
Height	15.6 mm		
Style	Round		
Optic Material	PMMA		
Holder Material	-		
Fastening	["pin", "glue"]		
Status	Production ready		

Product number C10367_PLATINUMROCKET-3-M

Family	Martha	FWHM	20 degrees
Type	Lens array	Efficiency	-
LED	XR-E	cd/lm	-
Color	Clear	Gerber File	Available
Diameter	50 mm	MR16 applications	
Height	15.6 mm		
Style	Round		
Optic Material	PMMA		
Holder Material	-		
Fastening	["pin", "glue"]		
Status	Production ready		

Product number C10365_PLATINUMROCKET-3-W

Family	Martha	FWHM	40 degrees
Type	Lens array	Efficiency	-
LED	XR-E	cd/lm	-
Color	Clear	Gerber File	Available
Diameter	50 mm	MR16 applications	
Height	15.6 mm		
Style	Round		
Optic Material	PMMA		
Holder Material	-		
Fastening	["pin", "glue"]		
Status	Production ready		

NOTE: The typical divergence will be changed by different color, chip size and chip position tolerance. The typical total divergence is the full angle measured where the luminous intensity is half of the peak value.



PRODUCT DATASHEET

Martha series

last update 4/1/2013

GENERAL INFORMATION

- Product series especially designed & optimized for XR-E series of LEDs.
- Special care taken to make light distribution as uniform as possible.
- Lens material optical grade PMMA with high UV and temperature resistance. Allows use of high current and temperature conditions.

Please find more information about used material from below:

http://ledil.fi/sites/default/files/Documents/Technical/Material/PMMA%20N%20UL94_Yellow%20Card.pdf

<http://ledil.fi/sites/default/files/Documents/Technical/Material/PMMA%20N%20PLEXIGLAS-Datasheet.pdf>

D

C

B

A

4

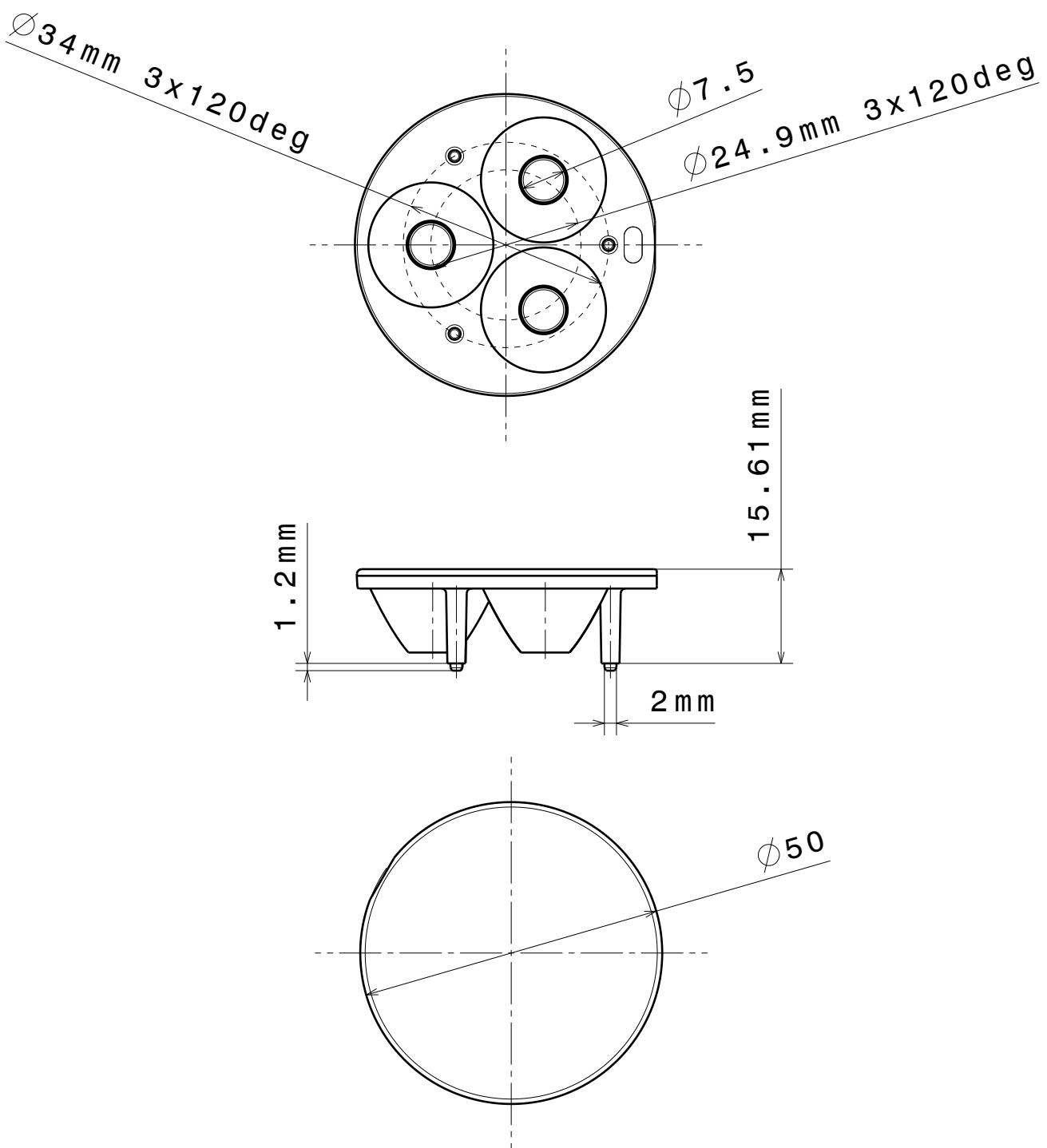
4

3

3

2

2



Material: PMMA Clear

This drawing is our property. It can't be reproduced or communicated without our written agreement.



Ledil Oy
Salorankatu 10
FIN-24100 SALO
Finland

DRAWING TITLE

Rocket3 / Martha

DRAWN BY
ah

DATE
8.11.2013

CHECKED BY
X

DATE
8.11.2013

SIZE
A4

DRAWING NUMBER

REV
1

DESIGNED BY
hh

DATE
29.05.2007

SCALE 1:1 WEIGHT (g)

SHEET 1/1

D

A

1

1