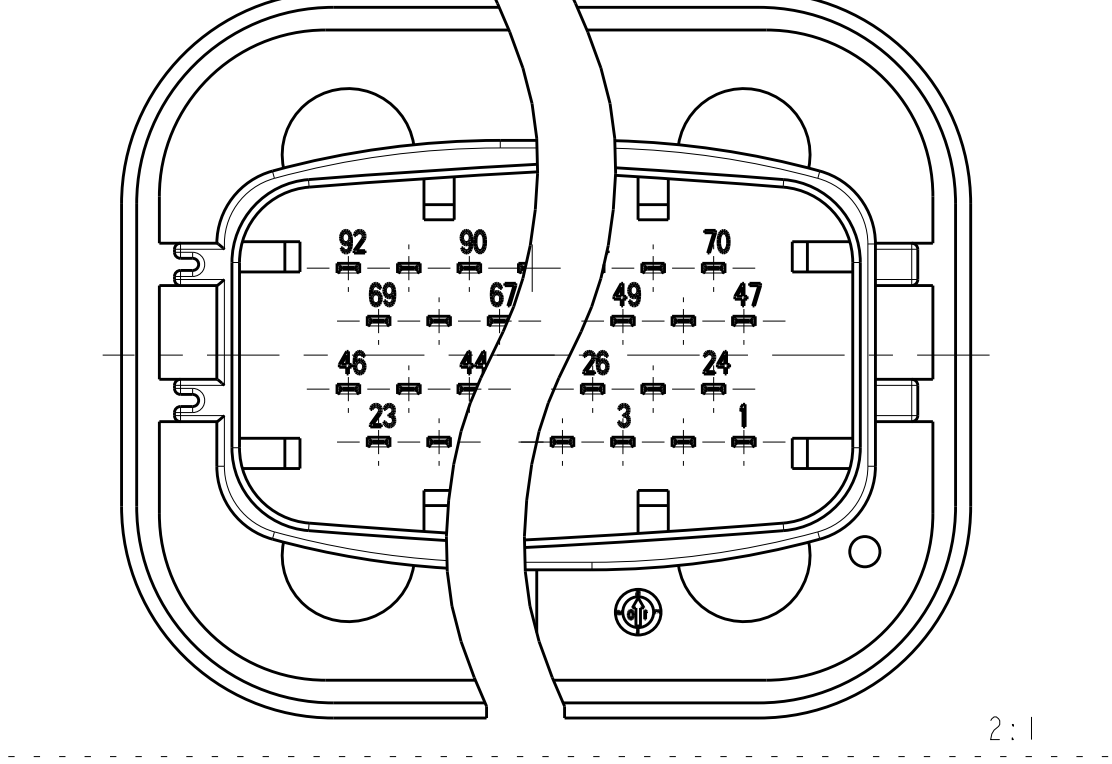


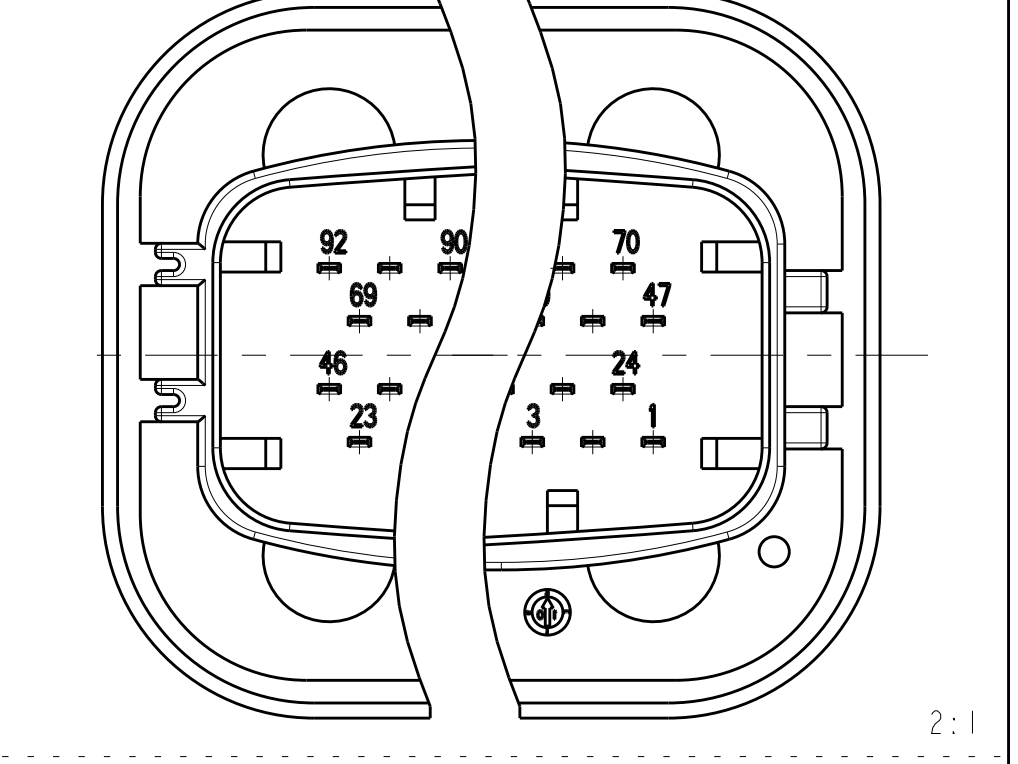
LOC	DIST	REVISIONS			
A1	-	REV	DATE	BY	APPV
EGATN10070	B1	CODING B AND C ADDED	18NOV2010	RM	PN1
	B2	MATERIAL RECESSES OF THE ADJUSTED	24MAR2011	RM	PN1
	C	Sealing material replaced by follow-up material	02AUG2012	KK	TW1

CONVERSION KIT FOR CODINGS
 Umbausaetze fuer Kodierungen

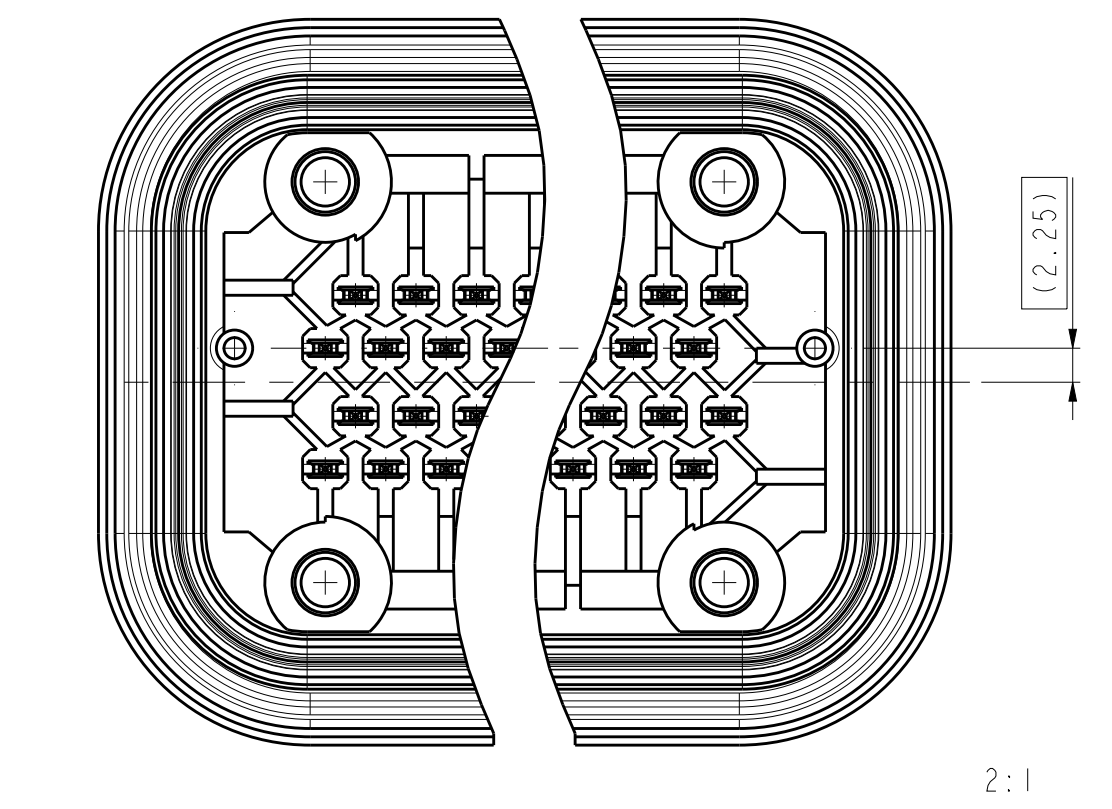
CODING A INTERFACE PN 0-
 Kodierung A Kragen



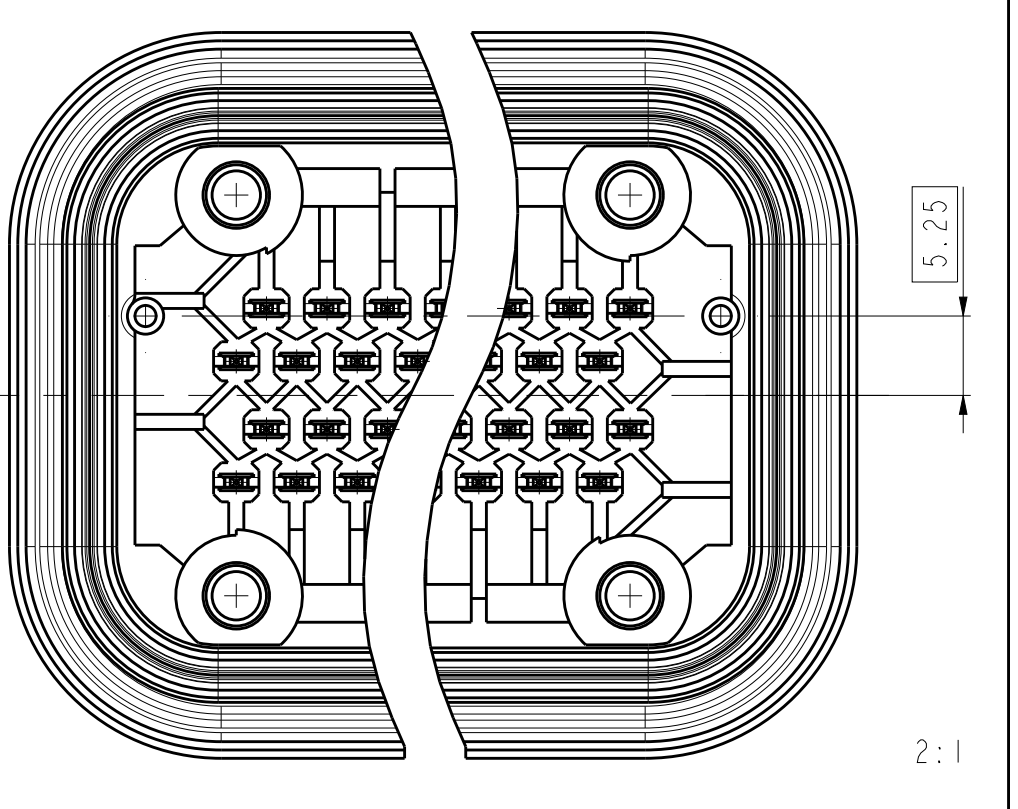
CODING B INTERFACE PN 0-
 Kodierung B Kragen



CODING A PCB
 Kodierung A Leiterplatte

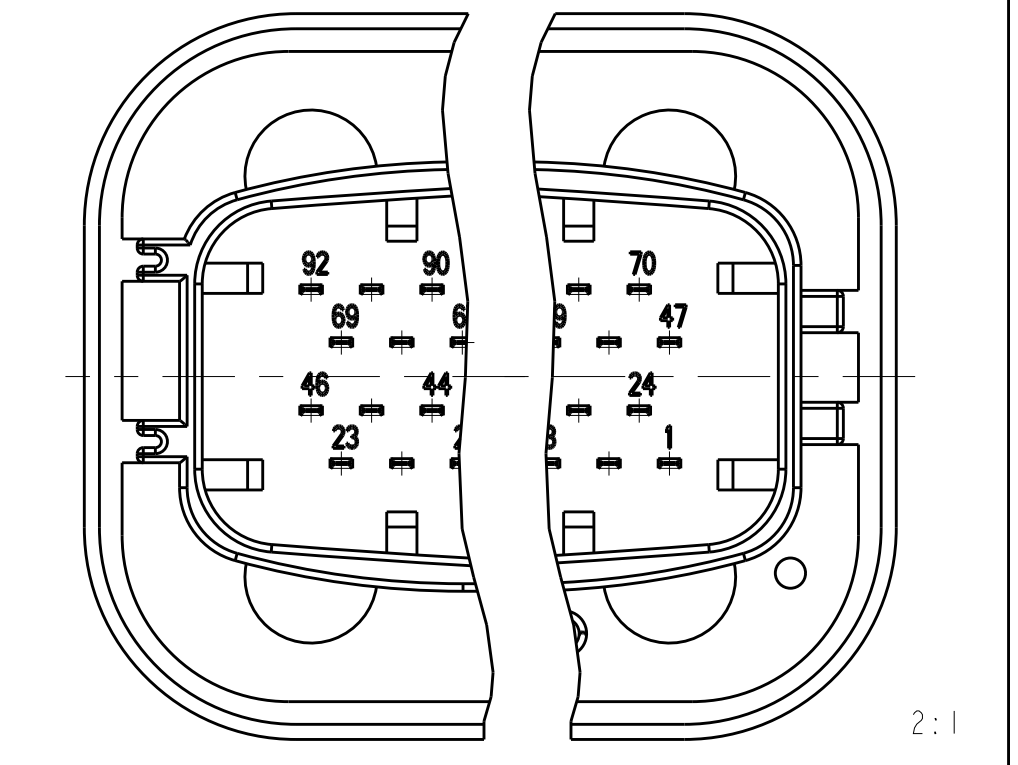


CODING B PCB
 Kodierung B Leiterplatte

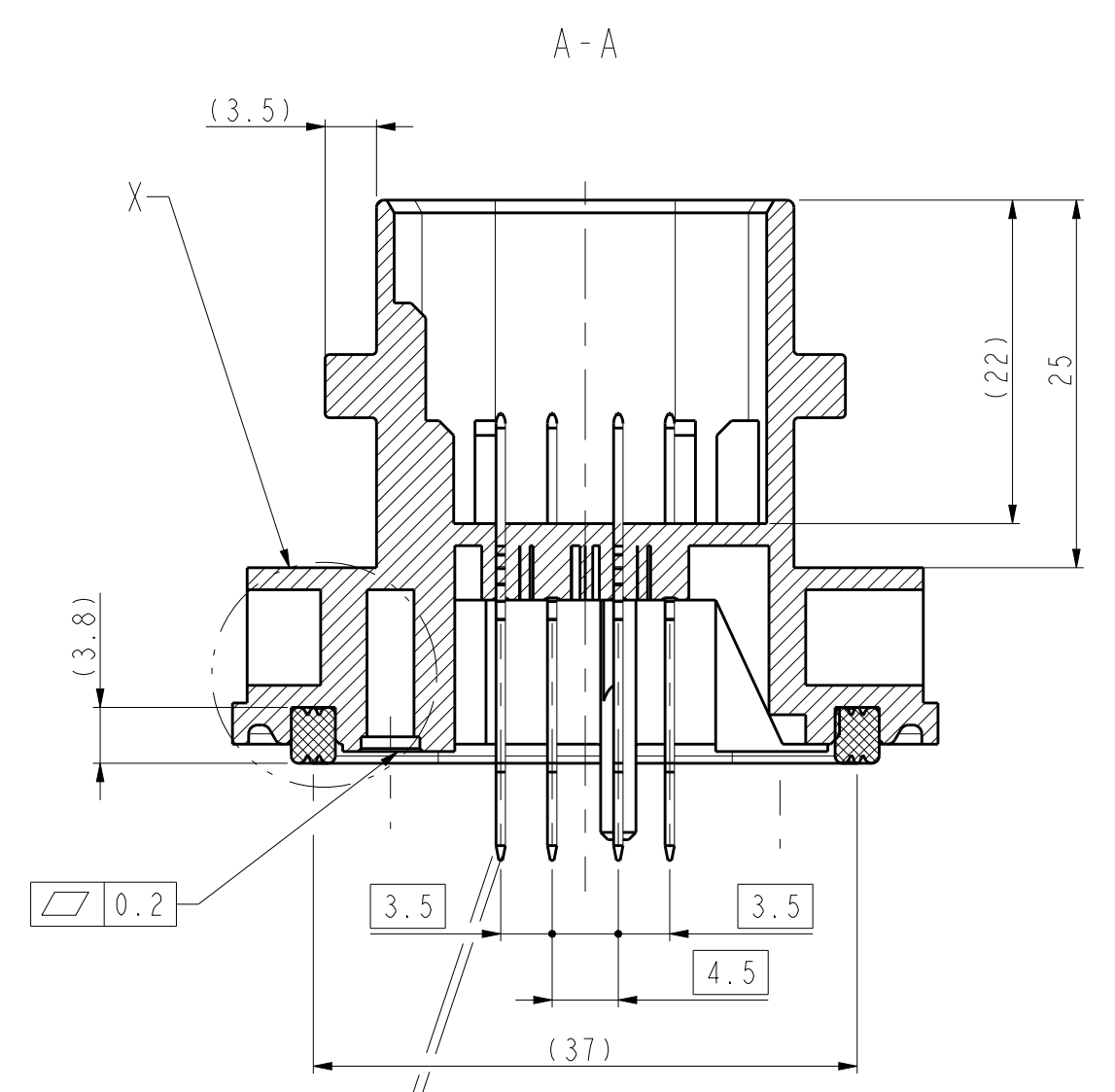
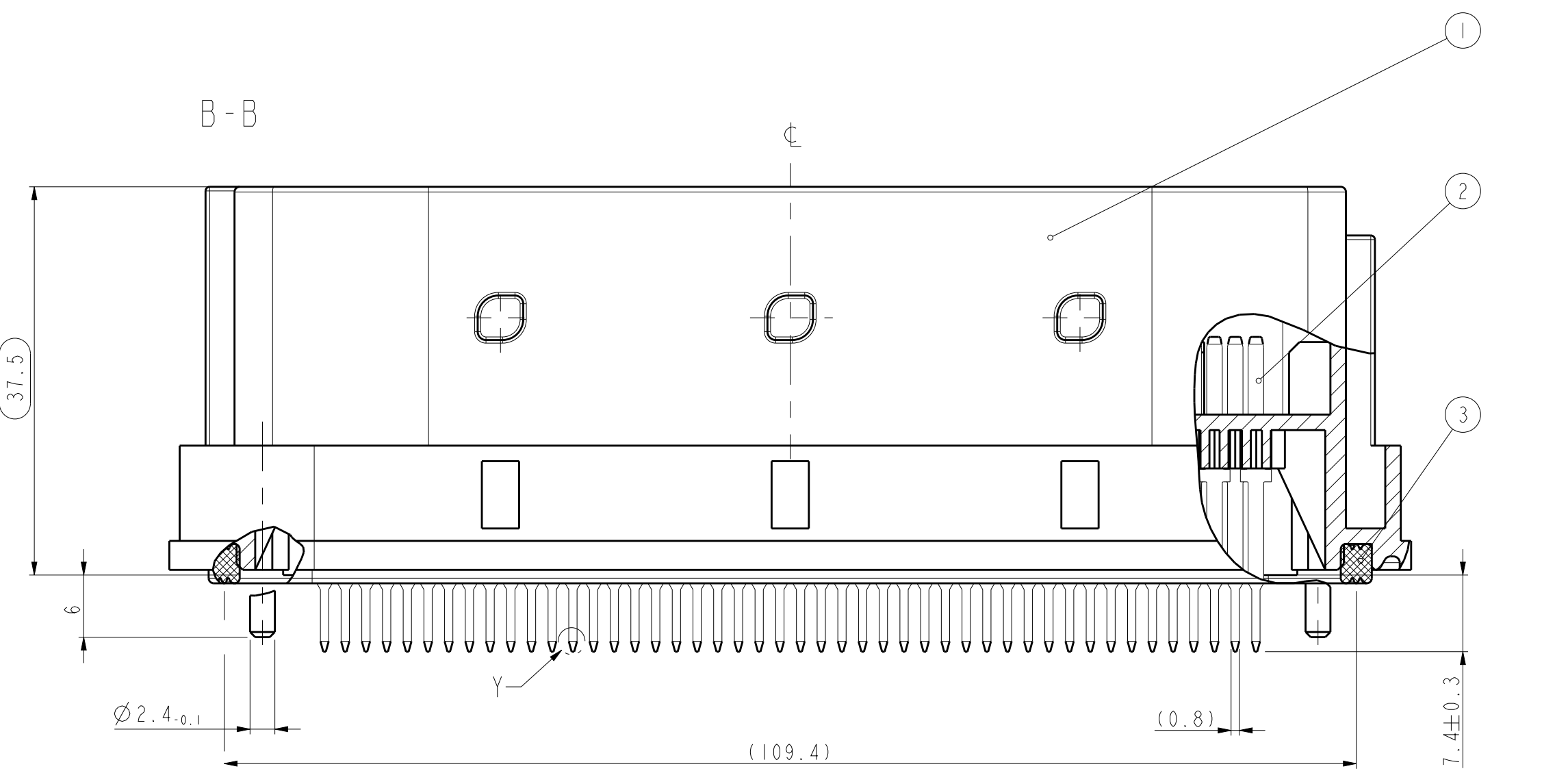
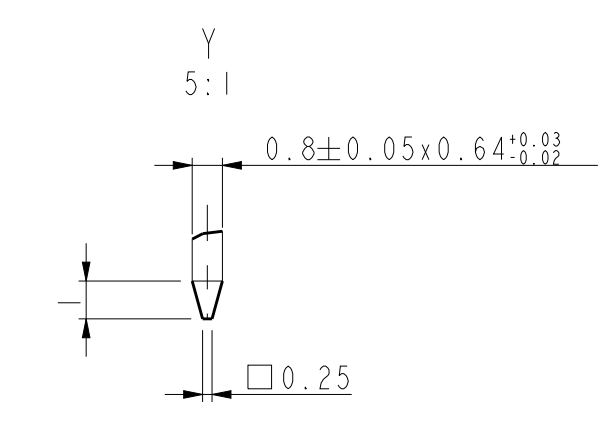
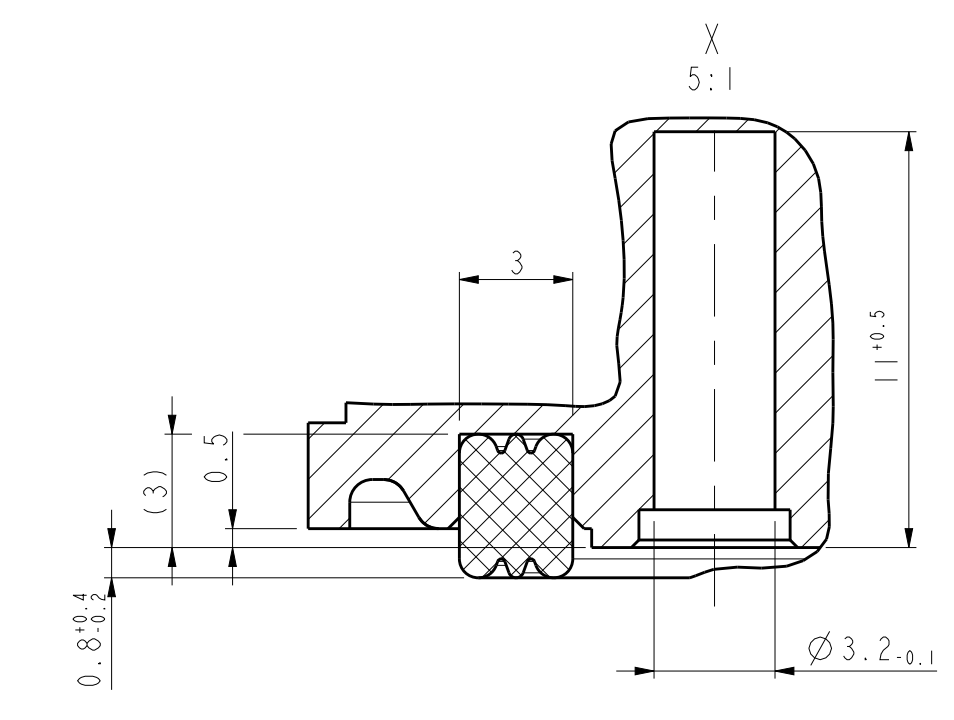
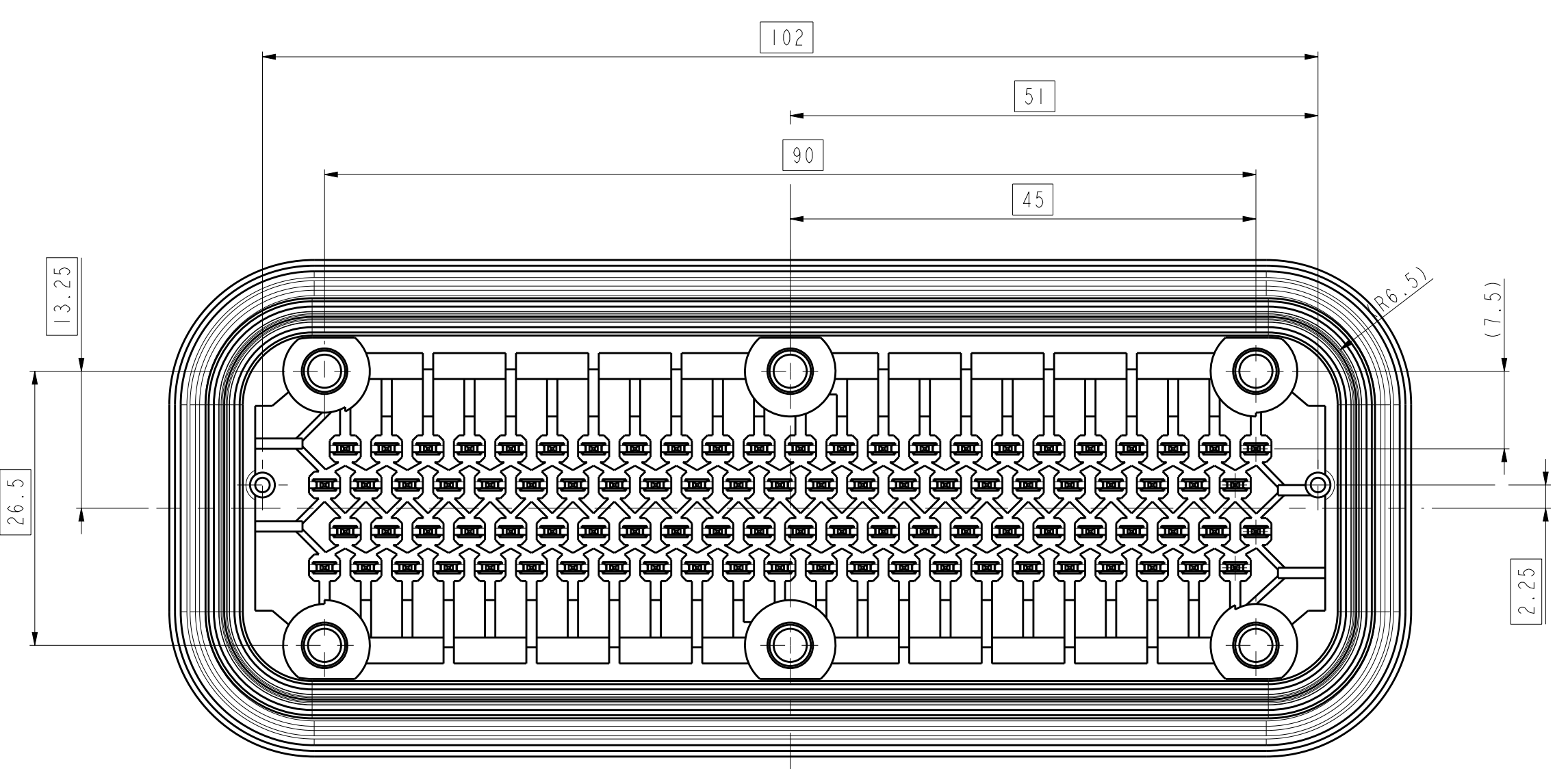
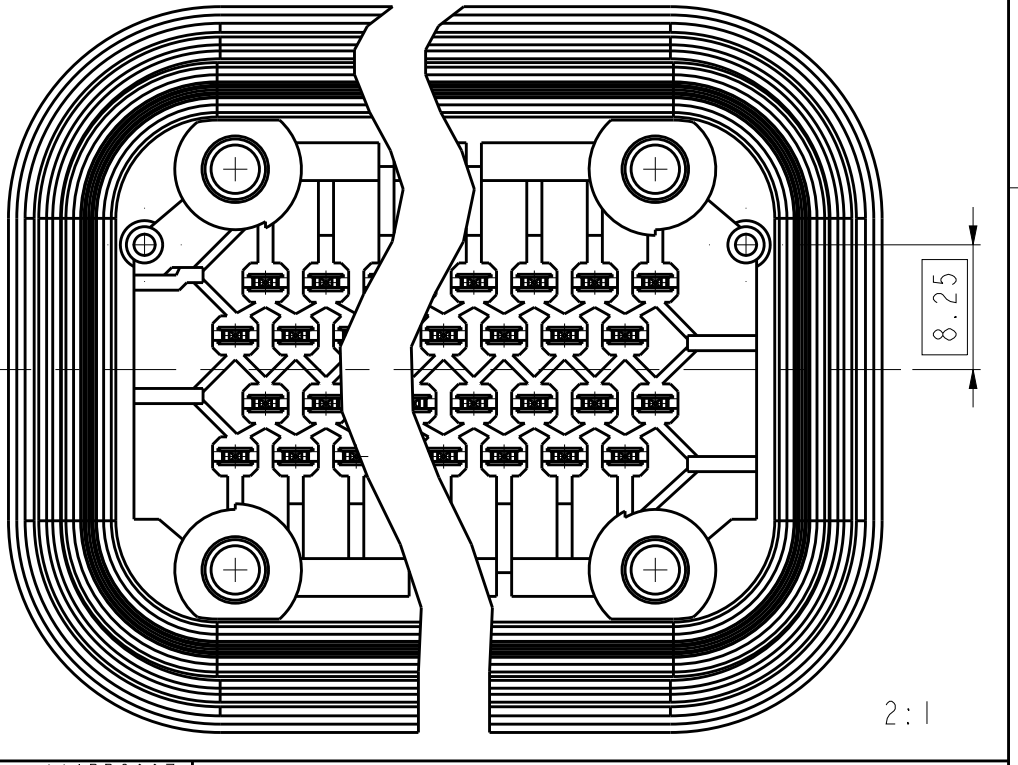


- NOTES
 Bemerkungen
- △ SUITABLE TO SOCKET HOUSING 92POS
 SEE TE DRAWING NO. 1394565
 Passend zu Buchsengehäuse 92polig
 siehe TE Zeichnung Nr. 1394565
 - △ SUITABLE TO SOCKET HOUSING 92POS
 SEE TE DRAWING NO. 1703998
 Passend zu Buchsengehäuse 92polig
 siehe TE Zeichnung Nr. 1703998
 - △ POSITION IS LEFT TO THE MANUFACTURER
 Positionierung ist dem Hersteller überlassen
 - 4 SC - DIMENSIONS cpk > 1.33
 SC - Masse
 - △ PACKAGING REUSEABLE PLASTIC TRAY
 Mehrwegverpackung Produktträger
 - △ CUSTOMER-OWNED REUSEABLE SHIPPING BOX
 Kundeneigene Mehrwegbehälter
- 0- -1 AS SHOWN
 Wie gezeichnet

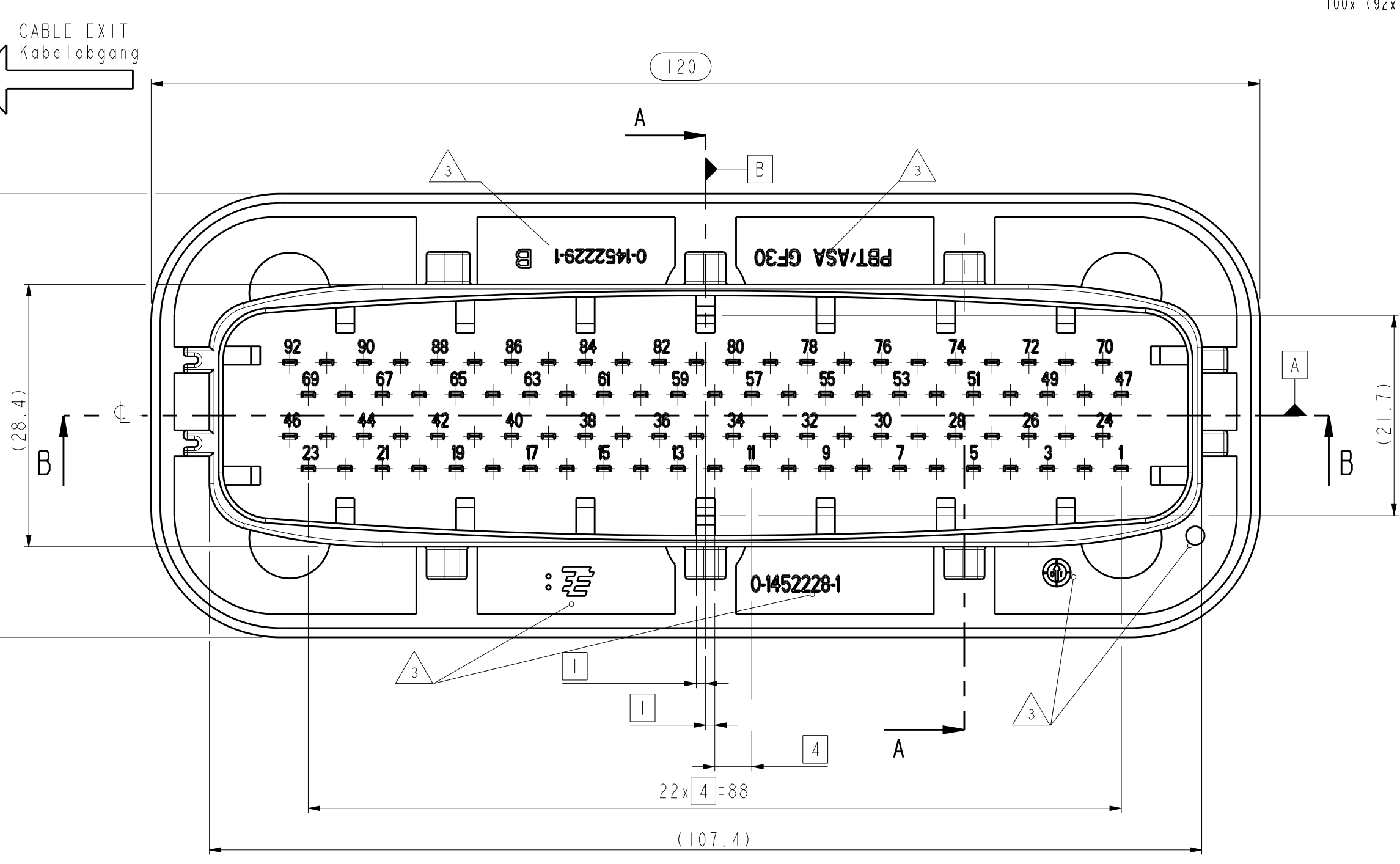
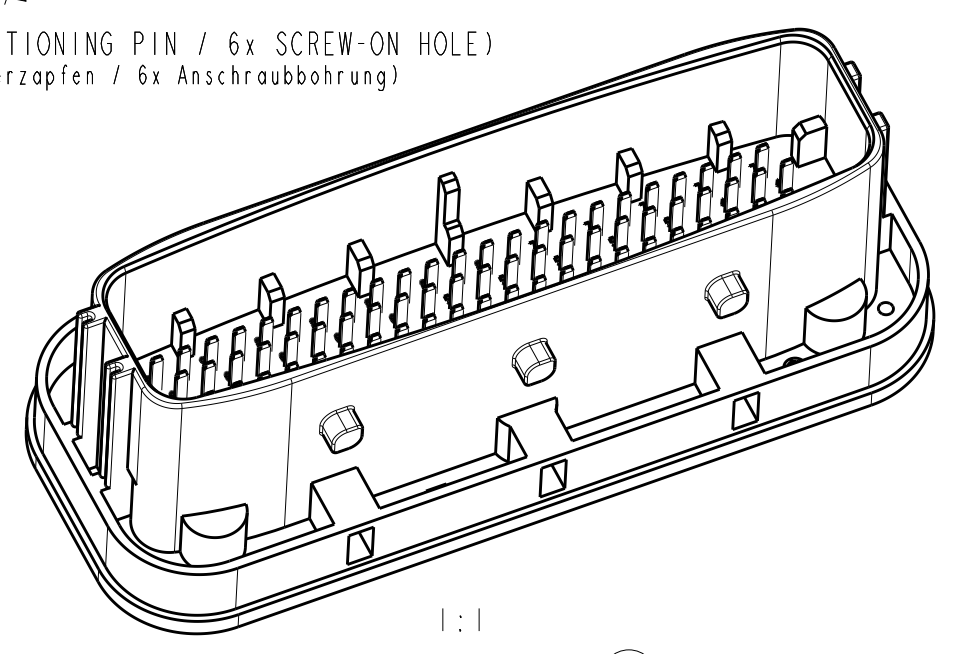
CODING C INTERFACE PN 0-
 Kodierung C Kragen



CODING C PCB
 Kodierung C Leiterplatte



⊕ Ø 0.6 Ⓜ A Ⓜ B Ⓜ
 100x (92x PIN TOP, SOLDER SIDE / 2x POSITIONING PIN / 6x SCREW-ON HOLE)
 100x (92x Stiftspitze, Lotseite / 2x Positionierzapfen / 6x Anschraubbohrung)



ZGS	COD	CONTI-NO.	PACKAGING	TE NO.	REV	QTY	Description	Material	COLOUR	ITEM NO
			△ + CARDBOARD Karton	3-1452228-9	C	92	SEALING Dichtung	SILICON SHORE A Silikon-Kautschuk	orange	3
						92	Tab 1.5x0.64[mm]	Cu Zn 30	Ag / Sn	2
							TAB HEADER Messerleiste	PBT/ASA GF30	black schwarz	1
						92	SEALING Dichtung	SILICON SHORE A Silikon-Kautschuk	orange	3
			△ + △	0-1452228-3	C	92	Tab 1.5x0.64[mm]	Cu Zn 30	Ag / Sn	2
							TAB HEADER Messerleiste	PBT/ASA GF30	black schwarz	1
						92	SEALING Dichtung	SILICON SHORE A Silikon-Kautschuk	orange	3
			△ + CARDBOARD Karton	2-1452228-9	C	92	Tab 1.5x0.64[mm]	Cu Zn 30	Ag / Sn	2
							TAB HEADER Messerleiste	PBT/ASA GF30	black schwarz	1
						92	SEALING Dichtung	SILICON SHORE A Silikon-Kautschuk	orange	3
			△ + △	0-1452228-2	C	92	Tab 1.5x0.64[mm]	Cu Zn 30	Ag / Sn	2
							TAB HEADER Messerleiste	PBT/ASA GF30	black schwarz	1
						92	SEALING Dichtung	SILICON SHORE A Silikon-Kautschuk	orange	3
			△ + CARDBOARD Karton	1-1452228-9	C	92	Tab 1.5x0.64[mm]	Cu Zn 30	Ag / Sn	2
							TAB HEADER Messerleiste	PBT/ASA GF30	black schwarz	1
			△ + △	0-1452228-1	C	92	Tab 1.5x0.64[mm]	Cu Zn 30	Ag / Sn	2
							TAB HEADER Messerleiste	PBT/ASA GF30	black schwarz	1

THIS DRAWING IS A CONTROLLED DOCUMENT.

OWN: T.Wild 11APR2007
 CHK: J.Ryll 12APR2007
 APVD: -

DIMENSIONS: mm
 TOLERANCES UNLESS OTHERWISE SPECIFIED:
 DR: 0.10mm
 1. PLC ±0.1
 2. PLC ±0.1
 3. PLC ±0.1
 4. PLS ±0.1

MATERIAL: -
 FINISH: -

PRODUCT SPEC: TAB HEADER 92POS.
 Messerleiste 92 polig.
 Flachstecker 1.5mm x 0.64mm

APPLICATION SPEC: -
 WEIGHT: -
 CUSTOMER DRAWING: -

SIZE: A1
 CAGE CODE: 00779
 DRAWING NO: C=1452228

RESTRICTED TO: -
 SCALE: 5:1
 SHEET: 1 of 1
 REV: C

TE Connectivity