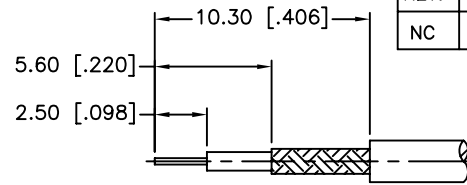
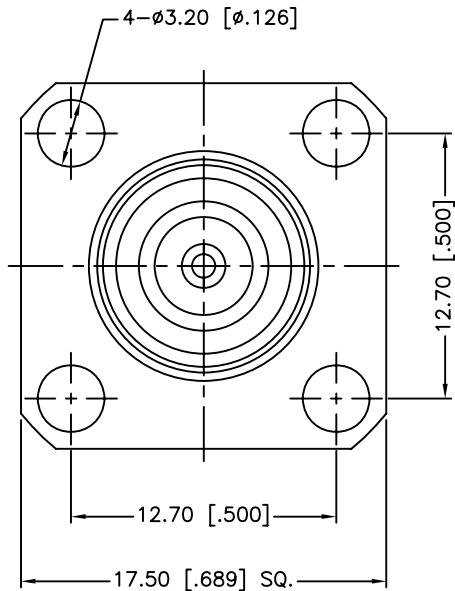


RECOMMENDED MOUNTING HOLE

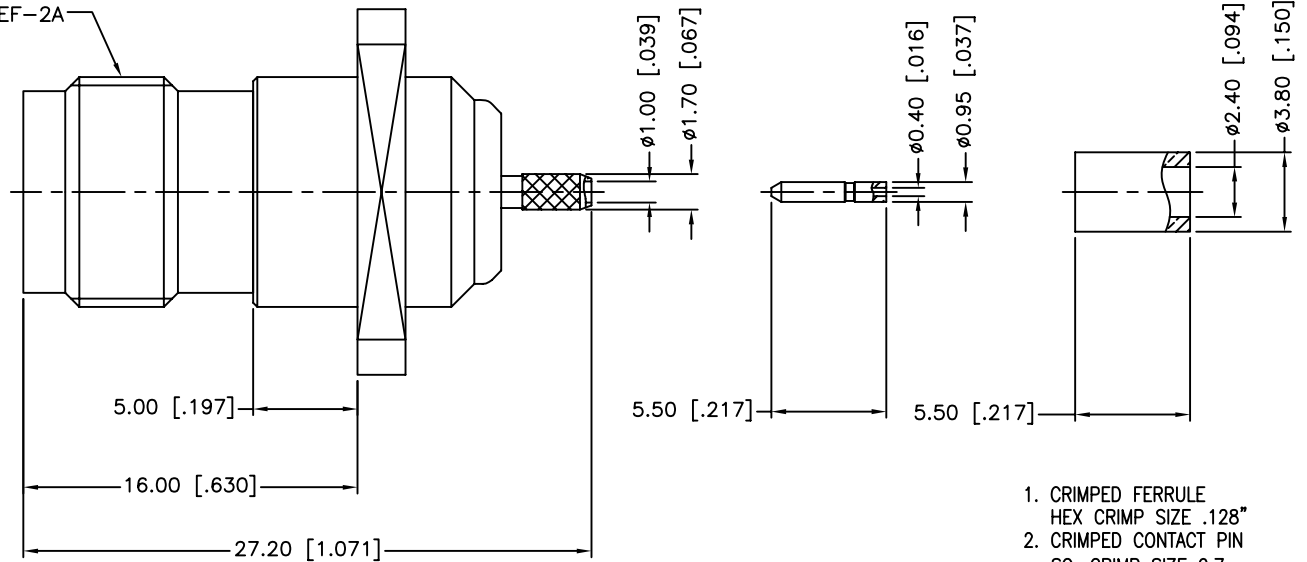


RECOMMENDED CABLE STRIPPING DIM'S

REV.	DATE	ECR NO.	DESCRIPTION
NC	03/04/10	XXXXXX	INITIAL RELEASE



7/16-28UNEF-2A



1. CRIMPED FERRULE
HEX CRIMP SIZE .128"
2. CRIMPED CONTACT PIN
SQ. CRIMP SIZE 0.7mm

7	FERRULE	COPPER	NICKEL	1
6	CONTACT PIN	BRASS	GOLD	1
5	BARREL	BRASS	NICKEL	1
4	CONTACT PIN	PHOSPHOR BRONZE	GOLD	1
3	INSULATOR	PTFE	NATURAL	1
2	BODY	BRASS	NICKEL	1
1	HOUSING	BRASS	NICKEL	1
	DESCRIPTION	MATERIAL	FINISH	QTY

UNLESS OTHERWISE SPECIFIED DIMENSIONS ARE IN MILLIMETERS. DIMENSIONS IN [] ARE IN INCHES AND FOR CUSTOMER REFERENCE ONLY.

UNLESS OTHERWISE SPECIFIED TOLERANCES FOR MILLIMETERS ARE:
 0.5 - 8mm ± 0.20mm
 8 - 30mm ± 0.40mm
 30 - 120mm ± 0.50mm

UNLESS OTHERWISE SPECIFIED TOLERANCES FOR INCHES ARE:
 .020 - .315 = ± 0.007"
 .315 - 1.180 = ± 0.015"
 1.180 - 4.724 = ± 0.020"

DO NOT SCALE DRAWING

APPROVALS		DATE
DRAWN	M.ZHANG	03/04/10
CHECKED		
ISSUED		
SHEET	1 OF 1	
CAD FILE	C:/CONNEX/122442RP.DWG	

Amphenol Connex

PART DESCRIPTION			
TNC REVERSE POLARTY BULKHEAD CRIMP JACK (FOR RG-178B/U,196A/U)			
PART NO.		122442RP	
DWG. NO.	122442RP.DWG	REV.	NC
SIZE	A	SCALE	NA