

DETAILS

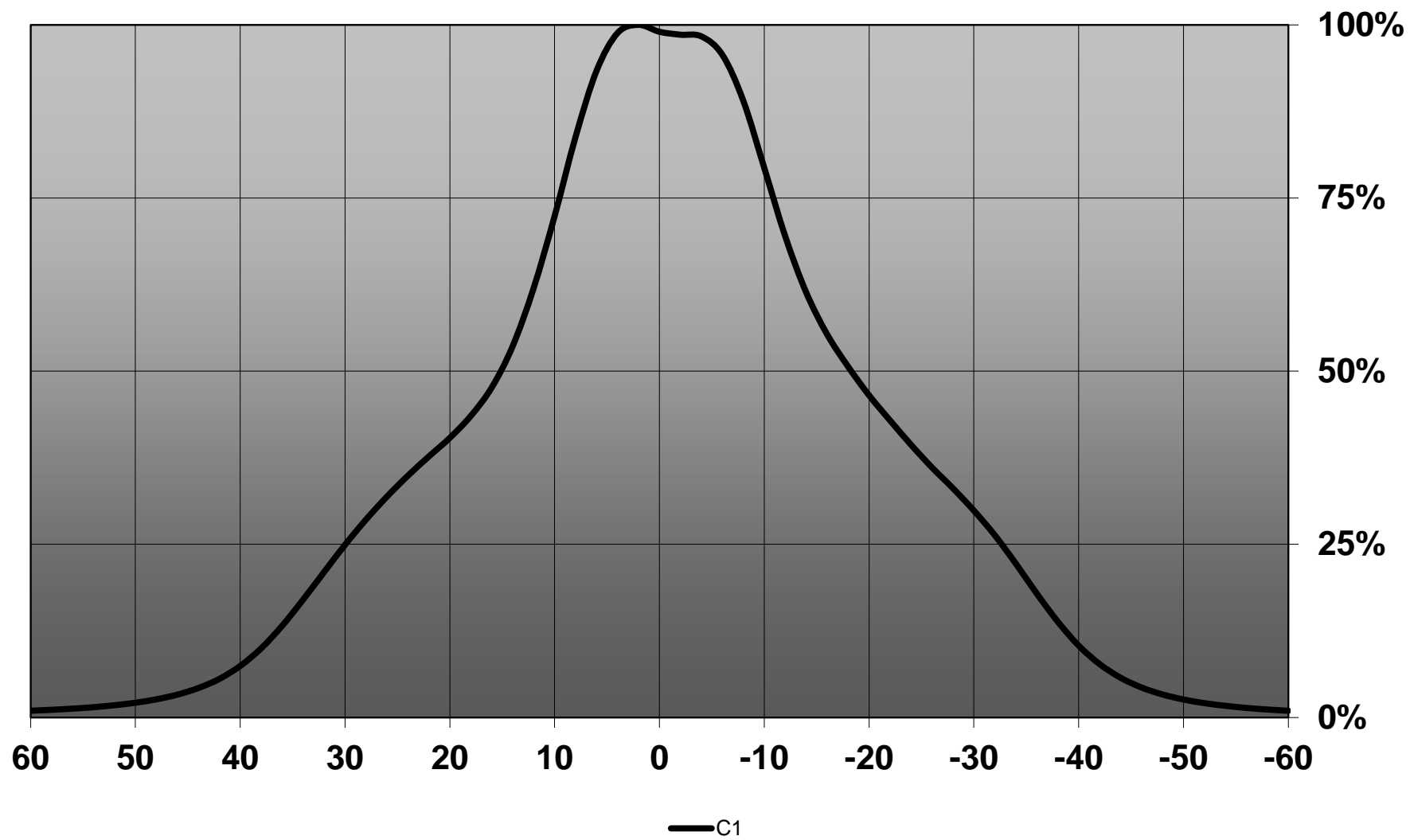
| | |
|------------------------|------------------|
| Product Number | FA11027_TINA-WW |
| Family | Tina |
| Type | Assembly |
| Color | black |
| Diameter | 16,1 mm |
| Height | 9,5 mm |
| Style | round |
| Optic Material | PMMA |
| Holder Material | |
| Fastening | pin, tape |
| Status | production ready |
| ROHS Compliant | Yes |
| Date Updated | 13/11/2012 |



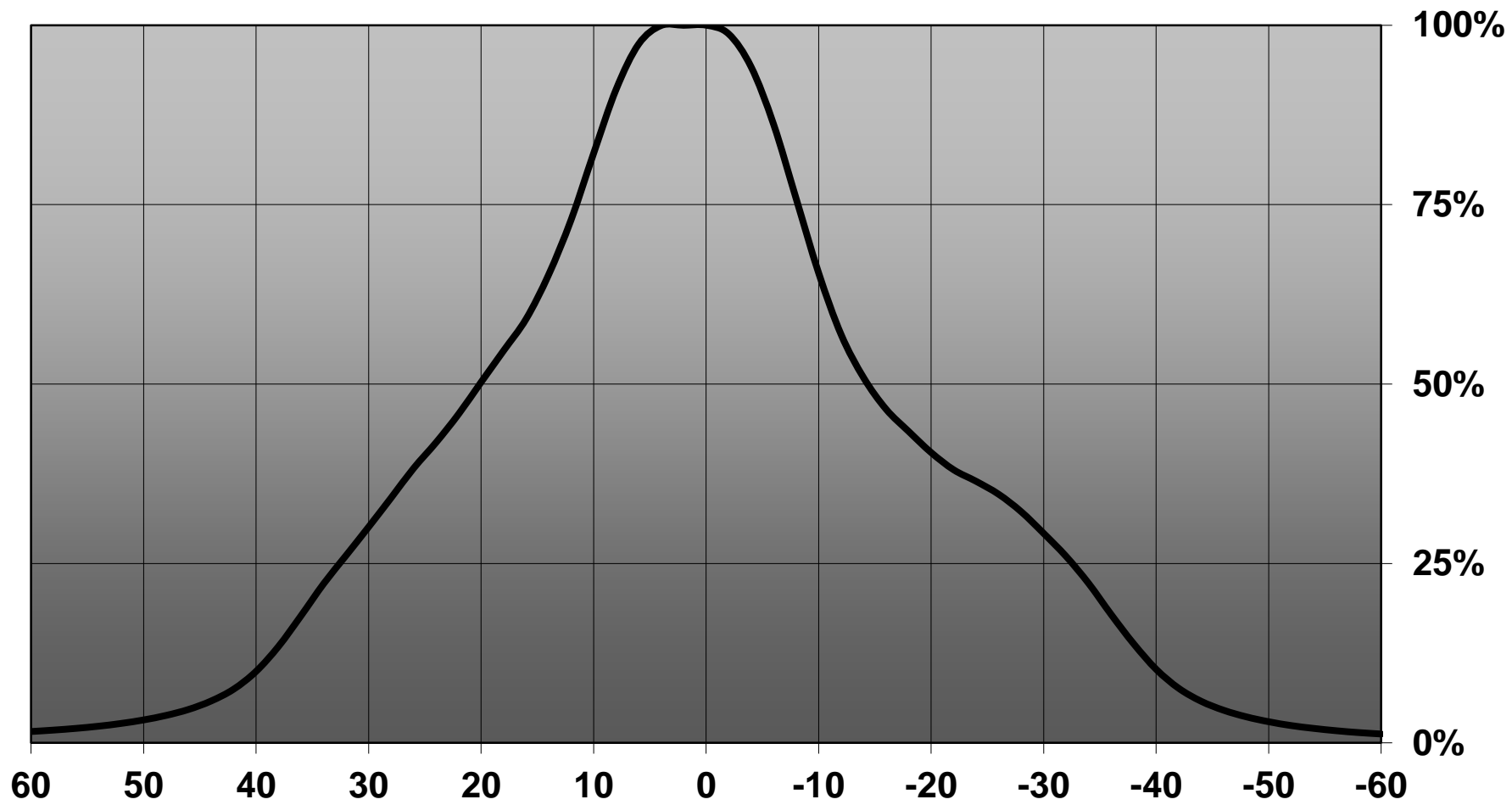
OPTICAL PROPERTIES

| LED | Viewing | Light | Effi- | | Connector |
|-------------------|---------|-----------|-----------|------------|-----------|
| | Angle | Beam | ciency | cd/lm | |
| NVSxx19B/NVSxx19C | sim: 50 | Very Wide | sim: 89 % | sim: 1.100 | - |
| NVSW3x9A | 59 deg | Very Wide | 84 % | 0.900 | - |
| Oslo SSL 80 | 66 deg | Very Wide | 87 % | 0.800 | - |
| SFH 4715S | 36 deg | Very Wide | - | - | - |
| SFH 4725S | 35 deg | Very Wide | - | - | - |

Relative intensity of FA11027_TINA-WW_SFH4715S



Relative intensity of FA11027_TINA-WW_(SFH4725S)



D

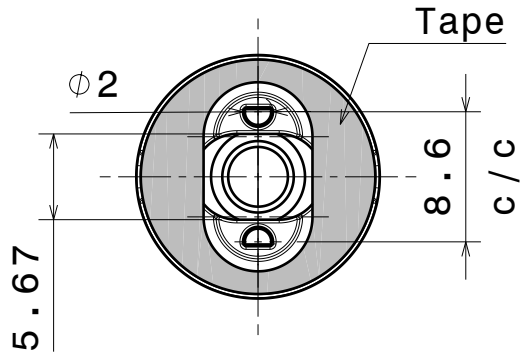
C

B

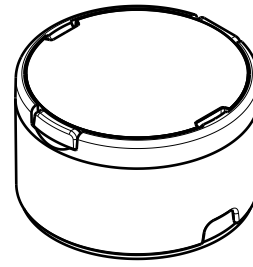
A

4

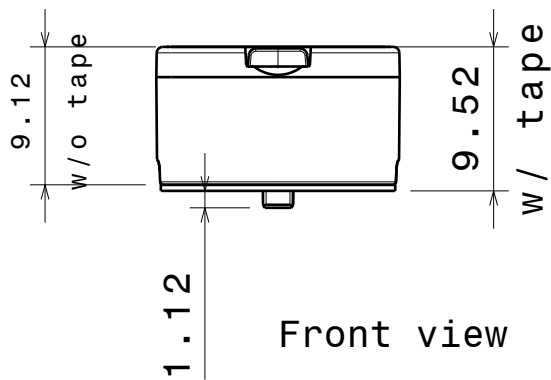
4



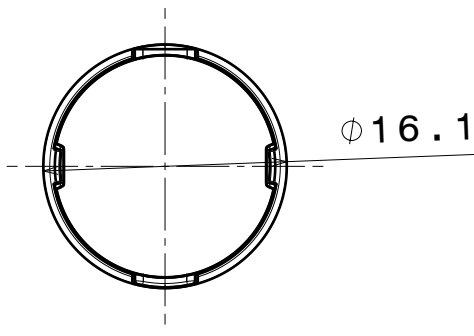
Bottom view



Isometric view



Front view



Top view

Materials
 Lens: PMMA
 Holder: PC
 Tape: PU Foam

3

3

2

2

1

1

This drawing is our property.
 It can't be reproduced
 or communicated without
 our written agreement.

LEDiL LediL Oy
 Salorankatu 10
 FIN 24240 SALO
 Finland

DRAWING TITLE Mechanical Drawing

DRAWN BY as
 DATE 10.9.2012

TINA-OSL

CHECKED BY sn
 DATE -

SIZE A4 PART NUMBER TINA-OSL REV 001

DESIGNED BY -
 DATE -

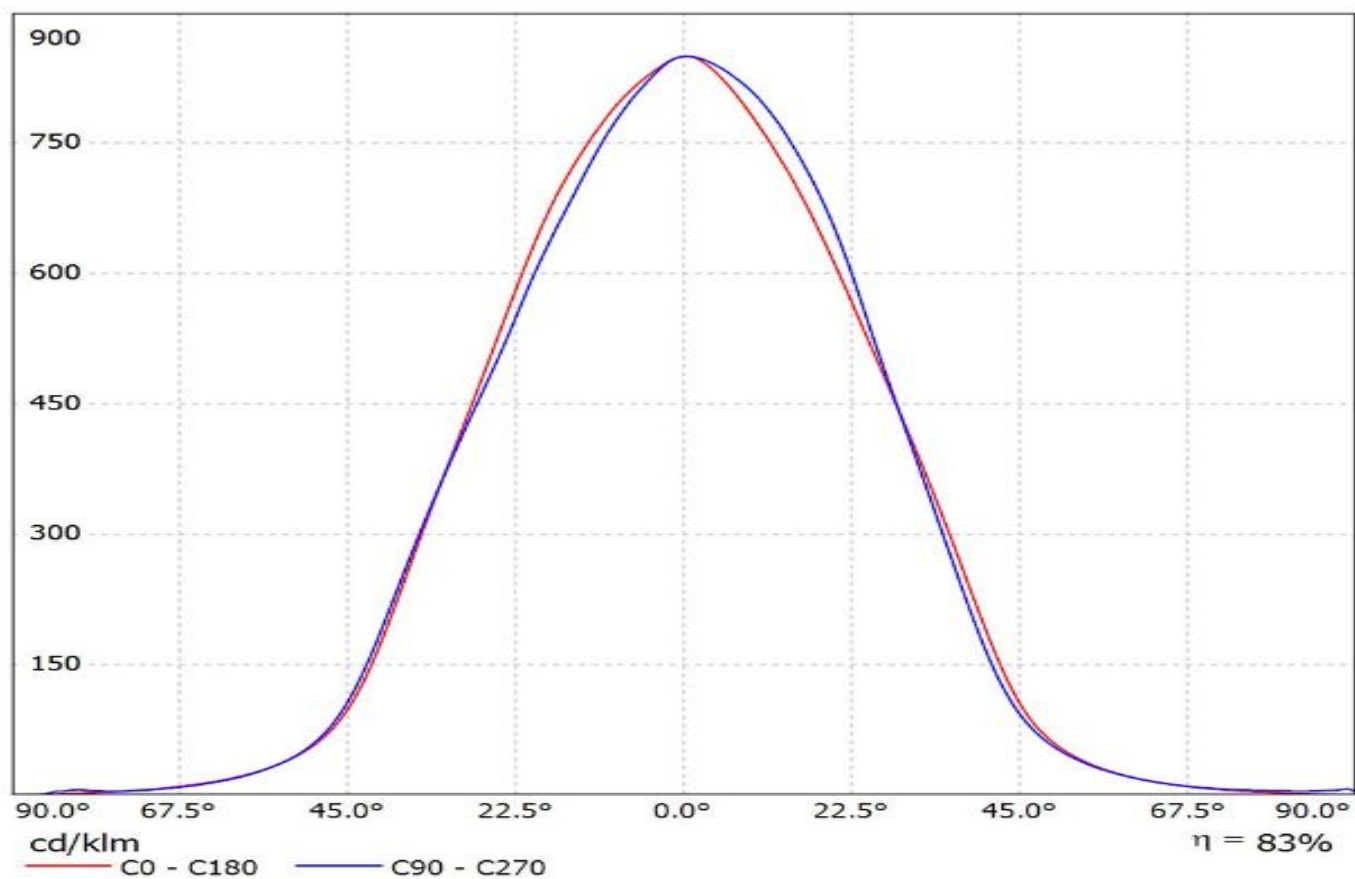
SCALE 2:1 WEIGHT 1,47 g SHEET 1/1

D

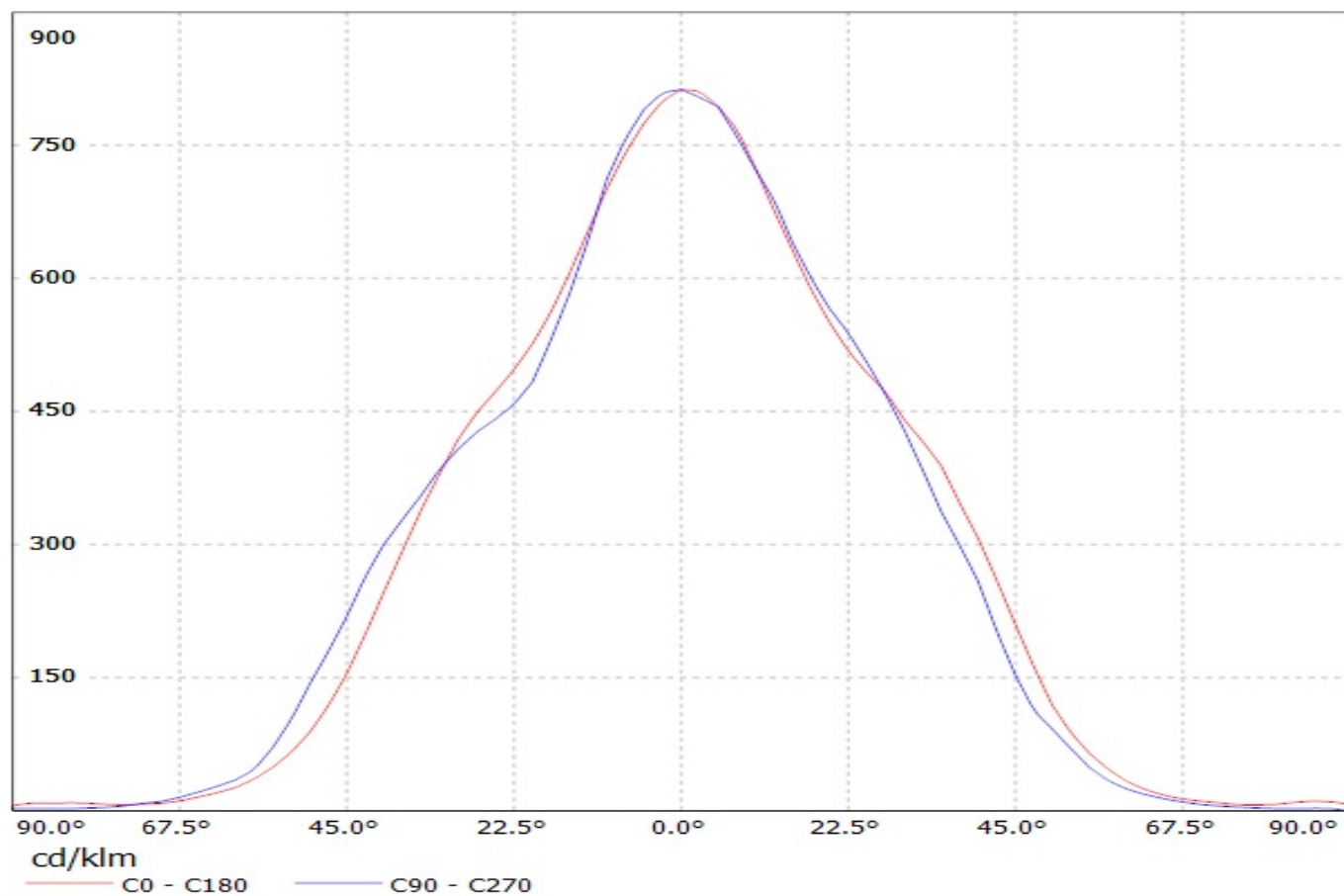
A

Luminaire: LEDiL Oy FA11027_TINA-WW_(NVSW3x9A)

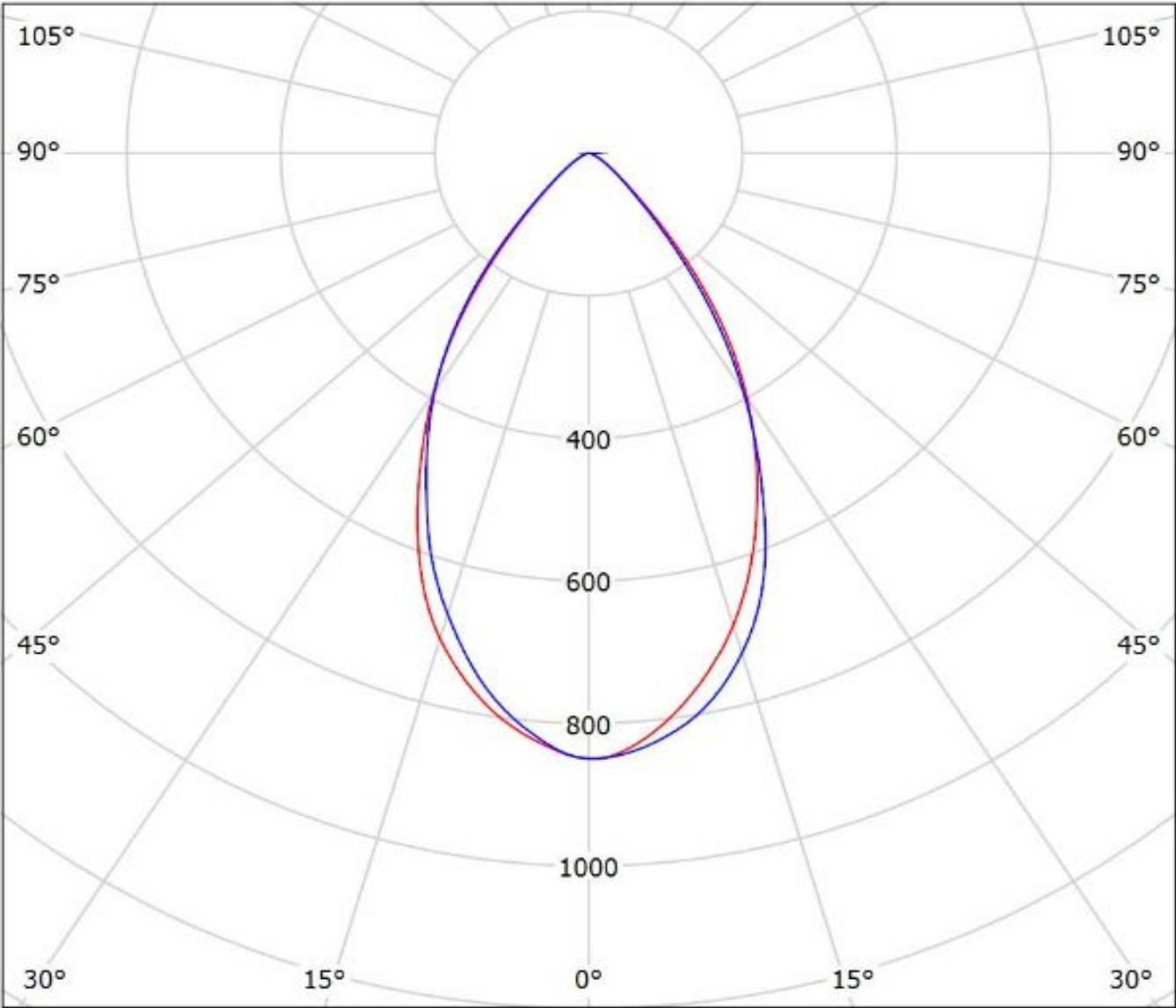
Lamps: 1 x Nichia_NVSW3x9A_(sm405/R70)_122.334lm@250mA_P=0.705435W_I=0.250A



Luminaire: Ledil Oy FA11027_TINA-WW (Osram Oslon 80dg 85lm @ 250mA) Efficiency=87%
Lamps: 1 x Osram Oslon 80dg 85lm @ 250mA



Luminaire: LEDiL Oy FA11027_TINA-WW_(NVSW3x9A)
Lamps: 1 x Nichia_NVSW3x9A_(sm405/R70)_122.334lm@250mA_P=0.705435W_I=0.250A

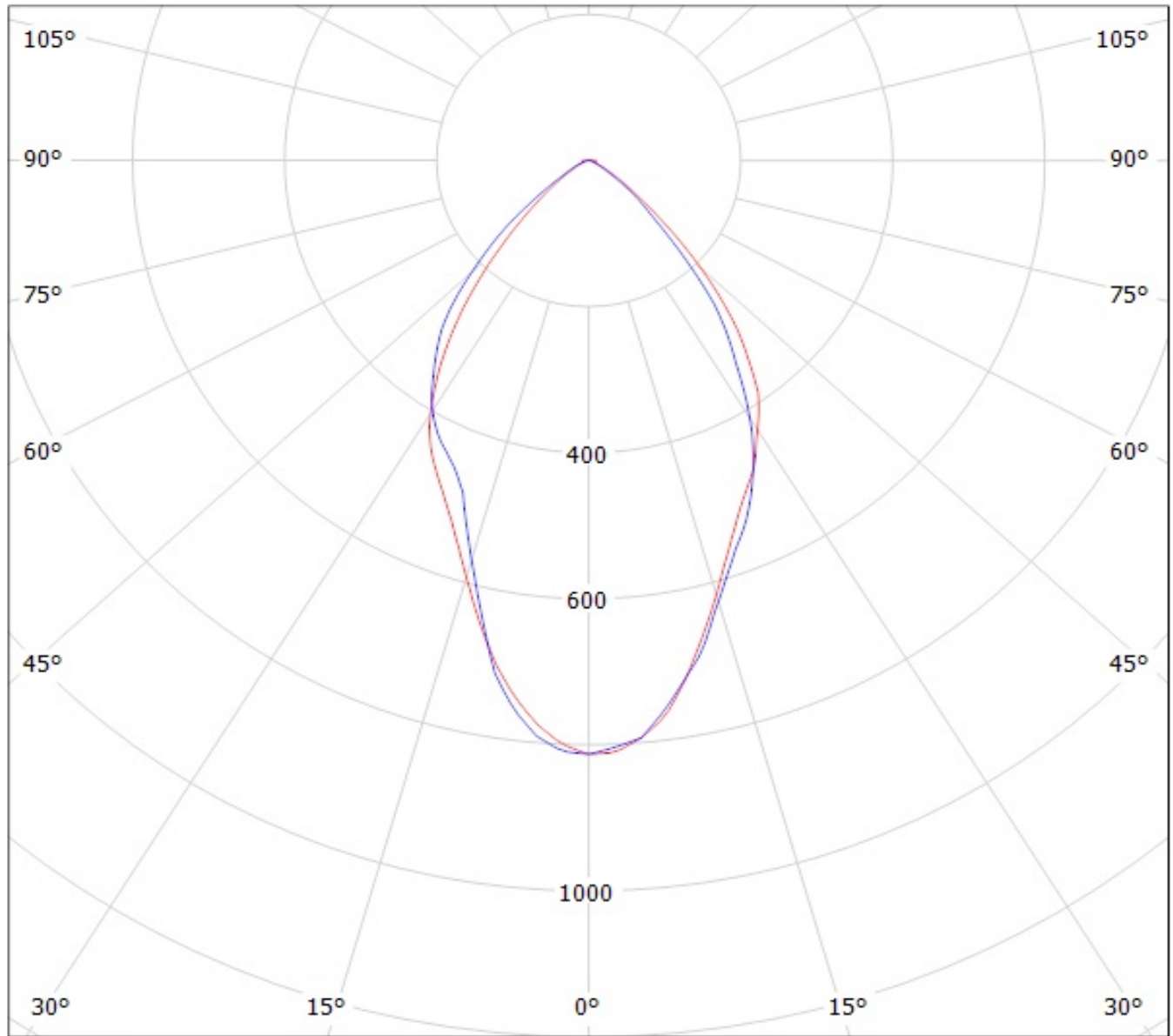


cd/klm

— C0 - C180 — C90 - C270

$\eta = 83\%$

Luminaire: Ledil Oy FA11027_TINA-WW (Osram Oslon 80dg 85lm @ 250mA) Efficiency=87%
Lamps: 1 x Osram Oslon 80dg 85lm @ 250mA



cd/klm

— C0 - C180 — C90 - C270

NOTE: The typical divergence will be changed by different color, chip size and chip position tolerance. The typical total divergence is the full angle measured where the luminous intensity is half of the peak value.