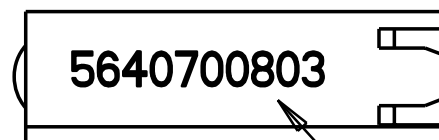
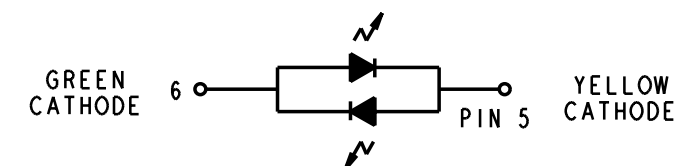
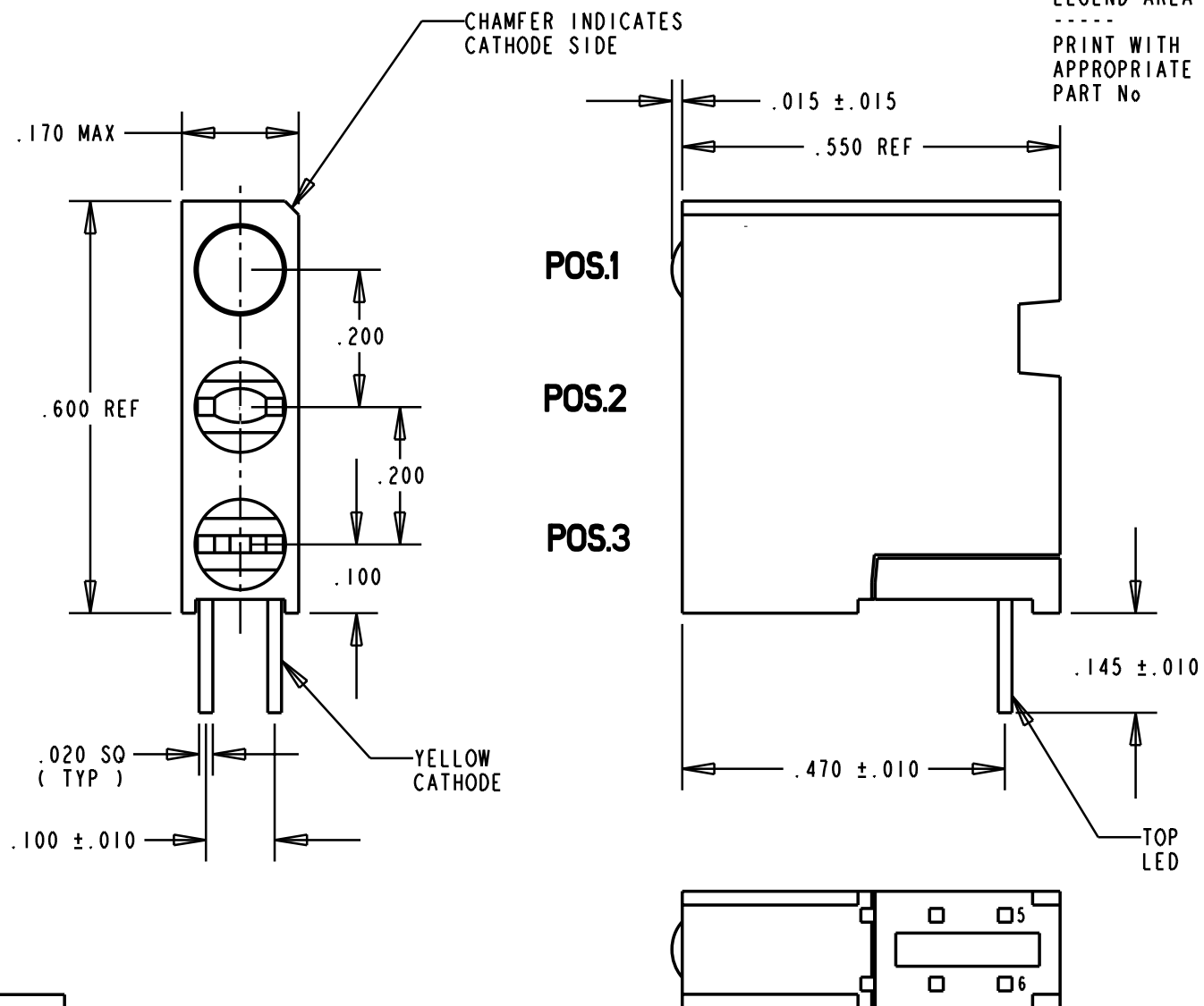


PART NUMBER and LEGEND	LED COLOR		
	POSITION 1	POSITION 2	POSITION 3
564-0700-803	YELLOW / GREEN	** BLANK **	** BLANK **

REV.	ECN NO.	REVISIONS	DRN.	CKD.	APP.	DATE
A	—	NEW RELEASE	DC		NO	2-24-93
B	—	CONVERTED TO NEW "BOTTOM" INSERT DESIGN; REMOVED OLD NOTE 2; ADDED NEW NOTES 2 THRU 5.	TC			



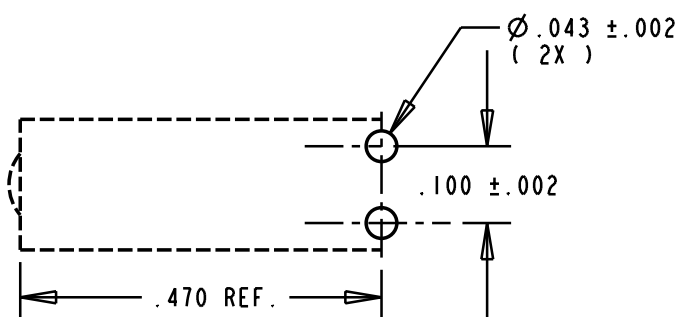
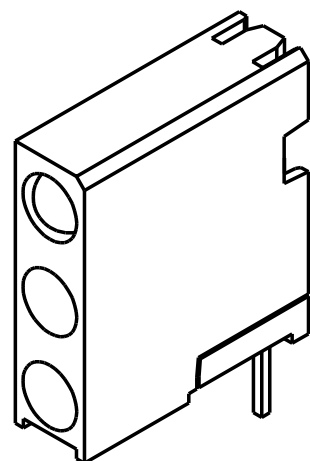
LEGEND AREA  
-----  
PRINT WITH  
APPROPRIATE  
PART No



DISCRETE LED  
INTERNAL CIRCUIT  
EACH POSITION

BI-COLOR LEADS  
OPERATING CHARACTERISTICS AT T<sub>A</sub> = 25 °C

SYMBOL	PARAMETER	COLOR	MIN	TYP	MAX	UNITS	TEST COND.
V <sub>F</sub>	FORWARD VOLTAGE	YELLOW		2.0	2.6	V	I <sub>F</sub> = 10 mA
		GREEN		2.0	2.6		
λ <sub>PK</sub>	PEAK WAVELENGTH	YELLOW		585		nm	
		GREEN		567			
I <sub>V</sub>	LUMINOUS INTENSITY	YELLOW	2.5			mcd	I <sub>F</sub> = 10 mA
		GREEN	2.5				



RECOMMENDED PC BOARD HOLE PATTERN

NOTES:

- LEADS TO FIT INTO HOLES SPACED AS PER HOLE PATTERN
- PIN NUMBERS FOR REFERENCE ONLY, DESIGNATION NON-EXISTENT ON PARTS.
- LEADS TO BE FREE OF DEFORMATION AFTER BENDING AND CUTTING
- LED LEAD DIMENSIONS SHOWN ARE MEASURED AT HOUSING EXIT.
- DIALIGHT PART NUMBER: 564-0700-803

THIS DRAWING AND THE CONTENTS HEREIN ARE CONFIDENTIAL AND THE SOLE PROPERTY OF DIALIGHT. REPRODUCTION OF THIS DRAWING OR CONSTRUCTION OF ANY PARTS WITHIN THIS DRAWING ARE FORBIDDEN WITHOUT THE WRITTEN CONSENT OF DIALIGHT.

SCALE 4:1	DRAWING NUMBER	REV
ALL DIM'S IN: INCHES	C-15748	B
TOLERANCES: UNLESS OTHERWISE SPECIFIED	TITLE EXTENDED TRI-LEVEL CBI BLOCK	
FRACTIONS: ±1/64	MATERIAL	
DECIMALS (.XX): ±.020	Dialight	
DECIMALS (.XXX): ±.015	1913 ATLANTIC AVE. MANASQUAN, N.J. 08736	
ANGLES: ±1°	SHEET OF FAMILY TABLE:	
FINISH:	FSCM 83330	