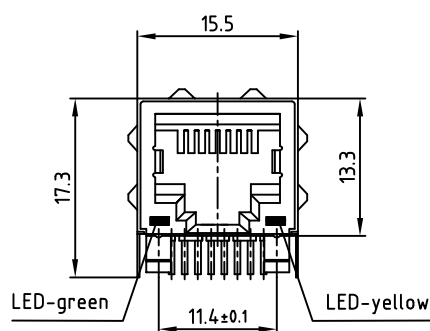
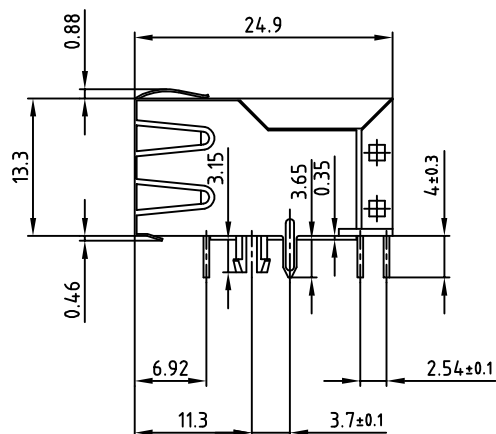
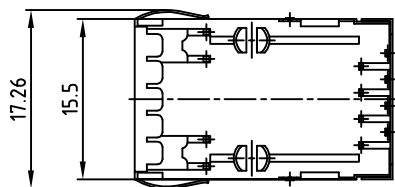


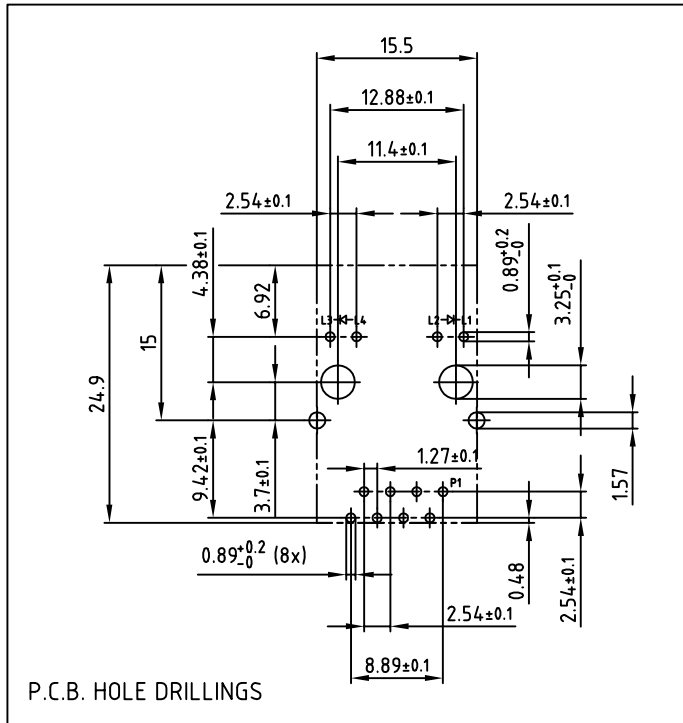
used for: RJ 45



Directive 2002/95 EC  
"RoHS"  
Compliant

NOTES:

1. HOUSING MATERIAL: GLASS FILLED POLYESTER UL 94 V-0, BLACK
2. SHIELD MATERIAL: 0.2mm THICK COPPER ALLOY
3. CONTACT MATERIAL: 0.35mm THICK COPPER ALLOY
4. MATING AREA PLATING: min. 50µ" GOLD over min. 30µ" NICKEL
5. SOLDER TAILS PLATING: min. 90µ" TIN/LEAD over min. 30µ" NICKEL
6. LED: GREEN AND YELLOW



P.C.B. HOLE DRILLINGS

|   |        |
|---|--------|
| APPROVAL * FREIGABE * DEBLOCAGE * AUTORIZACION * APPROVAL |        |
| CUSTOMER APPROVAL DATE:                                   |        |
| NAME:   | TITLE: |
| COMPANY NAME:   |        |
| APPROVAL * FREIGABE * DEBLOCAGE * AUTORIZACION * APPROVAL |        |

THIS DRAWING MAY NOT BE COPIED OR REPRODUCED IN ANY WAY, AND MAY NOT BE PASSED ON TO A THIRD PARTY, WITHOUT WRITTEN PERMISSION.  
OWNERSHIP AND COPYRIGHT OF CONEC GmbH  
DO NOT ALTER CAD DRAWING BY HAND

| rev. | description | date | name |
|------|-------------|------|------|
|      |             |      |      |
|      |             |      |      |
|      |             |      |      |
|      |             |      |      |
|      |             |      |      |
|      |             |      |      |
|      |             |      |      |
|      |             |      |      |
|      |             |      |      |

tolerance scale: 2:1  
material:   
title: RJ 45 MAGNETIC MODULAR JACK  
1. PORT SOLDER PIN STRAIGHT  
fully screened, with LED  
dwg no: AutoCAD 2000 DIN-A  
39K1A030 sh: 1/1  
part no: RJ45TJS11AC010X

|       |        |       |
|-------|--------|-------|
| 2002  | date   | name  |
| drawn | 31.05. | Parei |
| appd. | 31.05. | Kühle |
| norm  |        |       |
| d-old |        |       |