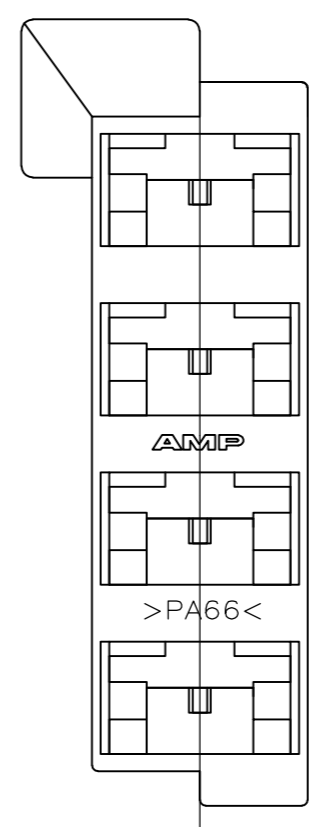
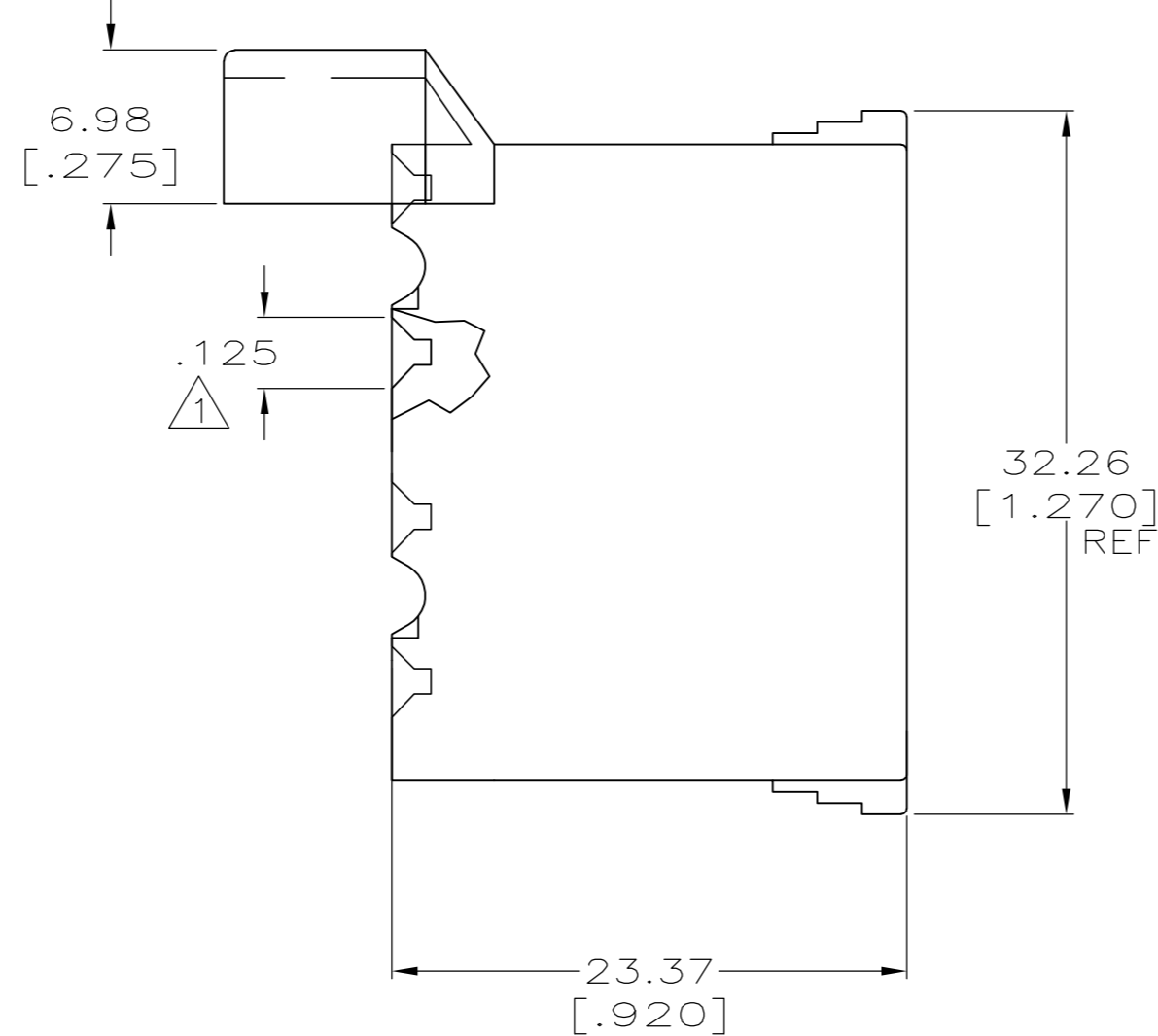
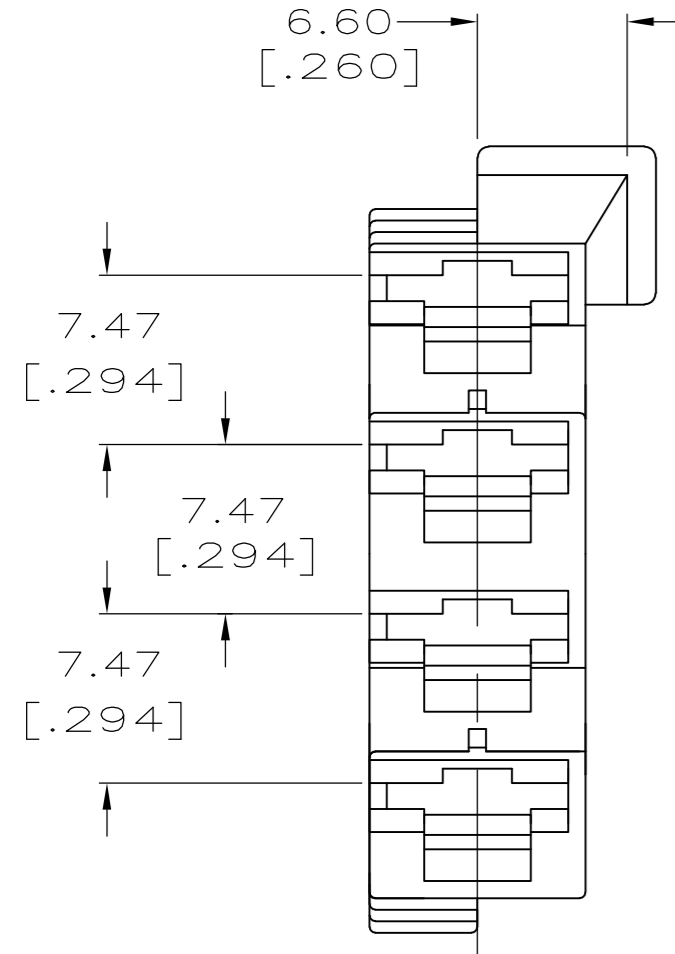
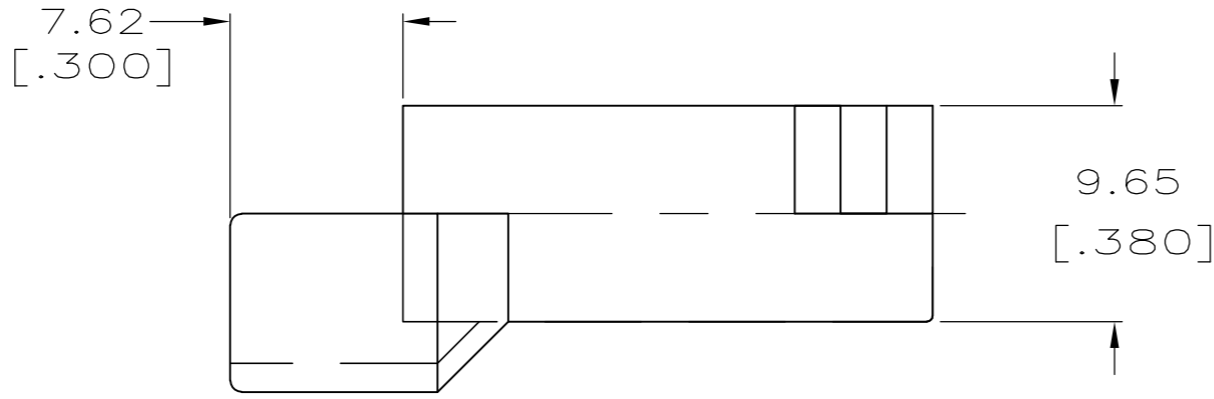


THIS DRAWING IS UNPUBLISHED. RELEASED FOR PUBLICATION
 © COPYRIGHT BY TYCO ELECTRONICS CORPORATION. ALL RIGHTS RESERVED.

LOC	DIST	REVISIONS			
P	LTR	DESCRIPTION	DATE	DWN	APVD
AF	50	A1	REL PER ECR 07-018356	06AUG07	JR PD

1 TOTAL LEAD-IN FOR MATING TAB.



1969136-1
PART NUMBER

THIS DRAWING IS A CONTROLLED DOCUMENT.		DWN	JR RUTH	21MAY07	Tyco Electronics Corporation Harrisburg, PA 17105-3608
DIMENSIONS: INCHES		CHK	MS FEHER	21MAY07	
TOLERANCES UNLESS OTHERWISE SPECIFIED:		APVD	P DESANTIS	21MAY07	
0 PLC ± - 1 PLC ± - 2 PLC ± 0.25 [.010] 3 PLC ± - 4 PLC ± - ANGLES ± -		NAME		HOUSING, RECEPTACLE, FASTON, 6.35 [.250] SERIES	
MATERIAL: 6/6 NYLON		FINISH: NATURAL		WEIGHT: -	SIZE: A2
		CUSTOMER DRAWING		SCALE: 4:1	CAGE CODE: 00779
				SHEET: 1 of 1	DRAWING NO: 1969136
				REV: A1	RESTRICTED TO: -

1969136