

THE INFORMATION CONTAINED HEREIN IS CONSIDERED "PROPRIETARY" TO BEL FUSE INC. AND SHALL NOT BE COPIED, REPRODUCED OR DISCLOSED WITHOUT THE WRITTEN APPROVAL OF BEL FUSE INC.

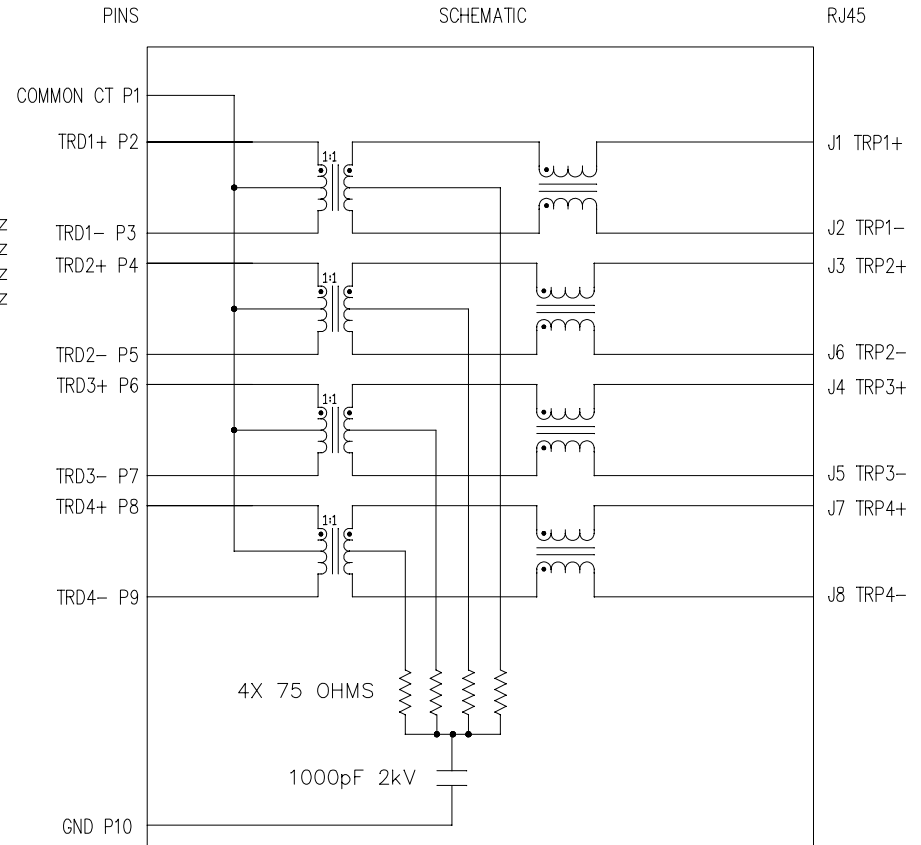
RoHS
2002/95/EC



ELECTRICAL CHARACTERISTICS @ 25°C

OPERATING TEMPERATURE RANGE: 0°C TO +70°C

- 1.0 TURNS RATIO: (P3-P2):(J2-J1) : 1CT: 1CT±3%
- (P5-P4):(J6-J3) : 1CT: 1CT±3%
- (P7-P6):(J5-J4) : 1CT: 1CT±3%
- (P9-P8):(J8-J7) : 1CT: 1CT±3%
- 2.0 INDUCTANCE: (P3-P2):(P5-P4) : 350uH MIN. @ 0.1V, 100kHz, 8mA DC BIAS
- (P7-P6):(P9-P8) : 350uH MIN. @ 0.1V, 100kHz, 8mA DC BIAS
- 3.0 LEAKAGE INDUCTANCE: P3-P2(WITH J2 AND J1 SHORT) : 0.3uH MAX. @ 1 MHz
- P5-P4(WITH J6 AND J3 SHORT) : 0.3uH MAX. @ 1 MHz
- P7-P6(WITH J5 AND J4 SHORT) : 0.3uH MAX. @ 1 MHz
- P9-P8(WITH J8 AND J7 SHORT) : 0.3uH MAX. @ 1 MHz
- 4.0 INTERWINDING CAPACITANCE: (P3-P2):(J2-J1) : 85pF MAX @ 1MHz
- (P5-P4):(J6-J3) : 85pF MAX @ 1MHz
- (P7-P6):(J5-J4) : 85pF MAX @ 1MHz
- (P9-P8):(J8-J7) : 85pF MAX @ 1MHz
- 5.0 DC RESISTANCE:(J6-J3)=(J2-J1)=(J4-J5)=(J7-J8) : 1.2 OHMS MAX
- 6.0 RETURN LOSS: 1MHz TO 30MHz : 18dB MIN.
- 30MHz TO 80MHz : 12-20 LOG($\frac{F}{80MHz}$)
- 7.0 DIELECTRIC WITHSTAND:(J1,J2) TO (P2,P3) ; (J5,J4) TO (P6-P5) : 1500 Vrms
- (J3,J6) TO (P7,P4) ; (J8,J7) TO (P9, P8) : 1500 Vrms
- 8.0 INSERTION LOSS:RS=RL=100 ohms : 1.1 dB MAX
- 100KHz TO 100MHz
- 9.0 RISE TIME:RS=100 OHMS AND RL = 100 OHMS : 3.0 nS MAX
- OUTPUT VOLTAGE = 1 V peak
- PULSE WIDTH= 112nS : 3.0 nS MAX
- 10.0 CROSS TALK:1-60 MHz : 35 dB MIN
- 60-100 MHz : 25 dB MIN
- 11.0 COMMON TO COMMON MODE ATTENUATION:1MHz TO 100MHz : 35dB TYP

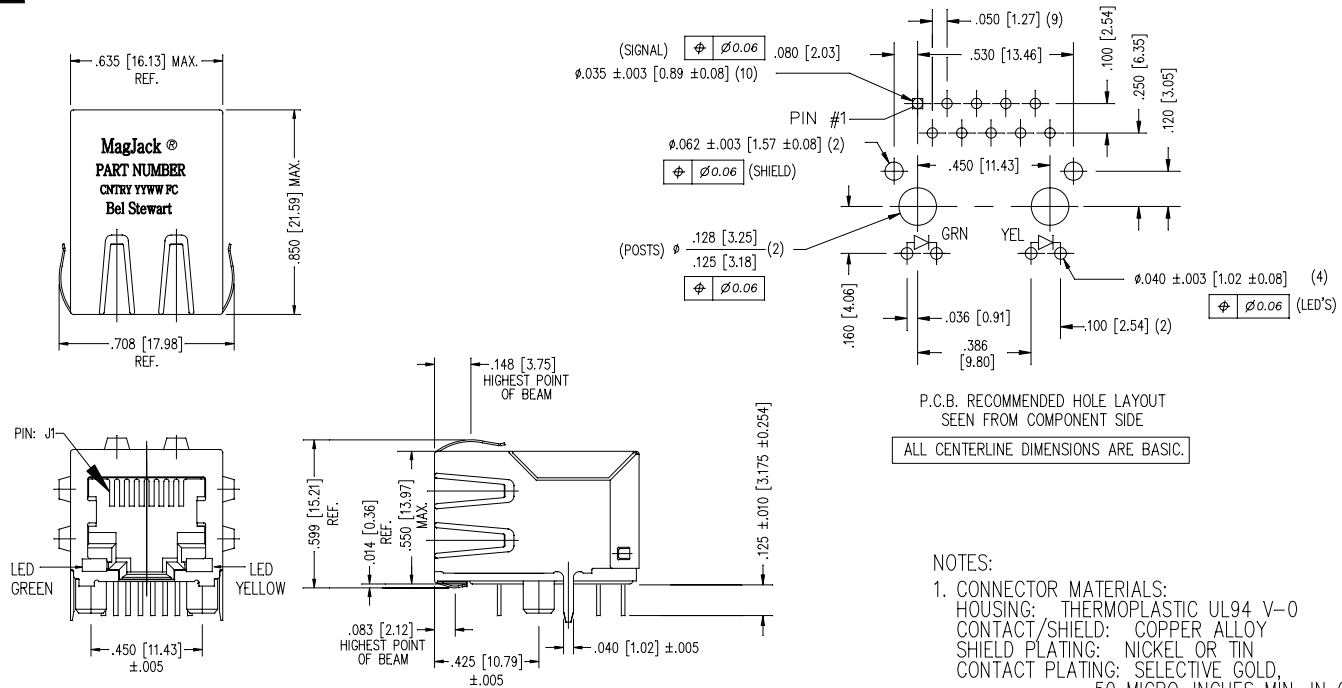


NOTES: PINS WITHOUT ELECTRICAL CONNECTION ARE OMITTED.

ORIGINATED BY	DATE	TITLE	PART NO. / DRAWING NO.	STANDARD DIM.	[] METRIC DIM. AS REFERENCE	
Bain Liu	10-21-08	MagJack® 10/100/1000BT TAB DOWN, SHIELDED	SI-61001-F	TOL. IN INCH	UNIT : INCH [mm]	
DRAWN BY	DATE		FILE NAME		.X	SCALE : N/A
L.W. Yuan	10-21-08	SI-61001-F.DWG		.XX		PAGE : 1
				.XXX	±0.005	

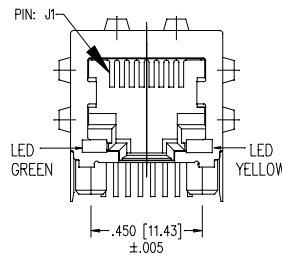
THE INFORMATION CONTAINED HEREIN IS CONSIDERED "PROPRIETARY" TO BEL FUSE INC. AND SHALL NOT BE COPIED, REPRODUCED OR DISCLOSED WITHOUT THE WRITTEN APPROVAL OF BEL FUSE INC.

RoHS
2002/95/EC

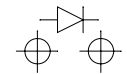


P.C.B. RECOMMENDED HOLE LAYOUT
SEEN FROM COMPONENT SIDE
ALL CENTERLINE DIMENSIONS ARE BASIC.

- NOTES:
- CONNECTOR MATERIALS:
HOUSING: THERMOPLASTIC UL94 V-0
CONTACT/SHIELD: COPPER ALLOY
SHIELD PLATING: NICKEL OR TIN
CONTACT PLATING: SELECTIVE GOLD,
50 MICRO-INCHES MIN. IN CONTACT AREA.
 - PIN NOT ELECTRICALLY CONNECTED MAYBE OMITTED.
SEE ELECTRICAL DRAWING FOR OMITTED PINS.
 - TOLERANCES COMPLY WITH F.C.C. DIMENSION REQUIREMENTS.
 - ALL TOLERANCES NOT OTHERWISE SPECIFIED TO BE ±.005 [0.13]
 - REFLOW AND WAVE SOLDER COMPATIBLE-260°C FOR
10 SECONDS MAX.



LED POLARITY
(ENLARGED VIEW)



SINGLE COLOR LED

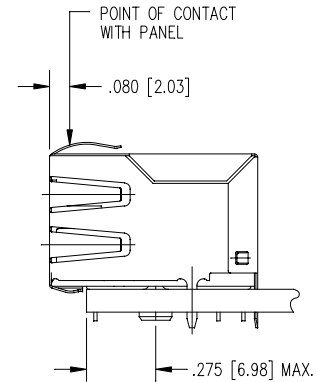
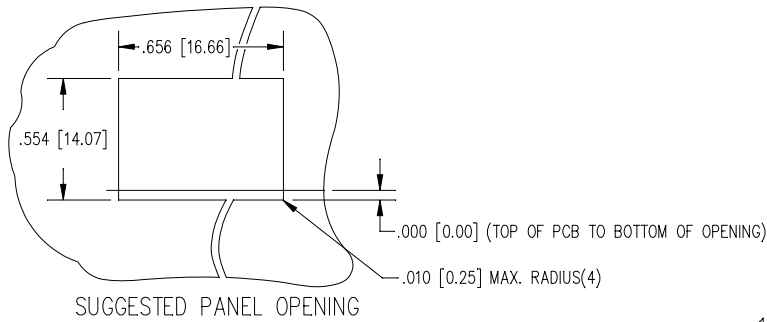
LED SPECIFICATION			
STANDARD LED	WAVELENGTH	FORWARD V (MAX)	* (TYP)
GREEN	565 nm	2.5 V	2.2 V
YELLOW	590 nm	2.5 V	2.1 V

*WITH A FORWARD CURRENT OF 20 mA (TYP)

ORIGINATED BY Bain Liu	DATE 10-21-08	TITLE MagJack® 10/100/1000BT TAB DOWN, SHIELDED	PART NO. / DRAWING NO. SI-61001-F	STANDARD DIM. TOL. IN INCH .X .XX .XXX ±0.005	[] METRIC DIM. AS REFERENCE UNIT : INCH [mm] SCALE : N/A PAGE : 2	bel COMPONENTS OF A CONNECTED PLANET
DRAWN BY L.W. Yuan	DATE 10-21-08		FILE NAME SI-61001-F.DWG	REV. : B SIZE : A4		

THE INFORMATION CONTAINED HEREIN IS CONSIDERED "PROPRIETARY" TO BEL FUSE INC. AND SHALL NOT BE COPIED, REPRODUCED OR DISCLOSED WITHOUT THE WRITTEN APPROVAL OF BEL FUSE INC.

RoHS
2002/95/EC



1. THE SUGGESTED PANEL OPENING IS INTENDED TO GIVE THE USER THE ABILITY TO HAVE REASONABLE JACK / PANEL CLEARANCES YET MAINTAIN RELIABLE GROUNDING CAPABILITY.
2. ALL TOLERANCES NOT OTHERWISE SPECIFIED TO BE ± 0.005 [0.13]

ORIGINATED BY Bain Liu	DATE 10-21-08	TITLE MagJack® 10/100/1000BT TAB DOWN, SHIELDED	PART NO. / DRAWING NO. SI-61001-F	STANDARD DIM. TOL. IN INCH	[] METRIC DIM. AS REFERENCE
DRAWN BY L.W. Yuan	DATE 10-21-08		FILE NAME SI-61001-F.DWG	.X .XX .XXX	UNIT : INCH [mm] SCALE : N/A ±0.005

