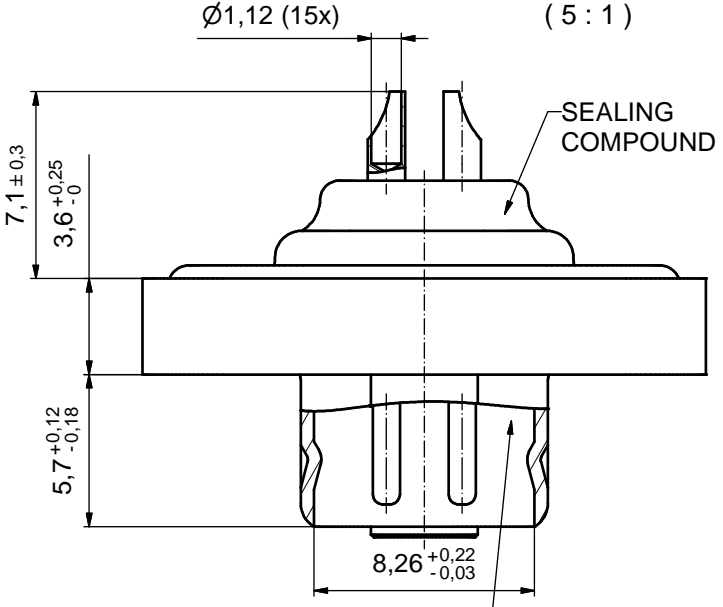
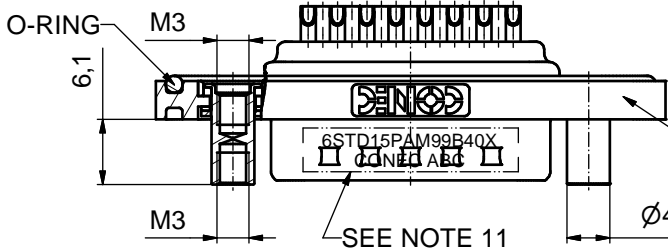
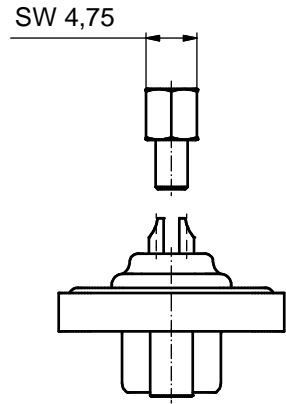
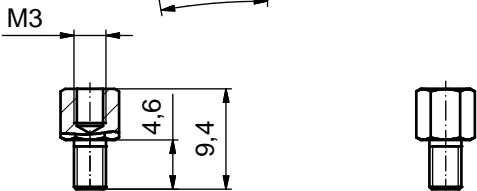
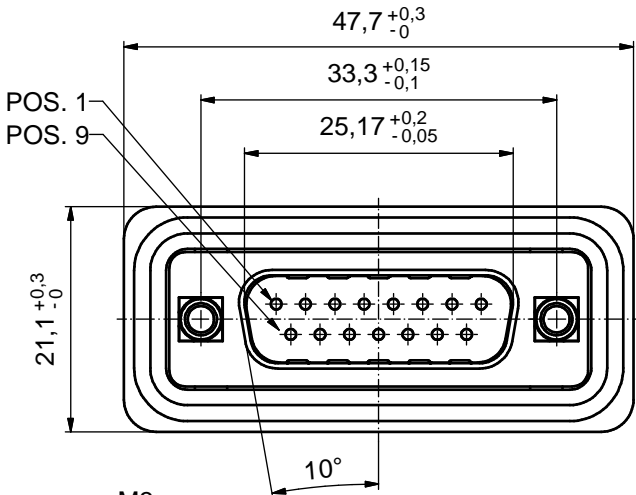


RECOMMENDED PANEL CUT-OUT

AT ALL TIMES WATER RESISTANT CONNECTORS NOT IN USE SHOULD BE COVERED WITH A CONEC WATER RESISTANT CAP OR WATER TIGHT HOOD.



RUBBER GASKET PLACED ON TOP SURFACE OF MALE INSULATOR



NOTES:

1. METALSHELLS: COPPER ALLOY; min. 315µin TIN over 40-80µin NICKEL
2. INSULATOR: PBT GF UL 94 V-0, GREEN
3. CONTACTS: COPPER ALLOY
PLATING: 8µin HARD GOLD over min. 50µin NICKEL
SOLDER CUP ACCEPTS CABLE AWG 20
4. THREADED LOCKS: COPPER ALLOY; min. 200µin TIN over 80µin NICKEL
5. COLLARS: COPPER ALLOY; min. 200µin TIN over 80µin NICKEL
6. HEXLOCKING SCREWS: STAINLESS STEEL
7. FRAME: ZINC DIE CAST; NICKEL PLATED
8. O-RING: SILICON; BLUE
9. RUBBER GASKET: TPE
10. RECOMMENDED TORQUE FOR MOUNTING SCREW 35Ncm (3.1 in.LB) / max. 40Ncm (3.5 in.LB)
11. CONNECTOR IS PART MARKED: 6STD15PAM99B40X CONEC ABC

Directive 2002/95/EC
„RoHS“
Compliant

APPROVAL # FREIGABE # DEBLOCAGE # AUTORIZACION # APPROVAL

CUSTOMER APPROVAL DATE:

NAME: TITLE:

COMPANY NAME:

APPROVAL # FREIGABE # DEBLOCAGE # AUTORIZACION # APPROVAL

THIS DRAWING MAY NOT BE COPIED OR REPRODUCED IN ANY WAY, AND MAY NOT BE PASSED ON TO A THIRD PARTY WITHOUT WRITTEN PERMISSION. OWNERSHIP AND COPYRIGHT OF CONEC GmbH

DO NOT ALTER CAD DRAWING BY HAND

rev.	description	date	name
a	Origin		

tolerance	dim. in mm	scale:	2:1 (5:1)
		material:	SEE NOTES
date	name	title:	
drawn 18.03.10	Petker	D-SUB MALE	
appd. 19.03.10	Fischer	SOLDER CUP 15pos.	
norm		with threaded lock	
d-old		dwg no:	Inventor 10
			DIN-A3
			sh: 1
		part no:	6STD15PAM99B40X

CONEC