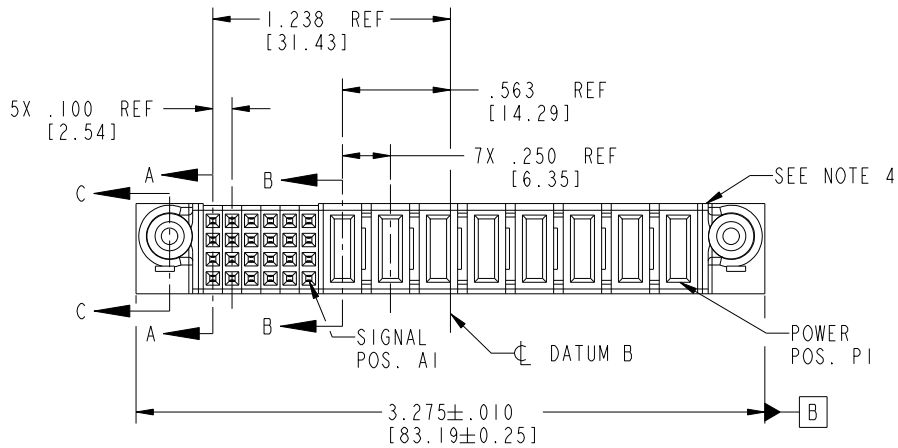


Tous droits strictement réservés. Reproduction ou communication a des tiers interdite sous quelque forme que ce soit sans autorisation écrite du propriétaire. Propriété de c FCI. Droits de reproduction FCI.

All rights strictly reserved. Reproduction or issue to third parties in any form whatever is not permitted without written authority from the proprietor. Property of FCI. Copyright FCI.



PRODUCT NO. 51752-006-- NOTE: 3	ROWS D C B A	SIGNAL					POWER								E1	
		E2	6	5	4	3	2	1	P8	P7	P6	P5	P4	P3		P2
			F	F	F	F	F	PC	PC	PC	PC	PF	PF	PF	PF	



CODE	DIM "M" MATING LENGTH	CONTACT TYPE
F	N/A [N/A]	SIGNAL
PC	.042 [1.07]	POWER
PF	.092 [2.34]	POWER

mat'l code				SEE NOTE 2		tolerances unless otherwise specified		CUSTOMER			
ltr	ecn no.	dr	date	linear	.XX±.01/0.X±0.3	projection		www.fciconnect.com			
A	V20522	JWS	03-14-02		.XXX±.005/0.XX±0.13	INCH/MM		title 8P + 24S VERTICAL PRESS-FIT RECEPTACLE			
B	DG05-0522	GuoJM	12/07/05	angles	.XXX±.0020/0.XXX±0.051	scale 1:1		product family PwrBlade		code 213	
C	DG08-0251	W D	09/13/08	dr	0°±2°			size		sheet 1 of 4	
				engr	J. SHAFFER 03-14-02			A 51752-006			
				chr	M. MOSTOLLER 03-14-02						
				appd	M. MOSTOLLER 03-14-02						
sheet index	revision sheet	C 1	C 2	C 3	C 4						

Pro/E

PDM: Rev: C

STAT: Released

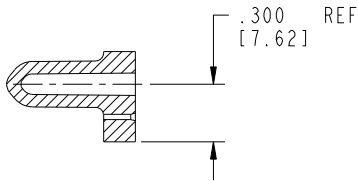
Printed: Dec 20, 2010

Tous droits strictement réservés. Reproduction ou communication a des tiers interdite sous quelque forme que ce soit sans autorisation écrite du propriétaire. Propriété de c FCI. Droits de reproduction FCI.

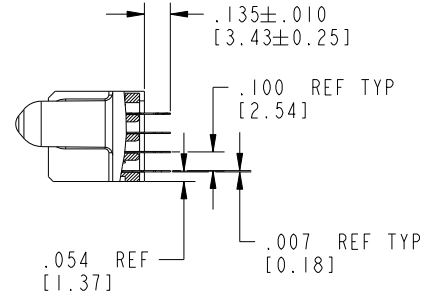
All rights strictly reserved. Reproduction or issue to third parties in any form whatever is not permitted without written authority from the proprietor. Property of FCI. Copyright FCI.



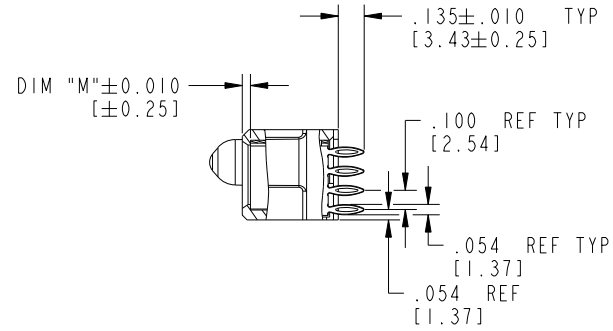
PRODUCT NUMBER
51752-006__
NOTE: 3



SECTION C-C



SECTION A-A



SECTION B-B

mat'l code		SEE NOTE 2		tolerances unless otherwise specified		CUSTOMER		 www.fciconnect.com	
ltr	ecn no.	dr	date	linear	.XX±.01/0.X±0.3	projection	title		
C					.XX±.005/0.XX±0.13		8P + 24S		
				angles	.XXX±.0020/0.XXX±0.051		VERTICAL PRESS-FIT RECEPTACLE		
				dr	0°±2°	INCH/MM	product family		code
				engr	J. SHAFFER 03-14-02	scale	PwrBlade		213
				chr	M. MOSTOLLER 03-14-02	1:1	size	dwg no	sheet
				appd	M. MOSTOLLER 03-14-02		A	51752-006	2
sheet index	revision sheet								

Pro/E

PDM: Rev: C

STATUS: Released

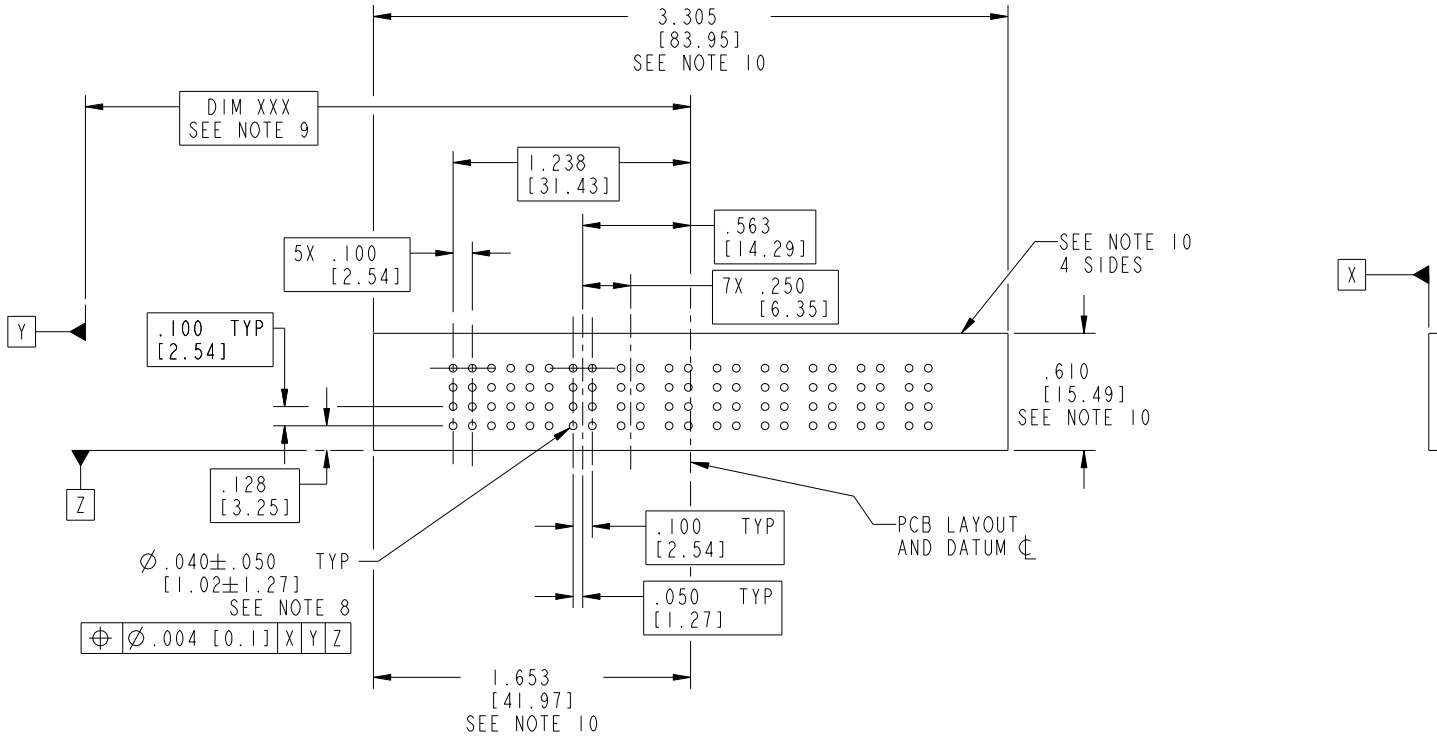
Printed: Dec 20, 2010

Tous droits strictement réservés. Reproduction ou communication a des tiers interdite sous quelque forme que ce soit sans autorisation écrite du propriétaire. Propriété de c FCI. Droits de reproduction FCI.

All rights strictly reserved. Reproduction or issue to third parties in any form whatever is not permitted without written authority from the proprietor. Property of FCI. Copyright FCI.



PRODUCT NUMBER
51752-006__
NOTE: 3



RECOMMENDED PCB LAYOUT

mat'l code				SEE NOTE 2		tolerances unless otherwise specified		CUSTOMER		FCI	
ltr	ecn no.	dr	date	linear	.XX±.01/0.X±0.3	projection	COPY		www.fciconnect.com		
C				angles	.XX±.005/0.XX±0.13	INCH/MM	title		8P + 24S		
				dr	.XXX±.0020/0.XXX±0.051	scale	VERTICAL PRESS-FIT RECEPTACLE		product family PwrBlade		
				enrg	0° ± 2°	1:1	size		dwg no		code
				chr	J. SHAFFER 03-14-02		A		51752-006		213
				appd	M. MOSTOLLER 03-14-02						sheet
					M. MOSTOLLER 03-14-02						3
sheet index	revision sheet										

cage code 2856

Pro/E

PDM: Rev: C

STATUS: Released

Printed: Dec 20, 2010



1 | 2

3 |

4

PRODUCT NUMBER
51752-006__
NOTE: 3

NOTES:

1. DIMENSIONS AND TOLERANCES ARE IN ACCORDANCE WITH ASME Y14.5M, 1994 UNLESS OTHERWISE SPECIFIED.

CONNECTOR NOTES:

2. HOUSING MATERIAL: UL 94 V-0 GLASS FILLED HIGH-TEMP THERMOPLASTIC
POWER CONTACT MATERIAL: COPPER ALLOY
SIGNAL PIN MATERIAL: COPPER ALLOY

△3. SEE ITEM 7 & 8 IN PRINT 10064183 FOR PLATING SPEC OF 51752-006 AND 51752-006LF RESPECTIVELY.

4. MANUFACTURER'S NAME, P/N, AND DATE CODE TO APPEAR ON THIS SURFACE.

5. PRODUCT SPECIFICATION GS-12-149.
APPLICATION SPECIFICATION BUS-20-067.

PCB - NOTES:

6. ALL HOLE DIAMETERS ARE FINISHED HOLE SIZE.

7. MOUNTING HOLES, WHERE APPLICABLE, ARE UNPLATED.

8. $\varnothing .0453 \pm 0.0010$ [1.151 \pm 0.025] DRILLED HOLES PLATED WITH 0.0003 [0.008] MIN SnPb OVER .001 [0.03] TO .003 [0.08] Cu PLATING TO ACHIEVE $\varnothing .040 \pm .003$ [1.02 \pm .07] HOLE.

9. "DIM XXX" TO BE DETERMINED BY THE CUSTOMER.

10. CONNECTOR KEEP-OUT ZONE.

11. A △SYMBOL WILL BE NEXT TO ANY DIMENSION, VIEW, OR NOTE WHICH HAS BEEN MODIFIED WITH THE CURRENT DRAWING REVISION.

mat'l code				SEE NOTE 2		tolerances unless otherwise specified		CUSTOMER		FCI		www.fciconnect.com	
ltr	ecn no.	dr	date	linear	.XX±.01/0.X±0.3	projection	COPY		title				
C					.XX±.005/0.XX±0.13		8P + 24S		VERTICAL PRESS-FIT RECEPTACLE				
				angles	.XXX±.0020/0.XXX±0.051		INCH/MM		product family		code		
				dr	J. SHAFFER 03-14-02	1:1		PwrBlade		213			
				engr	M. MOSTOLLER 03-14-02	scale		size		sheet			
				chr	M. MOSTOLLER 03-14-02	A		51752-006		4			
				appd	M. MOSTOLLER 03-14-02								
sheet index		revision sheet											

1 | 2

Pro/E

PDM: Rev: C

STATUS: Released

Printed: Dec 20, 2010

A

A

B

B

cage code 22526

4