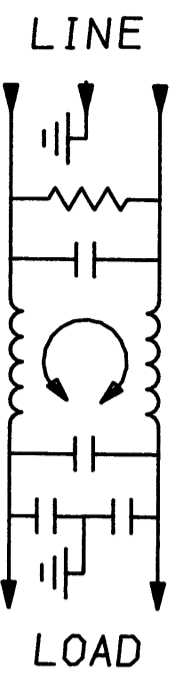
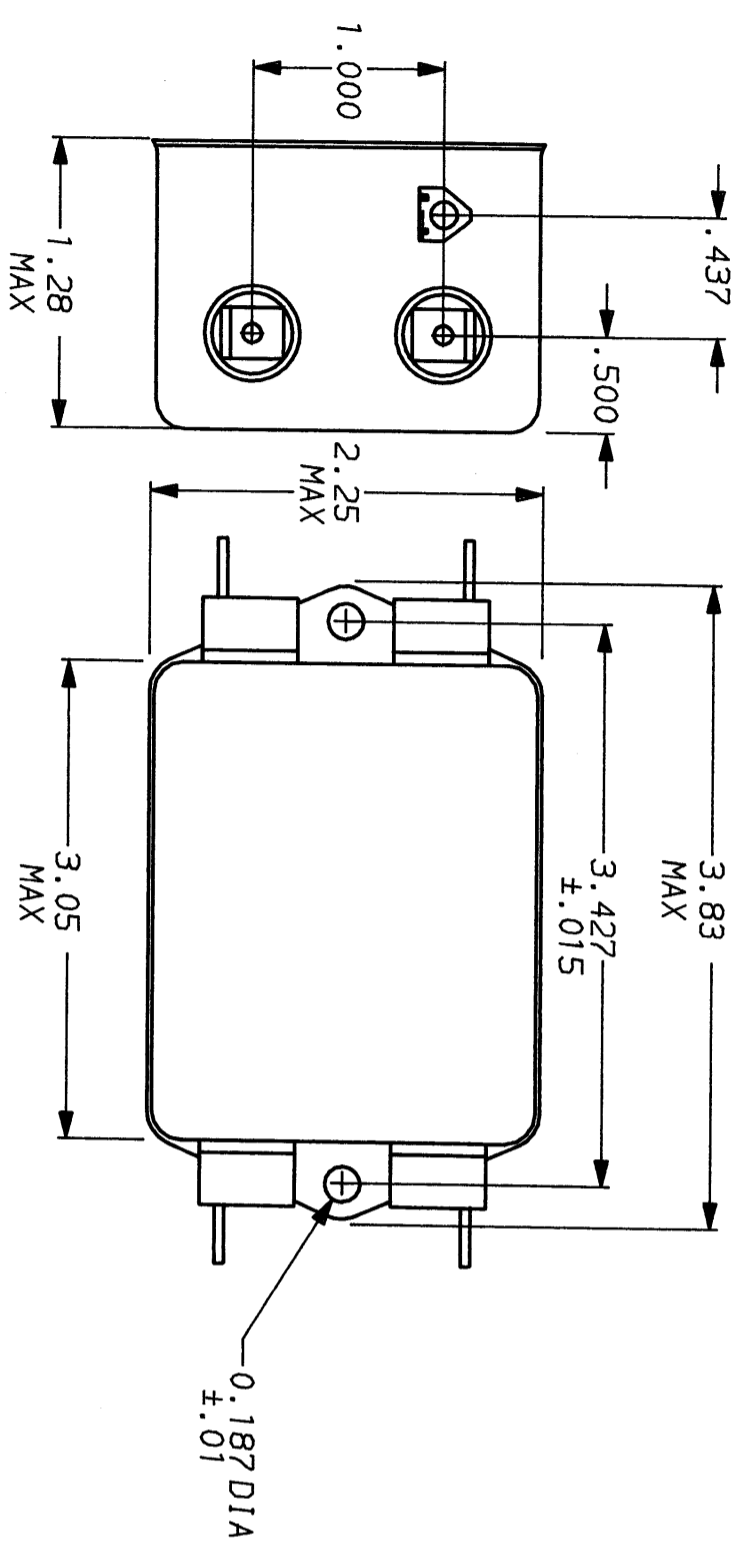


C. W. ...
 APPROVED BY/DATE
 REV 7



SAFETY ORGANIZATION(S):
 THIS FILTER HAS BEEN FORMALLY RECOGNIZED, CERTIFIED OR APPROVED BY THE LISTED AGENCY. THEREFORE, ALL TEST/REQUIREMENTS SPECIFIED IN THE LATEST REVISION OF THE FOLLOWING AGENCY STANDARDS HAVE BEEN MET:

- UL RECOGNIZED
- CSA CERTIFIED
- VDE APPROVED
- SEV APPROVED

OPERATING SPECIFICATIONS:
 LINE VOLTAGE/CURRENT:

- 6 AMP., 120/250 VAC
- 5 AMP./40°C, 250 VAC
- 50-60Hz
- 40°C

LINE FREQUENCY:
 MAX. CASE RISE @ RATED CURRENT:
 MAX. LEAKAGE CURRENT, EACH
 LINE TO GROUND
 OPERATING AMBIENT TEMP. RANGE:

IN AN AMBIENT, T_a , HIGHER THAN 40°C, THE MAXIMUM OPERATING CURRENT, I_o , IS AS FOLLOWS:

$$I_o = I_r \sqrt{\frac{85 - T_a}{45}}$$

- RELIABILITY SPECIFICATIONS:**
 STORAGE TEMPERATURE:
 HUMIDITY:
 CURRENT OVERLOAD TEST:
 TEST SPECIFICATIONS:
 INDUCTANCE:
 CAPACITANCE: (MEASURED @ 1 KHz, 0.25 VAC MAX., 25°C ±1°C)
 LINE TO GROUND:
 LINE TO LINE:
 DISCHARGE RESISTOR
 LINE/GROUND AND LINE/LINE
 INSULATION RESISTANCE

- 8.73 mH NOMINAL
- 6000 MΩ (MIN) AT 100 VDC
- 20°C AND 50% RH
- 40°C TO +85°C
- 21 DAYS @ 40°C 95% RH
- 6 TIMES RATED CURRENT FOR 8 SECONDS
- .006μF ±20%
- .54μF ±20%
- 330 KΩ

RECOMMENDED RECEIVING INSPECTION HIPOUT:
 LINES TO GROUND: 2250 VDC FOR 1 MINUTE
 LINE TO LINE: 1450 VDC FOR 1 MINUTE
FILTER APPROVAL:
 THE BEST WAY TO SELECT AND QUALIFY A FILTER IS FOR YOUR ENGINEERING TO TEST THE UNIT IN YOUR EQUIPMENT.

50Ω - 50Ω (MINIMUM) INSERTION LOSS

FREQUENCY MHz	.01	.02	.05	.08	.15	.5	1	5	10	20	30
COMMON DB	7	13	21	25	32	44	45	45	45	38	27
DIFF. DB	1	1	2	3	25	59	65	65	65	50	50

This document is proprietary to CORCOM INC. and is not to be reproduced nor used for manufacturing purposes except on CORCOM's order or prior written consent.

TOLERANCE EXCEPT AS NOTED
 DECIMAL: .XXX .XX .X ANGLES ± 1°
 ENGLISH: ±.025
 METRIC: ±
MATERIAL:
 AS SUPPLIED
FINISH:
 AS SUPPLIED

CORCOM
 LIBERTYVILLE, IL 60048
POWER LINE FILTER

SCALE	DATE	DRG. NO.	REV.
NTS	9-12-89	GESK1	07
DRW. BY	ORIGINATOR		
TDL	CW		