

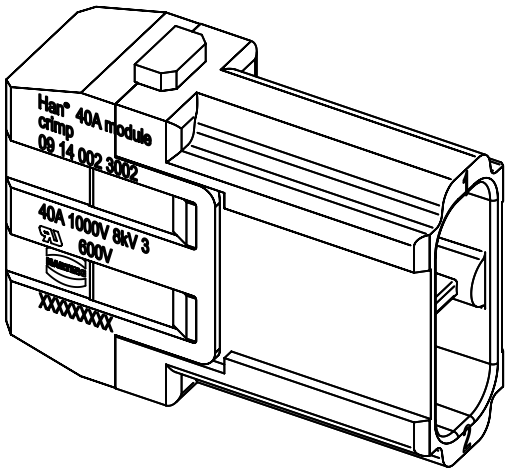
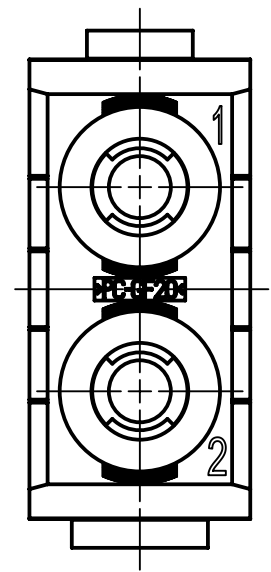
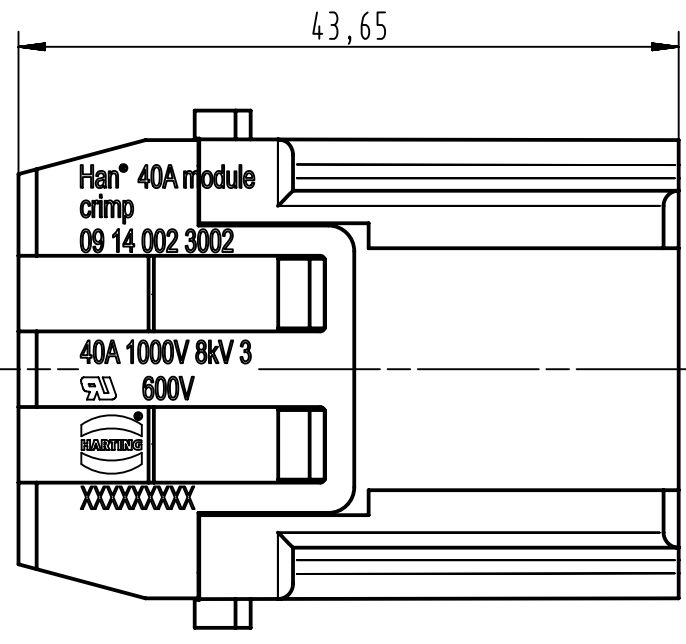
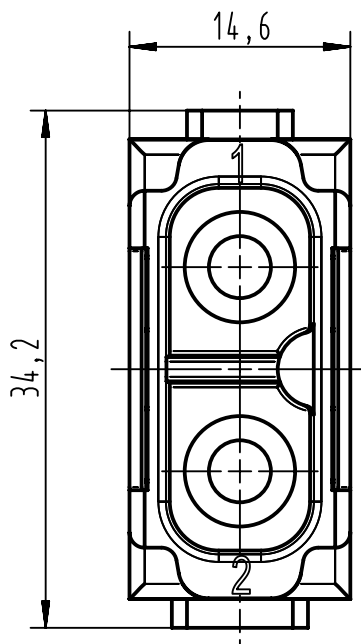
1 2 3 4 5 6

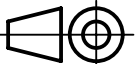

A

B

C

D



 All Dimensions in mm Original Size DIN A4	Scale 2:1	Free size tol.			Ref. Sub. TB 09 14 002 3002 v. 14.10.08	
	 All rights reserved Department EL PD - DE	Created by HOLLERT	Inspected by BERGHORN	Standardisation SCHMIDTM	Date 2013-03-19	State Final Release
HARTING Electric GmbH & Co. KG D-32339 Espelkamp					Title Han 40A crimp module, male Doc-Key / ECM-Nr. 100533576/UGD/002/A 500000060095	
Type TB		Number 09 14 002 3002			Rev. A	Page 1/1