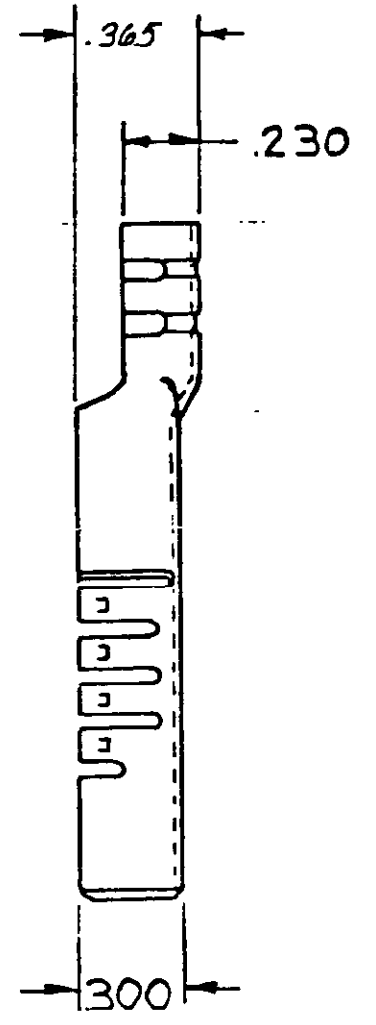
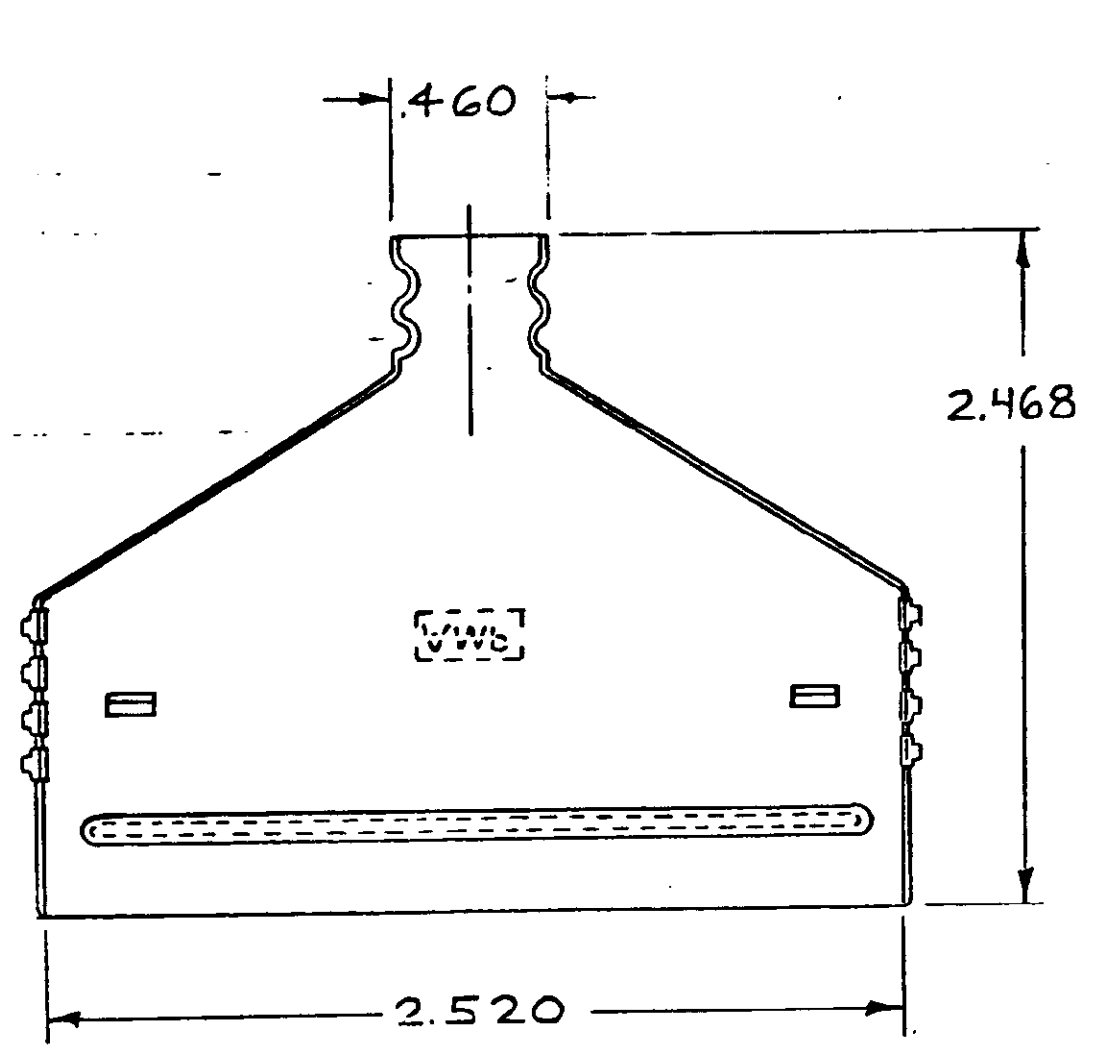


1 LOC AD DIST 39

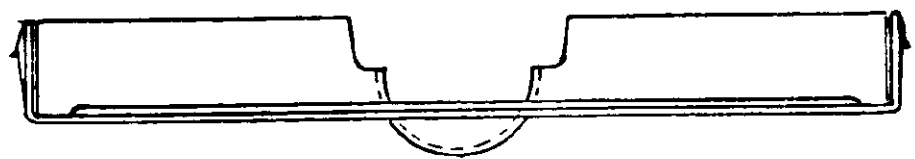
DRAWING MADE IN THIRD ANGLE PROJECTION

© COPYRIGHT 1983 BY AMP INCORPORATED, HARRISBURG, PA.
 ALL INTERNATIONAL RIGHTS RESERVED. AMP INCORPORATED PRODUCTS
 COVERED BY U. S. AND FOREIGN PATENTS AND/OR PATENTS PENDING.

| REVISIONS | | | | | | |
|-----------|---|------|-----|--------------------------|------|----------|
| P | F | ZONE | LTR | DESCRIPTION | DATE | APPROVED |
| ✓ | | | D | REDRAWN PER 0010-0226-96 | 3-96 | ED/JH |



103157-2 I. AS SHOWN



| | | | | | |
|---|--|-------------------------------------|--|---|------------------------|
| UNLESS OTHERWISE SPECIFIED DIMENSIONS ARE IN INCHES. TOLERANCES ON: DECIMALS ± .010 ANGLES ± 1° | | CONTRACT NO | | AMP INCORPORATED Harrisburg, Pa | |
| MATERIAL BRASS .020 THICK | | DR: <i>CC Brandberg 3-25-96</i> | | NAME SHELL, INNER, 180° CABLE EXIT AMPMODU MT, 50 POSITION SHIELDED CONNECTOR | |
| FINISH PRE-TIN .000030 MIN | | CHK: <i>W. Harrington 3-26-96</i> | | SIZE B | CODE IDENT NO 00779 |
| | | APPRO: <i>W. Harrington 3-26-96</i> | | DRAWING NO 103157 | |
| | | DSGN APPD: / | | SCALE NTS | SHEET 1 OF 2 |
| | | OTHER APPD | | PART NO | |