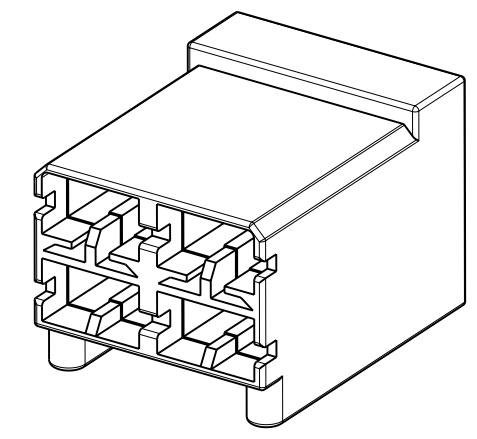
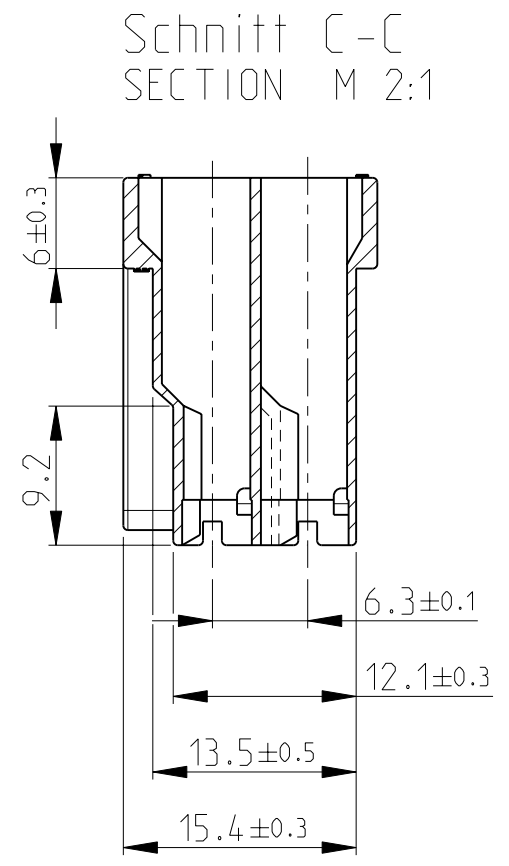
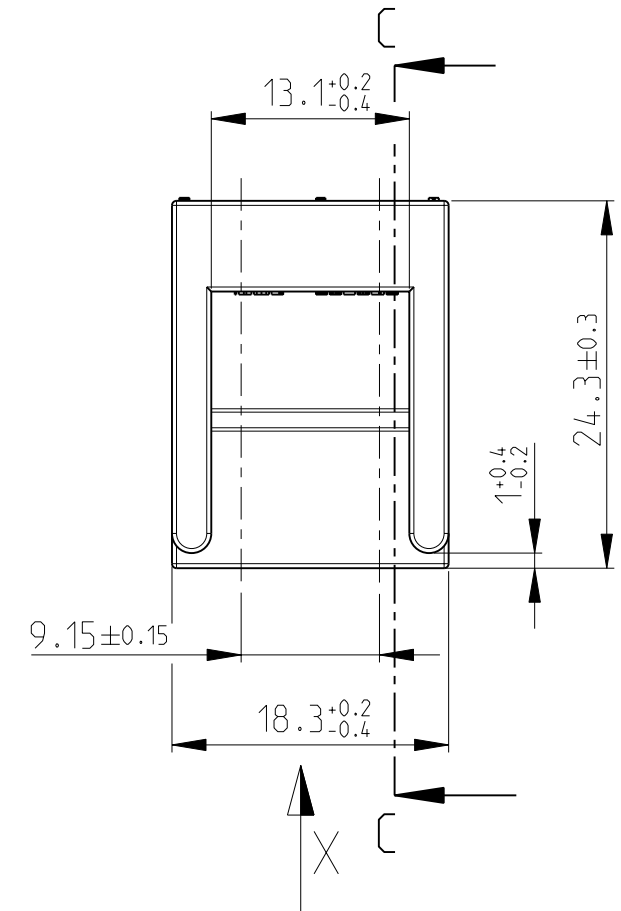
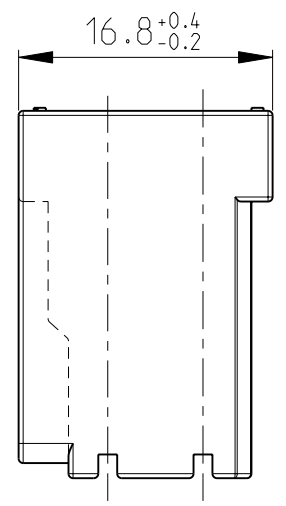


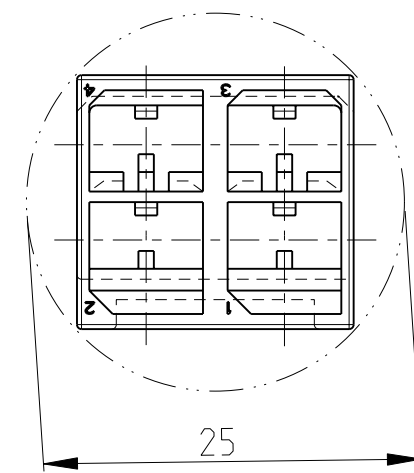
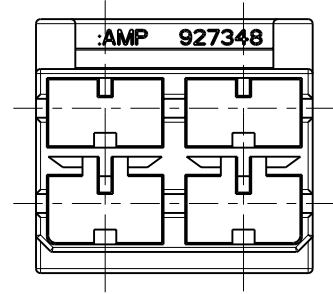
THIS DRAWING IS UNPUBLISHED. RELEASED FOR PUBLICATION 20
 © COPYRIGHT 20 BY TYCO ELECTRONICS CORPORATION. ALL RIGHTS RESERVED.

LOC	DIST	REVISIONS			
P	LTR	DESCRIPTION	DATE	DWN	APVD
A1	-				
	1	-3 of u.-4 natur ergänzt	29SEP1986	-	-
	2	-5 gelb ergänzt	24NOV1986		
	B	DATA IN CAD	02JUN2008		



war 82-9388
WAS

Ansicht X
VIEW



Bemerkungen:
NOTES
 Nicht bemaßte Wanddicken 0.9^{+0.2}/_{-0.4}
 NOT SPECIFIED WALL THICKNESS
 Nicht bemaßte Radien R0.3^{+0.2}
 NOT SPECIFIED RADII

②	927348-5	B	PA 6.6	YELLOW
	927348-4	B	PA 6.6	NATURAL
①	927348-3	B	PA 6.6	RED
	927348-2	B	PA 6.6	GREY
	927348-1	B	PA 6.6	BLACK
	ORDER NO.	REV.	MATERIAL	COLOUR

THIS DRAWING IS A CONTROLLED DOCUMENT FOR TYCO ELECTRONICS CORPORATION IT IS SUBJECT TO CHANGE AND THE CONTROLLING ENGINEERING ORGANIZATION SHOULD BE CONTACTED FOR THE LATEST REVISION.		DWN PETTKE 070CT1982	Tyco Electronics AMP GmbH 64625 Bensheim (Germany)	
DIMENSIONS: mm		CHK ULLRICH 080CT1982		
TOLERANCES UNLESS OTHERWISE SPECIFIED: ±0.2		APVD -	NAME 4 POS. POSITIVE LOCK HOUSING SERIES 6.3 (.250)	
0 PLC ± 1 PLC ± 2 PLC ± 3 PLC ± 4 PLC ± ANGLES ±1.5°		PRODUCT SPEC -	SIZE A3	
MATERIAL -		APPLICATION SPEC -	CAGE CODE 00779	DRAWING NO 927348
FINISH -		WEIGHT -	RESTRICTED TO -	
CUSTOMER DRAWING			SCALE 2:1	SHEET 1 OF 1
			REV B	