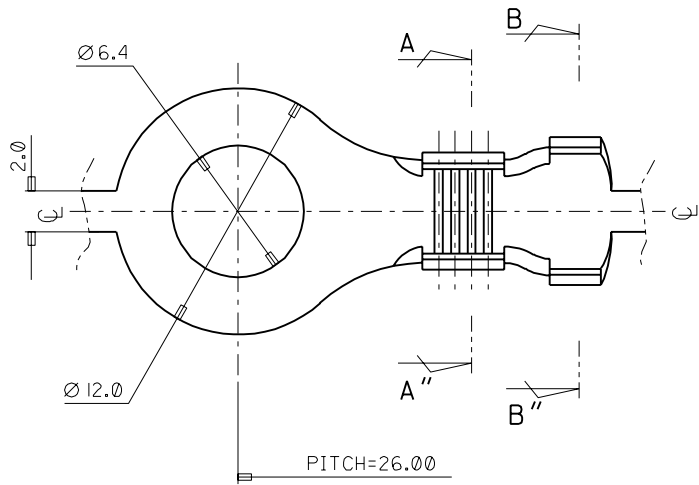
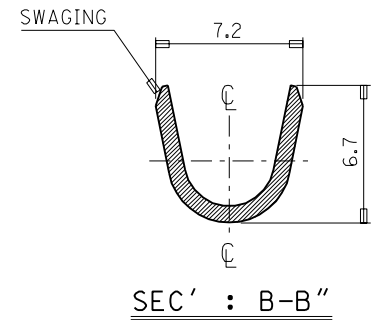
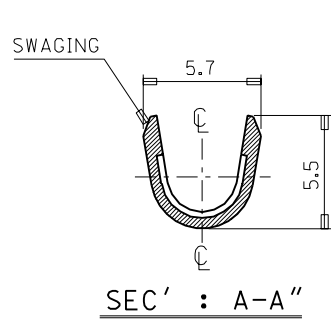
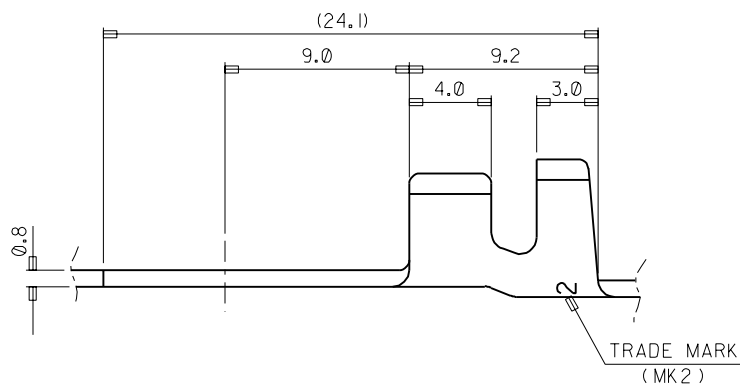


ENG. NO. SD 35750-19*0
 EDP NO.
 SIMILAR ITEM
 PROJECT NO. Ø6.4 RING TM'L
 DO NOT SCALE DRAWING
 DIMENSION IN METRIC



- NOTES
- MATERIAL : BRASS . 0.8mm THICKNESS
 - FINISH : 35750-1900 : UNPLATED
 35750-1910 : POST PLATED TIN
 35750-1940 : POST PLATED TIN-LEAD
 - RECOMMENDED LENGTH OF WIRE STRIP IS 5.6-6.2mm.



ASS'Y PART		QTY/REEL OR PACK	SURFACE AREA	MATERIAL	WIRE RANGE	GENERAL TOLERANCES	MOLEX MOLEX-KOREA CO.,LTD.				
DESCRIPTION	ENG.NO.	2,000 Q'TY /REEL	MM ²	SEE NOTES	AWG: #16-#10	DIM. : ±0.30					
C	REVISED	93-023	93.11.3	DIE NO. / / /	MM ² : 1.38-5.4	REVISE ONLY ON CAD SYSTEM					
B	REVISED	93-019	93.8.17	LAYOUT NO. / / /	INSULATION RANGE	TITLE: Ø 6.4 RING TM'L(LA206) 1 of 1					
A	CAD REDRAWING	93-016	93.7.12	WIRE CRIMP WIDTH / / /	SCALE 4.5/1	ENG.NO. SD 35750-19*0					
LTR	REVISION RECORD	ECN	DR./CHK	DATE	DIE FEED	APPL FEED 26.00	WBDW / / /	IBDW / / /	APP'D BY	SCALE	REV C