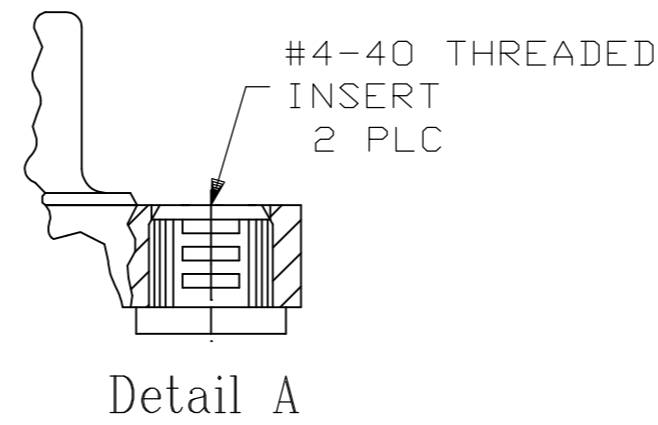
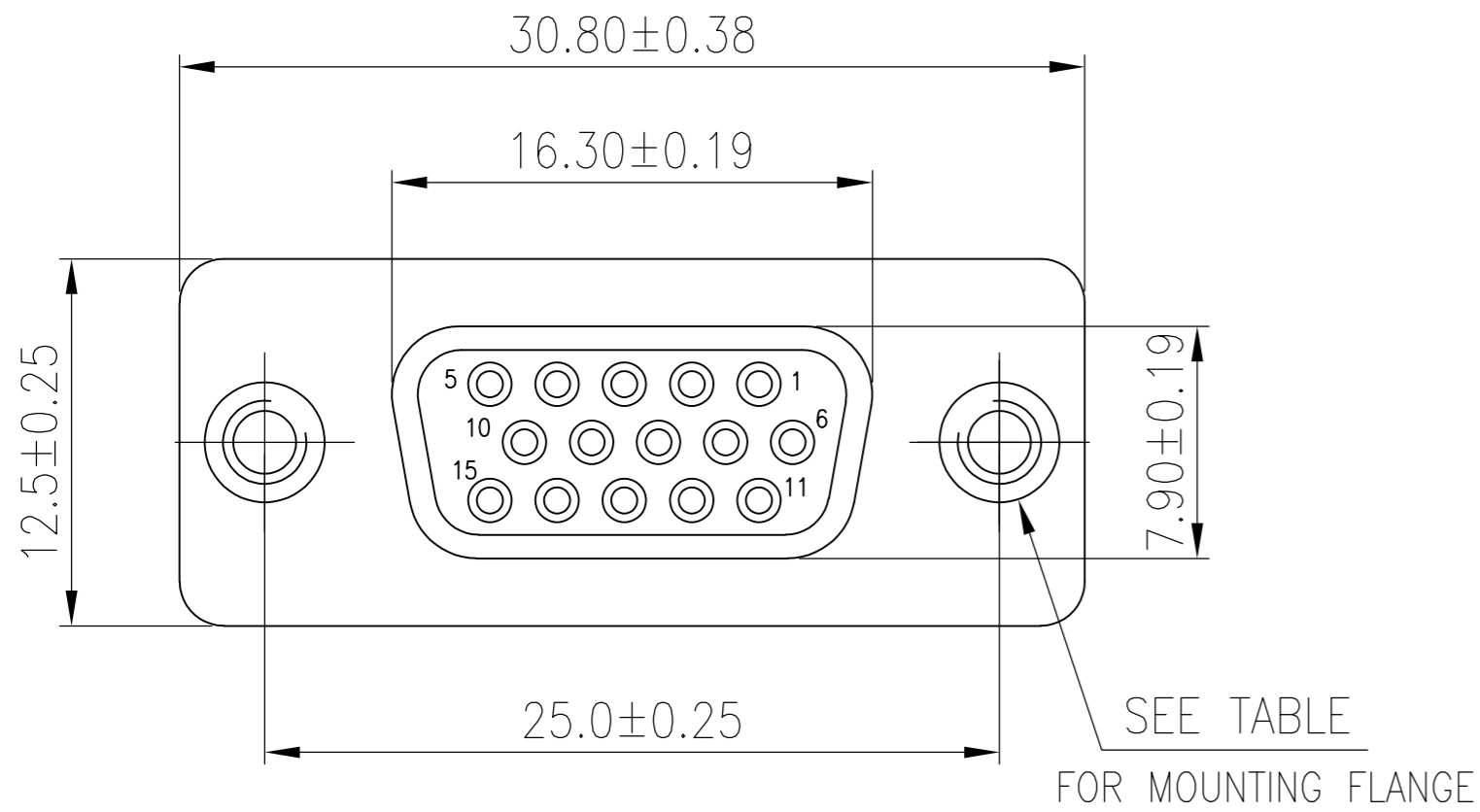
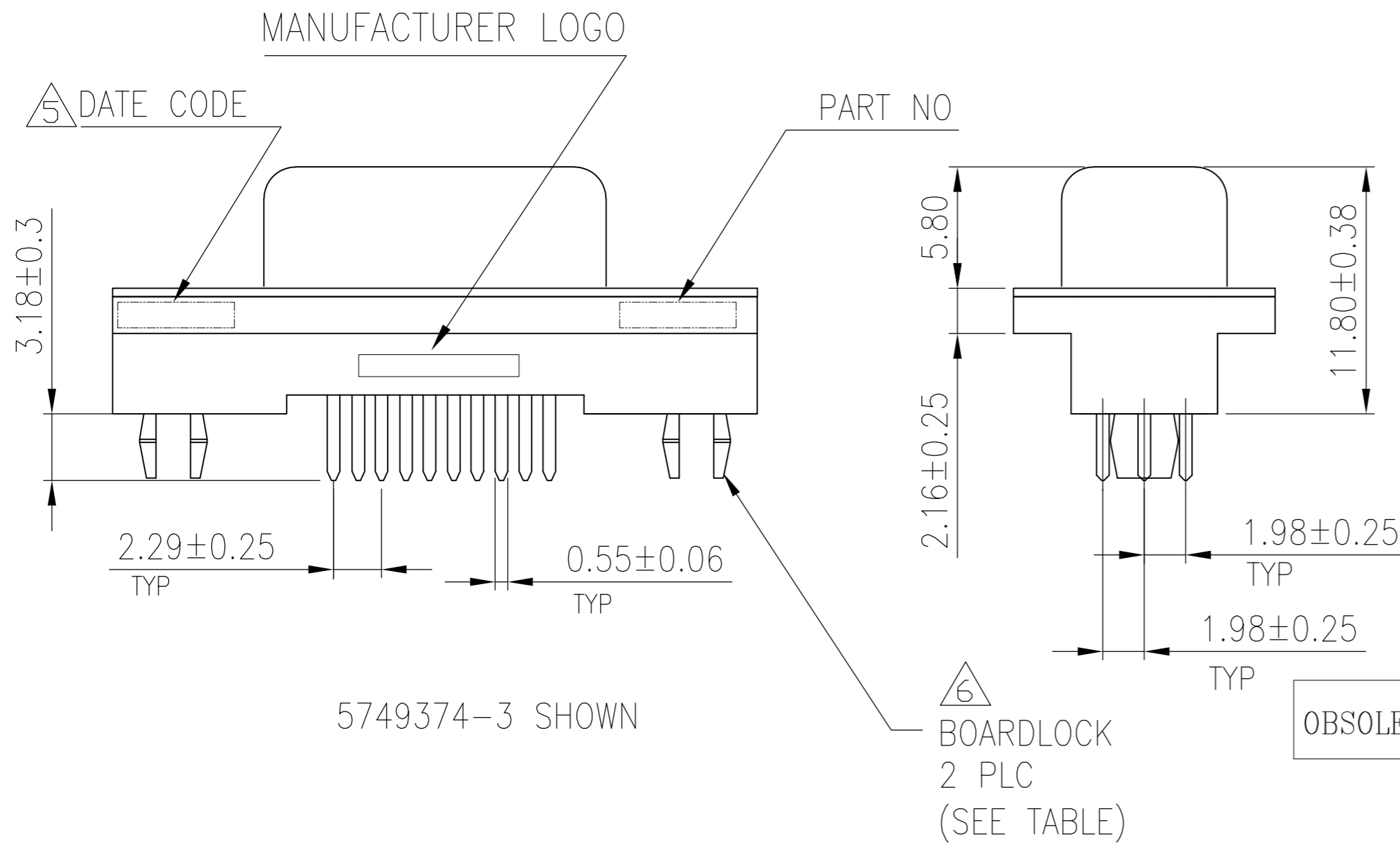


THIS DRAWING IS UNPUBLISHED. RELEASED FOR PUBLICATION
 © COPYRIGHT - By - ALL RIGHTS RESERVED.

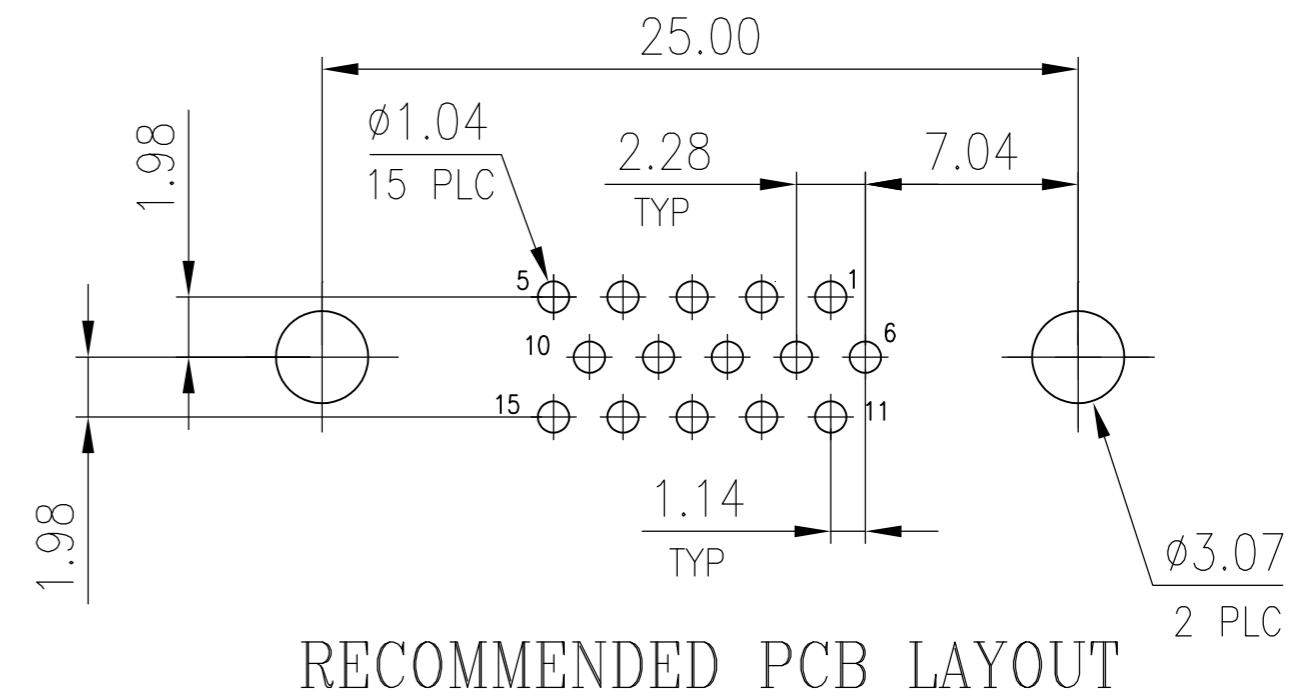
LOC		DIST		REVISIONS			
P	LTR	DESCRIPTION		DATE	DWN	APVD	
GP	00	C1		REVISED PER ECO-11-004835	11MAR11	RK HMR	



- HOUSING: PBT, 30% GF POLYESTER, UL 94V-0 RATED, COLOR BLACK.
 - CONTACTS: PHOSPHOR BRONZE, GOLD PLATE IN MATING AREA (SEE TABLE), 120μ" MIN TIN PLATE ON SOLDER TAIL, BOTH OVER 50μ" MIN NICKEL UNDERPLATE.
 - SHELL: STEEL, NICKEL PLATE.
 - THREADED INSERTS AND BOARDLOCKS: BRASS, 30μ" MIN NICKEL PLATE (-1 & -7); 100μ" MIN TIN PLATE OVER 50μ" MIN NICKEL UNDERPLATE (-3).
- △5 FOUR DIGIT DATE CODE IN THIS FORMAT.
 01 45
 YEAR MANUFACTURING WEEK
- △6 MAXIMUM SHAFT LENGTH OF SCREWLOCK TO ALLOW THE SCREWLOCK HEAD TO SIT FLAT ON S-SUB IS 4.70. RECOMMENDED TE CONNECTIVITY SCREWLOCK IS 5747877-3.



5749374-3 SHOWN



OBSOLETE	No	Tray	Detail A	15 μ" MIN GOLD	5749374-7
	Yes	Tray	Detail A	30 μ" MIN GOLD	△6 5749374-3
	No	Tray	Detail A	30 μ" MIN GOLD	5749374-1
BOARDLOCK		Packaging	Mounting Flange Config	Contact Mating Area Finish	Part No

THIS DRAWING IS A CONTROLLED DOCUMENT.		DWN R.RICHARDSON 31MAY05	STE TE Connectivity	
DIMENSIONS: mm		CHK S.BOLASH 31MAY05		
TOLERANCES UNLESS OTHERWISE SPECIFIED:		APVD M.WALMSLEY 31MAY05	NAME	
0 PLC ± -		PRODUCT SPEC	AMPLIMITE HD-22	
1 PLC ± 0.30		APPLICATION SPEC	15 POS RECEPTACLE, VERTICAL	
2 PLC ± 0.20		108-1092	SIZE	CAGE CODE
3 PLC ± 0.10		114-13199	A2	00779
4 PLC ± -		WEIGHT	DRAWING NO	RESTRICTED TO
ANGLES ± 2°		-	C=5749374	-
FINISH		CUSTOMER DRAWING	SCALE 1:1	SHEET 1 OF 1
			REV C1	