

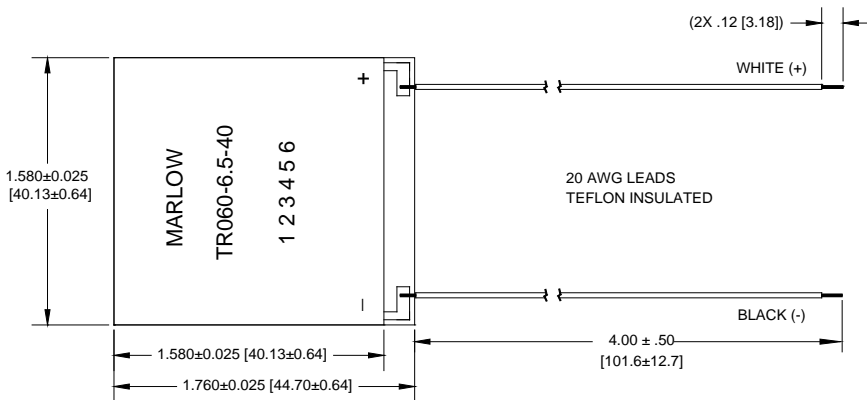


TR060-6.5-40

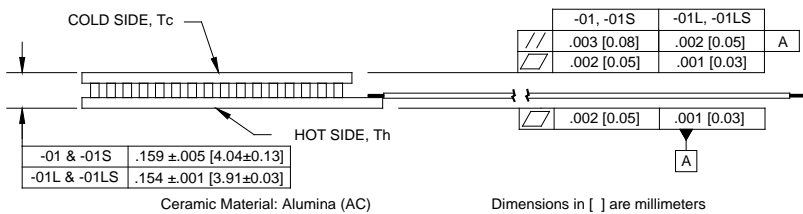
Single-Stage Thermoelectric Cooler
RoHS EU Compliant

MECHANICAL CHARACTERISTICS

TYPICAL PERFORMANCE VALUES



Hot Side Temperature (°C)	27°C	50°C
Δ Tmax (°C-dry N ₂):	76	86
Qmax (watts):	61	66
I _{max} (amps):	6.5	6.5
V _{max} (vdc):	15.8	17.8
AC Resistance (ohms):	2.1	---



-01, -01L, -01S, -01LS

ORDERING OPTIONS

Model Number	Description
TR060-6.5-40-01	Leadwires
TR060-6.5-40-01L	Leadwires, Lapped
TR060-6.5-40-01S	Leadwires, Sealed
TR060-6.5-40-01LS	Leadwires, Lapped, Sealed
TR060-6.5-40-03LS	Leadwires, Lapped, Sealed
TR060-6.5-40-04LS	Leadwire Joints, Hi-Pot Tested
TR060-6.5-40-04LS	Leadwires 120mm, Lapped, Sealed

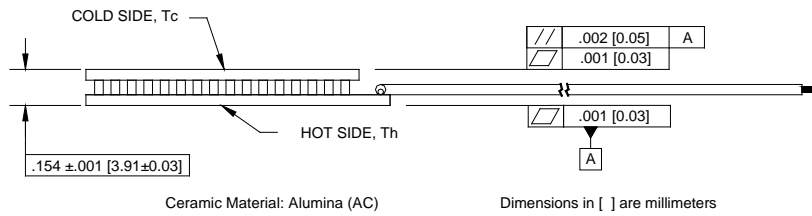
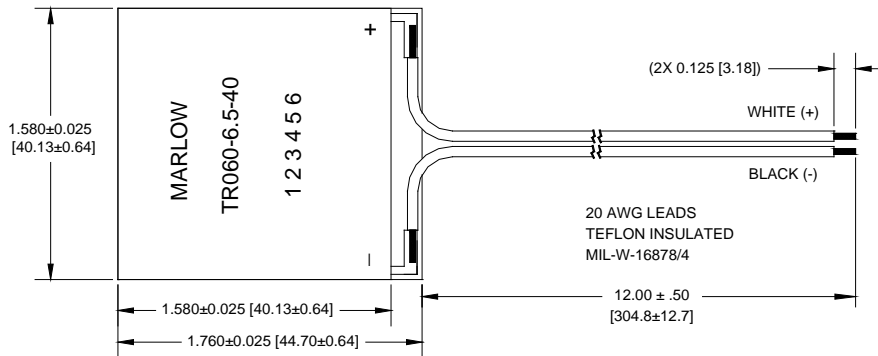
STANDARD FEATURES

- Solid-state reliability.
- Built with high temperature solder with the ability to withstand higher assembly processing temperatures for short periods of time (<160°C).
- Designed for rugged environment.

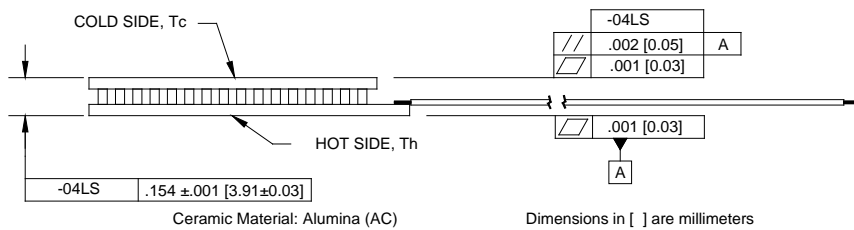
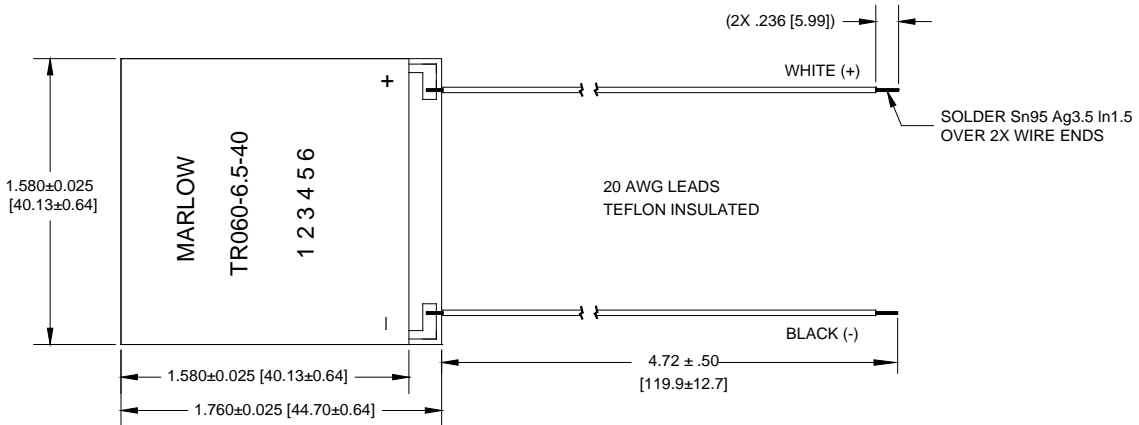
AVAILABLE OPTIONS

- Perimeter sealing
- Lapped for multiple module applications.
- Custom leadwires

MECHANICAL CHARACTERISTICS

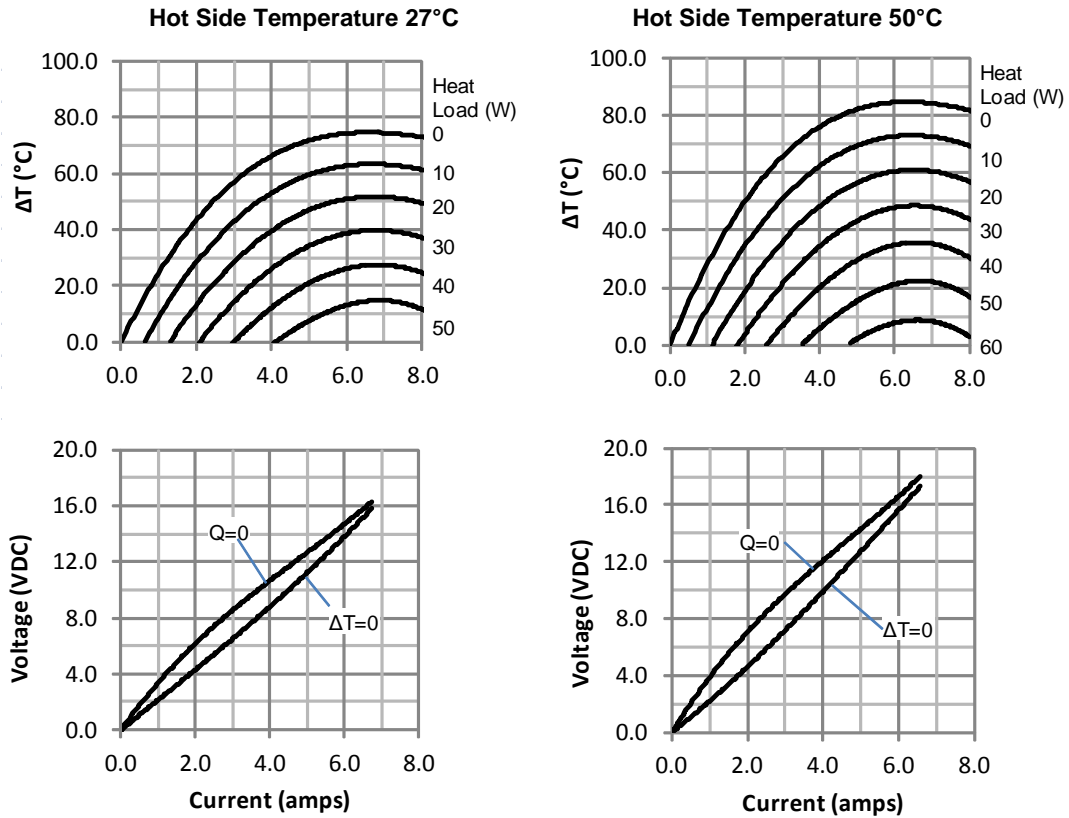


-03LS



-04LS

ENVIRONMENT: ONE ATMOSPHERE DRY NITROGEN (TYPICAL CURVES)



For performance information in a vacuum or with hot side temperatures other than 27°C or 50°C, contact one of our Applications Engineers at 877-627-5691.

Installation

Recommended mounting method: Clamp with uniform pressure to a flat surface with thermal interface material. For additional information, please refer to our TEC Installation Guide.

Operation Cautions

For maximum reliability, storage and operation below 85°C in a non-condensing environment is recommended. To minimize thermal stress, use linear/proportional temperature control or a similar method rather than an ON/OFF method.

CONTACT US:

For customer support or general questions please contact a local office below or visit our website at www.marlow.com.

Marlow Industries, Inc.
 10451 Vista Park Road
 Dallas Texas 75238-1645
 214-340-4900 (tel)
 214-341-5212 (fax)
 877-627-5691 (tech support)
www.marlow.com

Marlow Industries Europe GmbH
 Brunnenweg 19-21
 64331 Weiterstadt
 Germany
 Tel.: +49 (0) 6150 5439 - 403
 Fax: +49 (0) 6150 5439 - 400
info@marlow-europe.eu

II-VI Japan Inc.
 WBG Marive East 17F
 2-6 Nakase, Mihama-ku
 Chiba-Shi, Chiba 261-7117
 Japan
 81 43 297 2693 (tel)
 81 43 297 3003 (fax)
center@ii-vi.co.jp
www.ii-vi.co.jp

II-VI Singapore Pte., Ltd.
 Blk. 5012, Techplace II
 #04-07 & 05-07/12, Ang Mo Kio Ave. 5
 Singapore 569876
 (65) 6481 8215 (tel)
 (65) 6481 8702 (fax)
info@ii-vi.com.sg
www.ii-vi.com.sg

Marlow Industries China, II-VI
 Technologies Beijing
 A subsidiary of II-VI Incorporated
 Rm 202, 1# Lize 2nd Middle Road
 Wangjing, Chaoyang District
 Beijing 100102 China
 010-64398226 ext 105 (tel)
 010-64399315 (fax)
info@iivbj.com