



ANGELETTE-WAS – Unique uniformity in illumination, floor to ceiling

LEDiL introduces the new ANGELETTE-WAS wall washer which uniquely utilizes the efficiency of COB's in wall washing, thus providing a heretofore unseen uniformity and light pattern quality. This superior wall-washer design is optimized for use with COB's up to LES 22.

Being part in LEDiL's System Reflector philosophy, the ANGELETTE family is compatible with our existing range of ANGELA/ ANGELINA clamps and also with the solderless connectors from IDEAL, Molex and TE. BJB compatible version will be available soon. It will also work with other auxiliary ANGELA/ANGELINA parts like LEDiL's proprietary colour mixing RZ sub lens.

FEATURES

- Beautiful & uniform illumination from floor to ceiling
- High efficiency wall-washing optimized for COB's 14 up to 22 LES
- Part of LEDiL's System Reflector philosophy; future-proof and versatile solution sharing the same interface with LEDiL's ANGELA and ANGELINA reflector families
- Works with TE, Molex and Ideal solderless 50mm Zhaga book 3 compliant connectors
- Interface for BJB solderless 50mm Zhaga book 3 compliant connectors coming soon
- Reflector's size is industry standard AR111 size fixtures



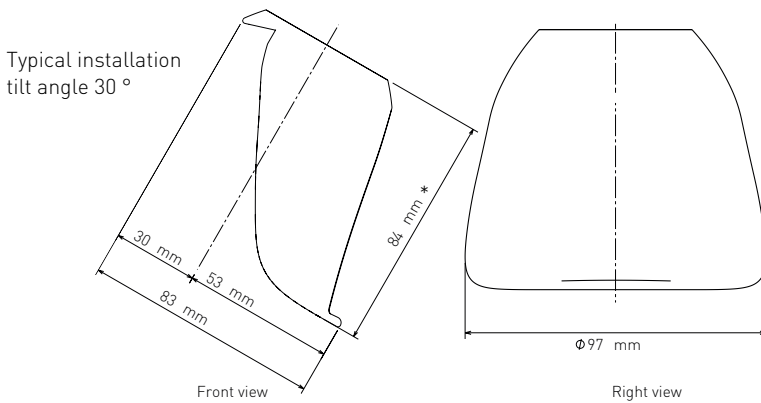
C14346_ANGELETTE-WAS

TYPICAL APPLICATIONS

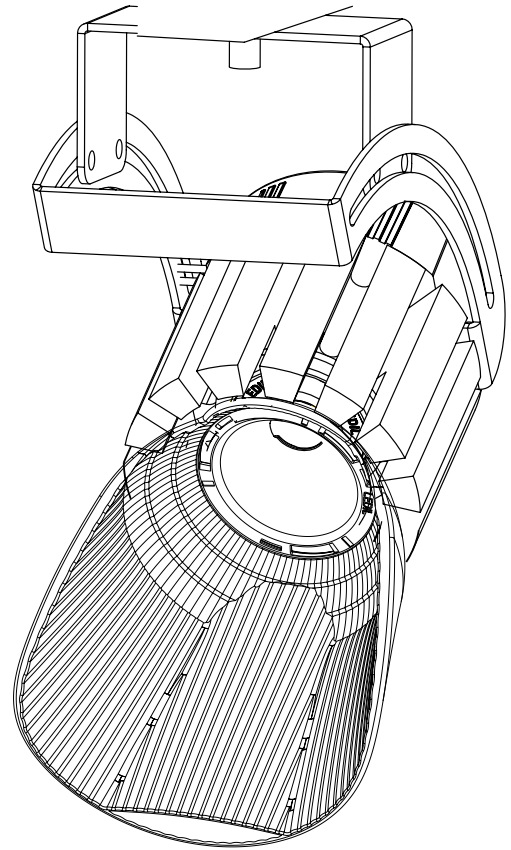
- Track lighting
- Wall washing

TECHNICAL SPECIFICATIONS

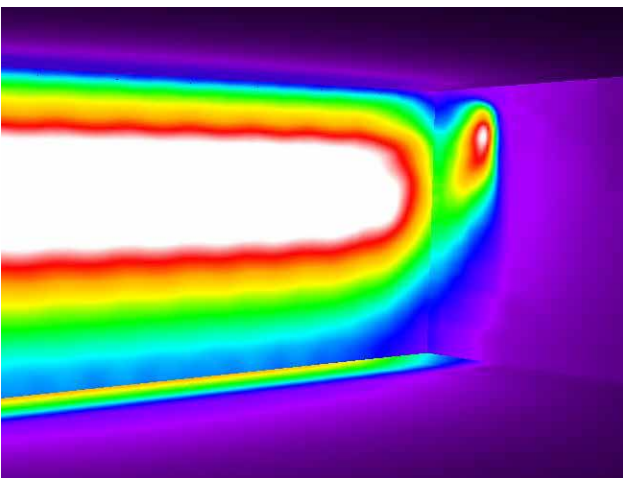
- Height 84 mm
- Diameter 97 x 83 mm
- High efficiency wall-washing optimized for COB's 14 up to 22 LES
- Well suited for track mounted luminaires
- LEDiL clamps available for a variety of COB's from most suppliers, like Bridgelux, Citizen, Cree, Nichia and Osram
- Works with TE, Molex and Ideal solderless 50mm Zhaga book 3 compliant connectors



* Depending on a connector, add 3-7 mm to the total height



APPLICATION EXAMPLE



- Ceiling height 4 meters, wall width 12 meters, 15 luminaires installed on a track suspended 20 cm lower
- Track installed 1,5 meter distance from the wall
- Distance between luminaires 80 cm
- Luminaire flux with each luminaire 4000 lm
- $E_{av} = 755 \text{ lx}$,
 $E_{max} = 1340 \text{ lx}$, $U_0 = 0.1614$

ORDERING INFORMATION

C14346_ANGELETTE-WAS

Visit www.ledil.com for ordering codes and latest product specifications, which may vary by LED