

PRODUCT NUMBER
10121350-YXXLF

LEAD FREE
SEE NOTE 8

PIN STYLE, SEE SHEET 2

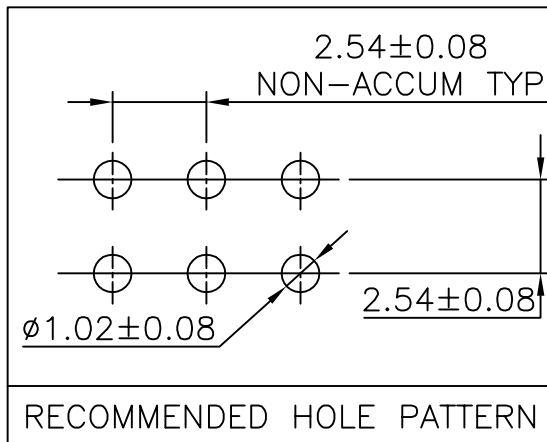
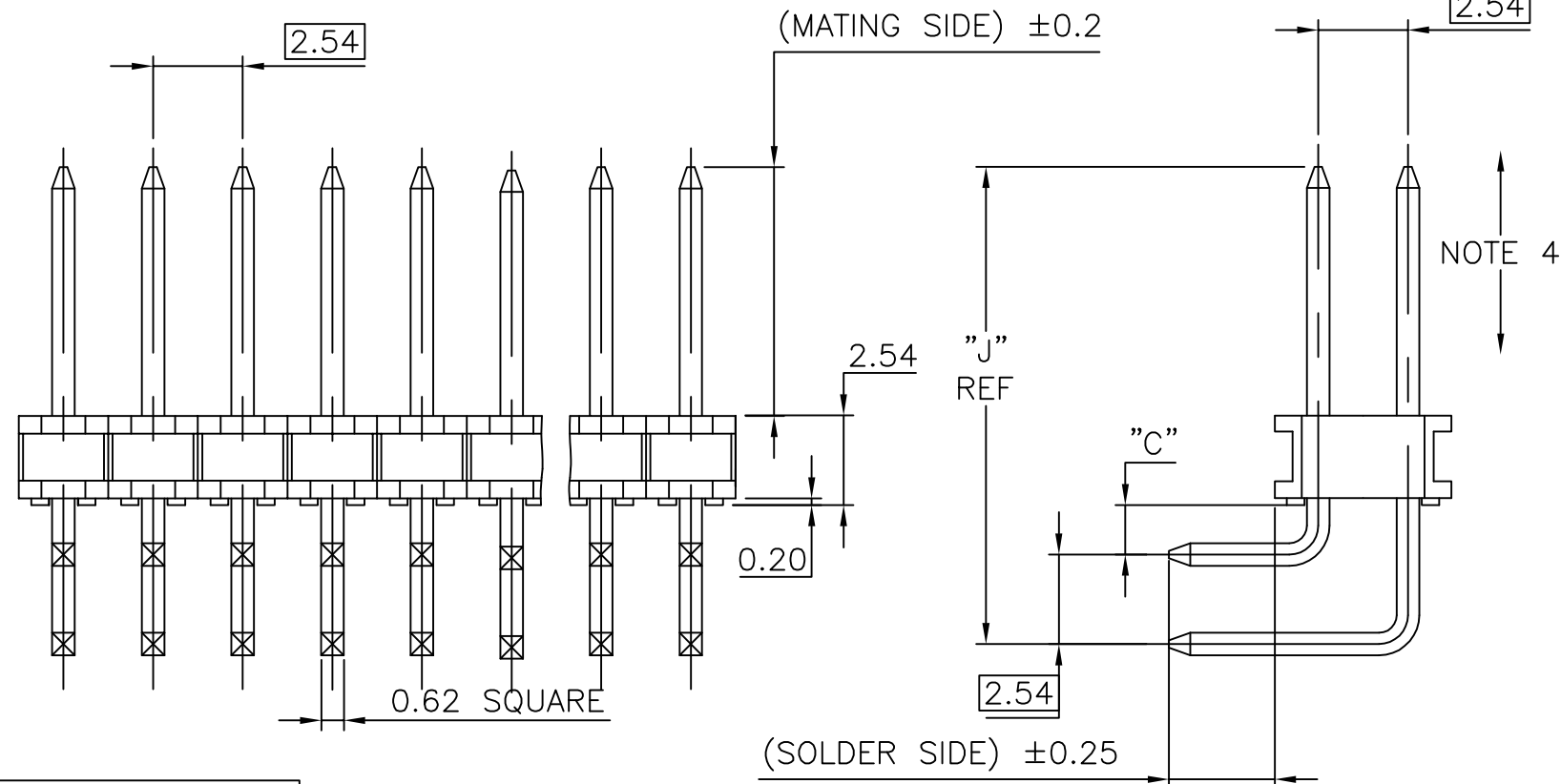
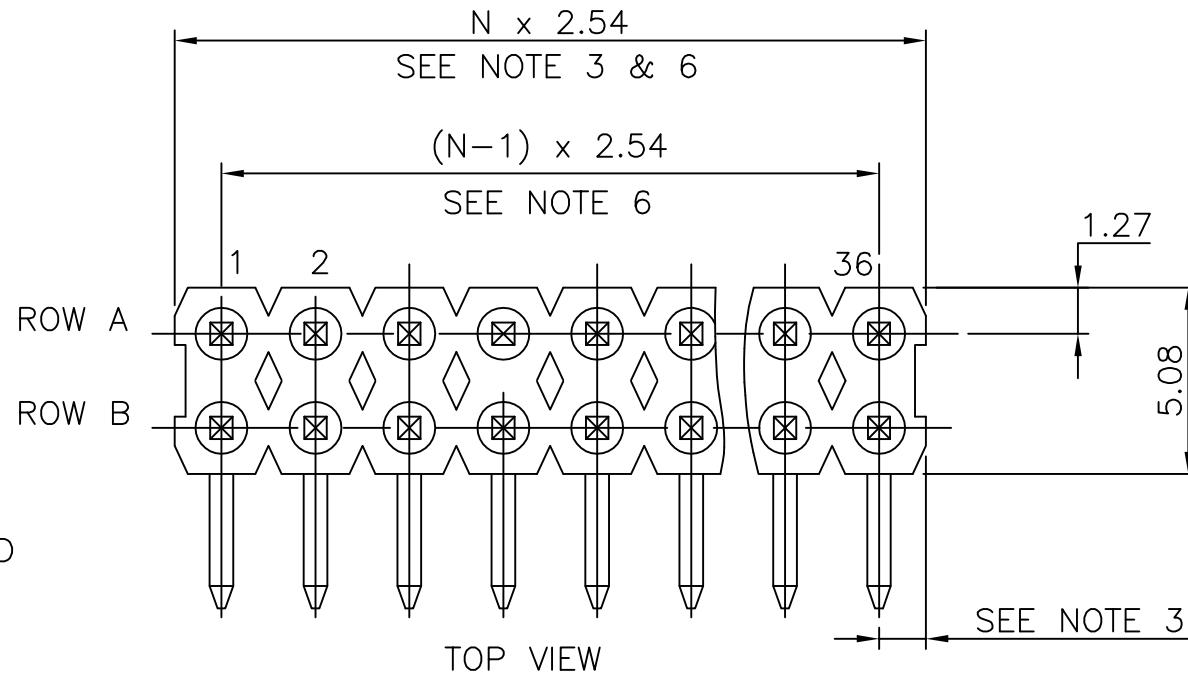
PLATING:

- 1 = 0.76µm FULL GOLD/GXT, OVER 1.27µm Ni MIN
- 3 = 3.81µm FULL TIN/LEAD OVER 1.27µm Ni MIN.
WHEN "LF" IS REQUIRED, 2µm MATTE TIN OVER
1.27µm MIN NICKEL IS PROVIDED INSTEAD OF TIN-LEAD
- 8 = 0.38µm FULL GOLD/GXT, OVER 1.27µm Ni MIN

NOTES:

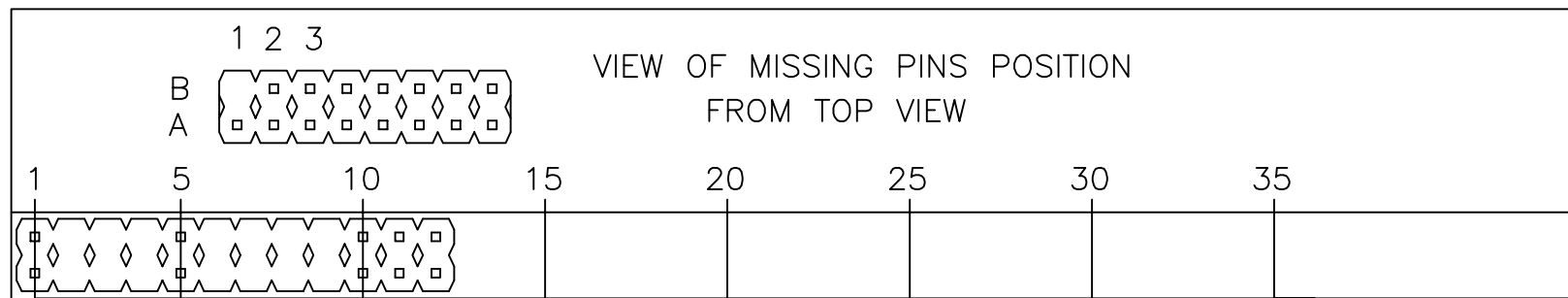
1. HOUSING MAT'L : HIGH TEMPERATURE THERMOPLASTIC
FLAME RETARDANT PER UL94-V0, COLOR BLACK.
2. PIN MATERIAL : PHOSPHOR BRONZE.
3. DIM 1.27^{+0.03}_{-0.13} FOR MOULDED SIDE(S)
ONLY. IF SIDE(S) ARE BROKEN, DIM 1.02
TO 1.7 MAX APPLIES.
4. PIN PUSH OUT FORCE : 12N MIN.
5. PRODUCT PACKAGED IN POLY BAGS.
6. TO DETERMINE DIMENSIONS :
N = NUMBER OF POSITIONS
EXAMPLE : 8 POS N x 2.54 = 20.32mm
7. FOR STANDARD SELECTIVE GOLD PLATED
PRODUCTS, SEE DRAWING 77317.
8. RoHS COMPATIBLE PRODUCT SPECIFICATIONS

- a - SUFFIX "LF" IS ADDED JUST FOR EASY
LEADFREE IDENTIFICATION FOR PLATING VERSION 1 & 8.
- b - MANUFACTURING PROCESS COMPATIBILITY
- THE HOUSING WILL WITHSTAND EXPOSURE TO
260°C ±5°C SOLDER BATH TEMPERATURE FOR
5 SECONDS IN A WAVE SOLDER APPLICATION
WITH A 1.6mm MIN THICK CIRCUIT BOARD.
- c - LABELING:
- MEETS PACKAGING SPECS AS PER GS-14-920
- d - LEGAL STATEMENT: SEE GS-22-008



mat'l. code		surface		tolerance		projection		product family	
SEE NOTES		ISO 1302		ISO 406 ISO 1101		mm		BERGSTIK	
ltr	ecn no	dr	date	tolerances unless otherwise specified		mm		title	
A	F12-0066	LMU	12.06.06	.X ±0.3		mm		UNSH HDR 2.54mm DR, RA, POL	
				.XX ±0.15		scale 5:1		dwg no	
				.XXX ±0.05		FCJ		sheet 1 of 2	
				dr L.MULIN 12.05.30				size	
				engr COMPAGNON J 12.05.30				A3	
				chr				10121350	
				appd JMC 12.05.30				CUSTOMER Drawing	
sheet index		revision		A		A			
1		2							

PIN STYLE	PRODUCT DEFINITION				
	POS	"A" ±0.2	"B" ±0.35	"C" ±0.2	"J" REF
01	2X12	5.84	3.05	1.52	12.75



Copyright FCI

mat'l. code SEE NOTES				surface ISO 1302 <input checked="" type="checkbox"/> ISO 406 ISO 1101		tolerance ISO 406 ISO 1101		projection 		product family BERGSTIK			
ltr	ecn no	dr	date	tolerances unless otherwise specified		angles		mm		title UNSH HDR 2.54mm DR, RA, POL			
A	F12-0066	LMU	12.06.06	linear		.X ±0.3 .XX ±0.15 .XXX ±0.05		scale 5:1		dwg no 10121350		sheet 2 of A3	
sheet index			revision sheet			dr L.MULIN 12.05.30		engr COMPAGNON J 12.05.30		chr		type CUSTOMER Drawing	
appd JMC 12.05.30													