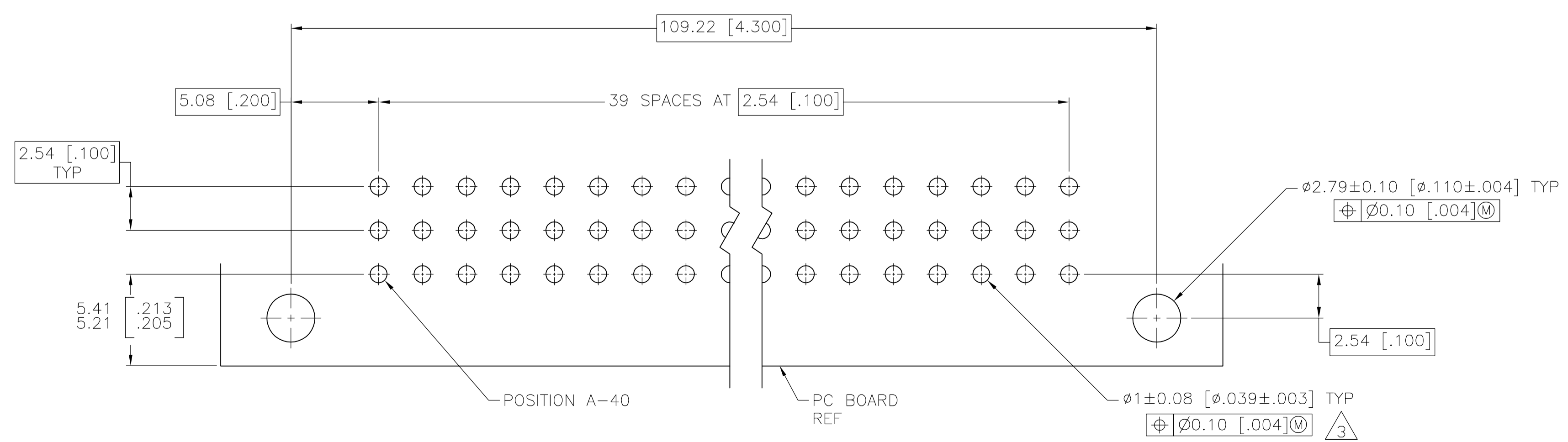
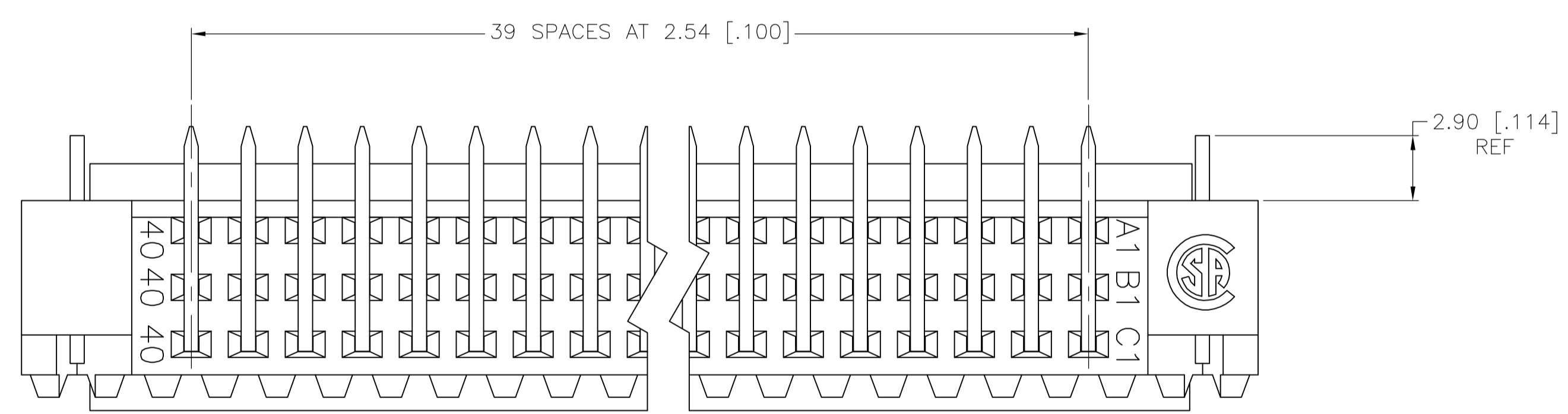
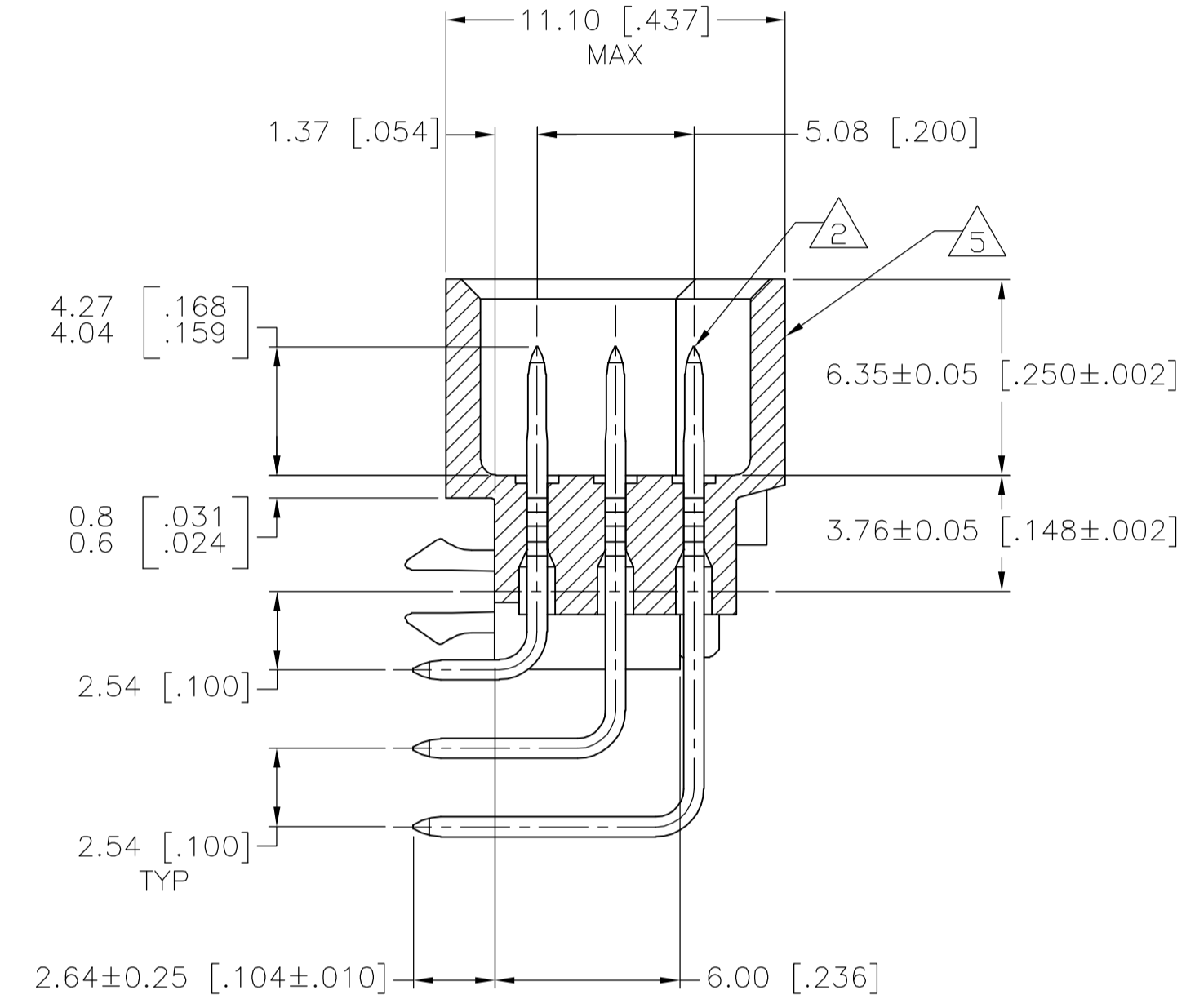
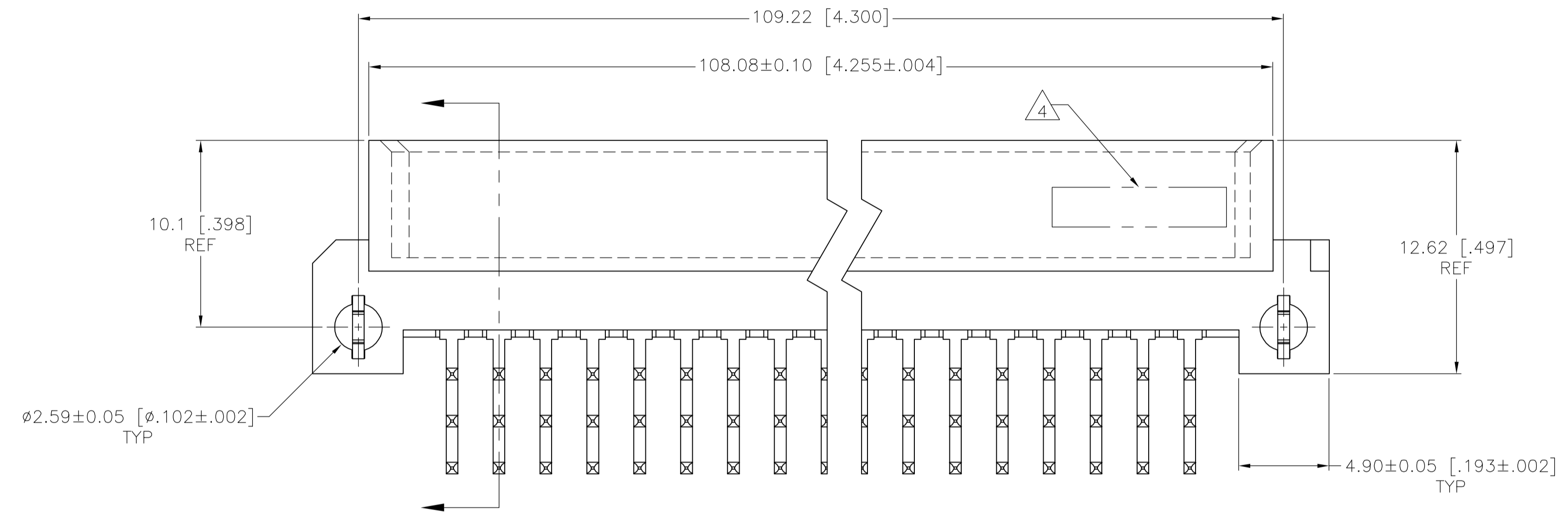


- 1 HOUSING: GLASS-FILLED POLYMER.
POST: BRASS.
- 2 POST FINISH: DIN 41612 CLASS 2 IN CONTACT AREA.
TIN PLATE ON POSTS.
- 3 RECOMMENDED HOLE SIZE FOR MANUAL APPLICATION OF
CONNECTOR ONTO PC BOARD.
- 4 PART NUMBER, DATE CODE MARKED THIS APPROXIMATE AREA.
- 5 MARKING ON THIS SIDE.



PC BOARD LAYOUT
 RECOMMENDED PC BOARD THICKNESS 1.57 [.062]

5148670-1
 PART NUMBER

THIS DRAWING IS A CONTROLLED DOCUMENT.		DIN D. HUMBERT 28NOV06	Tyco Electronics Corporation Harrisburg, PA 17105-3608
DIMENSIONS: mm [INCHES]		CHK D. BRATINA 28NOV06	NAME D. BRATINA 28NOV06
TOLERANCES UNLESS OTHERWISE SPECIFIED:		PRODUCT SPEC	
0 PLC	± -	APPLICATION SPEC	
1 PLC	± -	SIZE	
2 PLC	± 0.13 [.005]	WEIGHT	
3 PLC	± -	CUSTOMER DRAWING	
4 PLC	± -	SCALE 5:1 SHEET 1 OF 1 REV A	
ANGLES	± -	RESTRICTED TO	
FINISH	± -	DRAWING NO A1 00779 C=5148670	