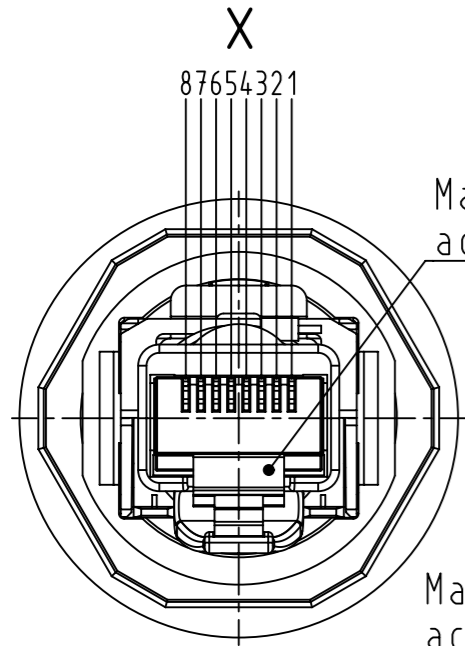
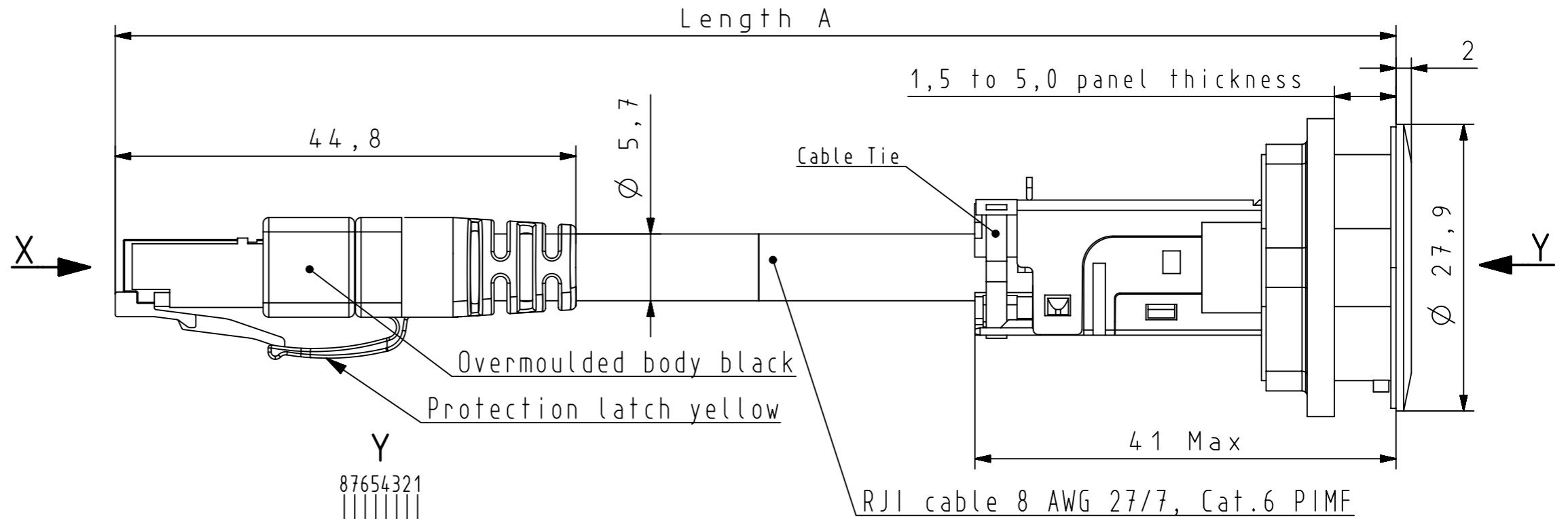
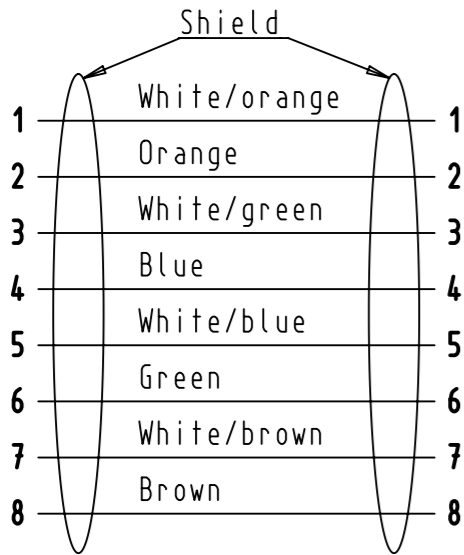
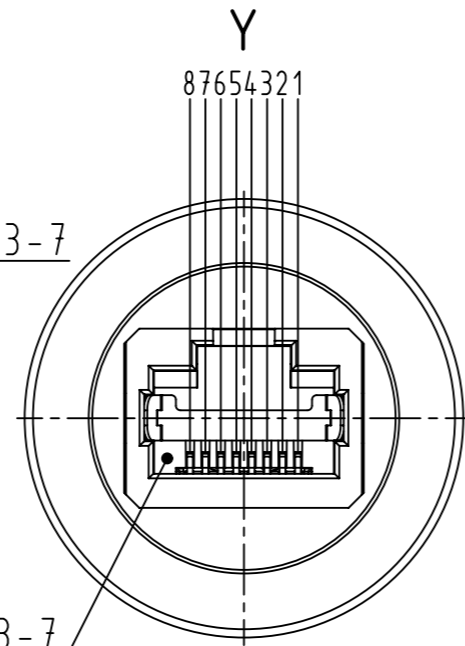


Loading plan acc. to
TIA/EIA 5688

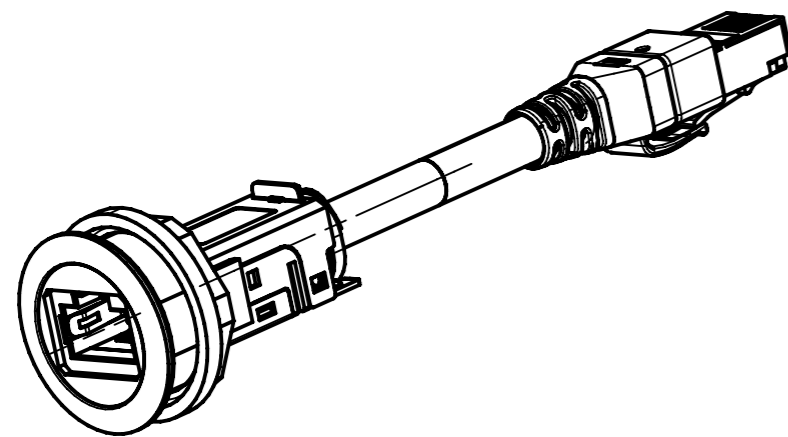
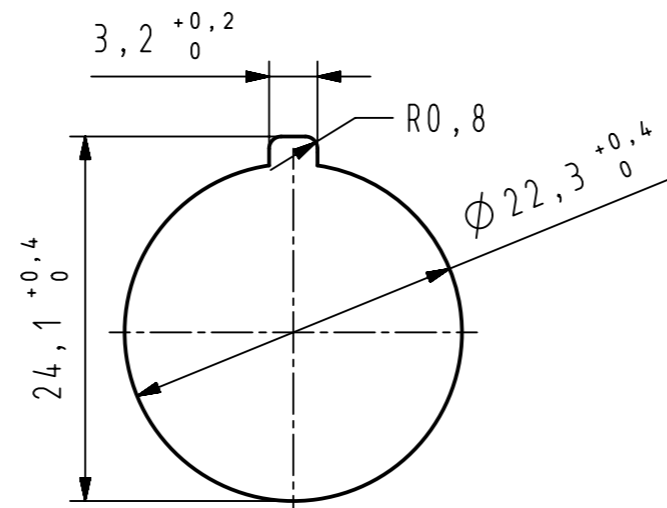


Mating face RJ45 Plug
according to IEC 60603-7



Mating face RJ45 Jack
according to IEC 60603-7

PANEL CUT DIMENSIONS:



19	09 45 452 1518	4x2AWG 27/7 Cat.6 PIMF	10,0m (±0,50)
18	09 45 452 1517	4x2AWG 27/7 Cat.6 PIMF	7,5m (±0,375)
17	09 45 452 1516	4x2AWG 27/7 Cat.6 PIMF	5,0m (±0,25)
16	09 45 452 1515	4x2AWG 27/7 Cat.6 PIMF	4,0m (±0,20)
15	09 45 452 1514	4x2AWG 27/7 Cat.6 PIMF	3,5m (±0,175)
14	09 45 452 1513	4x2AWG 27/7 Cat.6 PIMF	3,0m (±0,15)
13	09 45 452 1512	4x2AWG 27/7 Cat.6 PIMF	2,5m (±0,125)
12	09 45 452 1511	4x2AWG 27/7 Cat.6 PIMF	2,0m (±0,10)
11	09 45 452 1510	4x2AWG 27/7 Cat.6 PIMF	1,5m (±0,075)
10	09 45 452 1509	4x2AWG 27/7 Cat.6 PIMF	1,0m (±0,20)
9	09 45 452 1508	4x2AWG 27/7 Cat.6 PIMF	0,9m (±0,18)
8	09 45 452 1507	4x2AWG 27/7 Cat.6 PIMF	0,8m (±0,16)
7	09 45 452 1506	4x2AWG 27/7 Cat.6 PIMF	0,7m (±0,14)
6	09 45 452 1505	4x2AWG 27/7 Cat.6 PIMF	0,6m (±0,12)
5	09 45 452 1504	4x2AWG 27/7 Cat.6 PIMF	0,5m (±0,10)
4	09 45 452 1503	4x2AWG 27/7 Cat.6 PIMF	0,4m (±0,08)
3	09 45 452 1502	4x2AWG 27/7 Cat.6 PIMF	0,3m (±0,06)
2	09 45 452 1501	4x2AWG 27/7 Cat.6 PIMF	0,2m (±0,04)
1	09 45 452 1500	4x2AWG 27/7 Cat.6 PIMF	0,15m (±0,03)

Line no.	Part Number	Type of cable	length A
----------	-------------	---------------	----------

All rights reserved Department EC PD - FR HARTING Electronics GmbH D-32339 Espelkamp		All Dimensions in mm Original Size DIN A3 Scale 2:1 Free size tol.	Ref. Sub.	Created by DOUGE Inspected by BAGDIKIAN Standardisation HOFFMANN Date 2013-04-05 State Final Release	Title har-port RJ45 coupler Cat.6 AWG 27/7 Type TB Number 094545215XX	Doc-Key / ECH-Nr. 10022229/UGD/002/A 50000060443 Rev. A Page 1/1
---	--	---	--------------	--	---	--