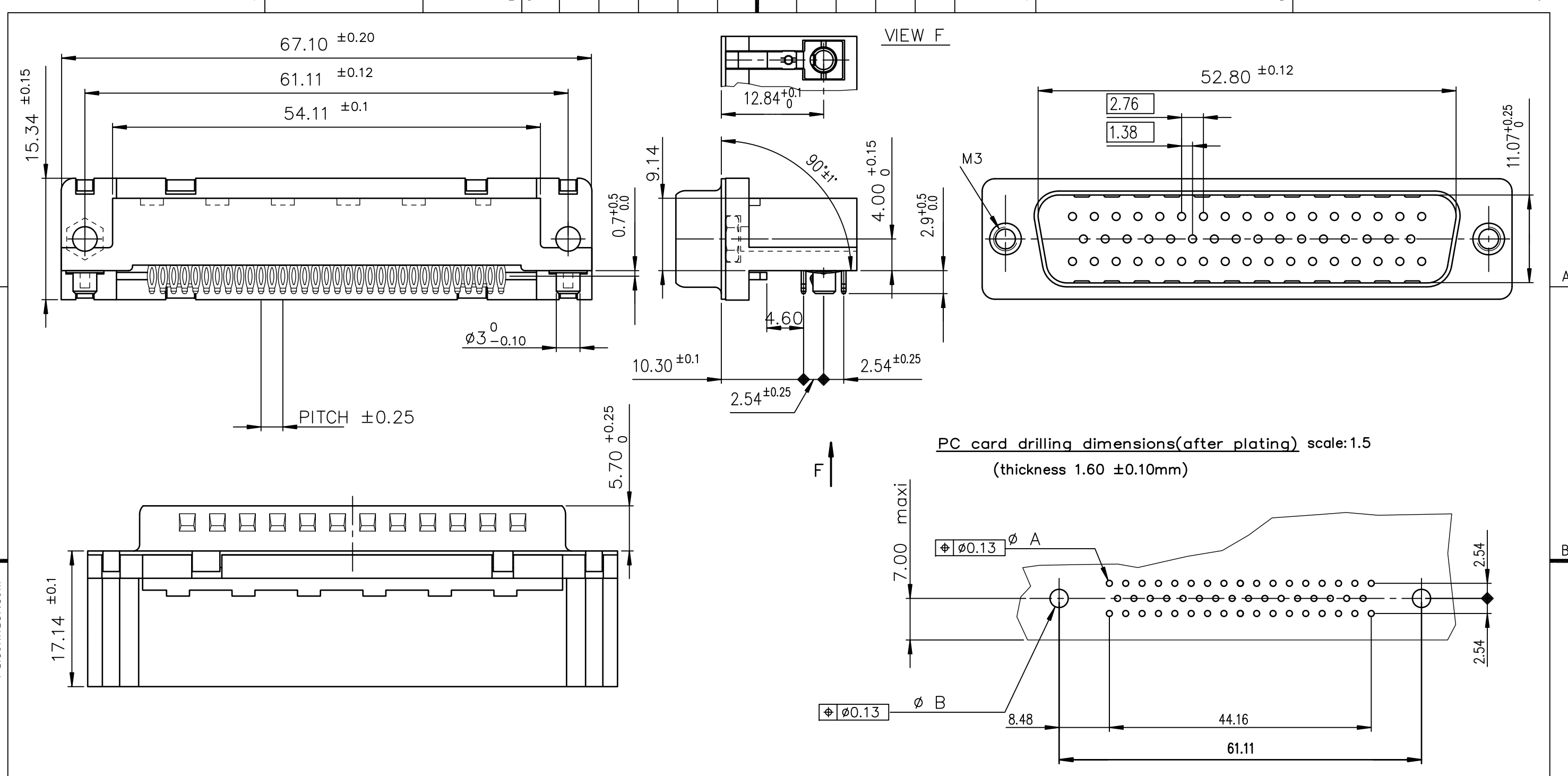




FCIconnect.com

Copyright FCI

form: A3



TIN LEAD PART NUMBER

D50P82C4GL00	D50P82C6GL00
Gold flash	0.76 μ gold

LEAD FREE PART NUMBER

D50P82C4GL00LF	D50P82C6GL00LF
Gold flash	0.76 μ gold

GENERAL CHARACTERISTICS AND ROHS INFORMATIONS:  
SEE DRAWING C01-8646-0001

mat'l. code		surface ISO 1302		tolerance ISO 406 ISO 1101		projection		product family	
-		✓				MM		D-SUB	
ltr	ecn no	dr	date	tolerances unless otherwise specified		title			
K	ELX-I-18050	MP	2014/06/23	angles	linear	DELTA-D EUROSTYLE MALE 50 RIGHT ANGLED PRESS FIT			
				0°±2°		scale 2:1			
				dr	PESSON	1999/07/23	dwg no		sheet 1 of 1
				enr	MITHUN PAUL	2014/06/23	C01-8646-0226		A3
				chr	ALIAS BABU	2014/06/23	type		Product Customer Drawing
				app	BIJU K PAUL	2014/06/23			
sheet index	revision sheet	K	1						