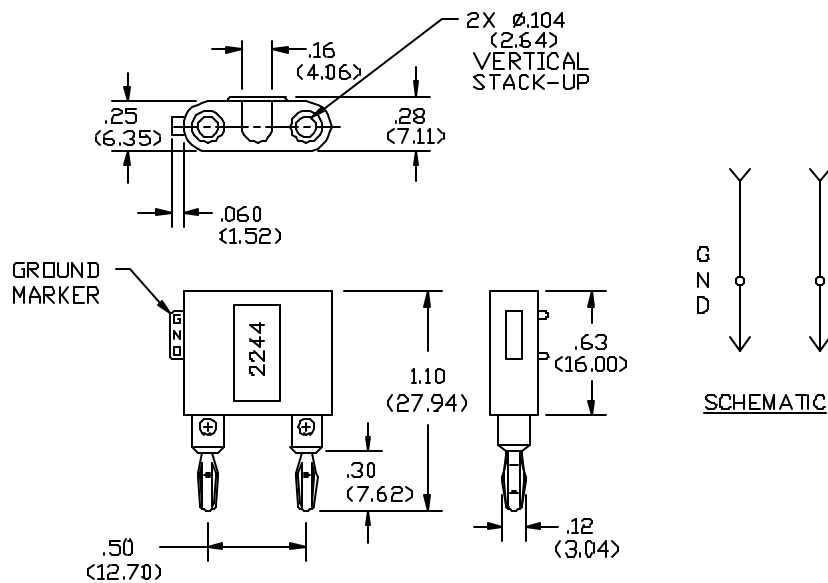


Model 2244 Miniature Double Banana Plug With Setscrews



FEATURES:

- Internal setscrews to secure cable or component leads.
- Accommodates 3.8 (.15) dia. cable.

MATERIALS:

Upper Conn.: Miniature Double Banana Jack

Material: Brass per QQ-B-626, Alloy 360, ½ Hard.

Finish: Gold plate per MIL-G-45204, Type II, Class 00, over electroless nickel per MIL-C-26074A, Class 1, (.0002/.0003).

Insulation: Polypropylene molded to Banana Jack and Banana Plug Bodies.

Color: See Ordering Information.

Marking: "POMONA ELECTRONICS CALIF".

Lower Conn.: Miniature Double Banana Plug

Material: Spring – Beryllium Copper per QQ-C-533, Alloy 170, Cond. H.T.

Plug Body – Brass per QQ-B-626, Alloy 360, ½ Hard.

Finish: Gold plate per MIL-G-45204, Type II, Class 00, over electroless nickel per MIL-C-26074A, Class 1, (.0002/.0003).

Cross Holes: 2.18 (.086) dia. With #3.56 slotted setscrews to secure lead wires.

RATINGS: (Entire Assembly)

Operating Temperature: +50°C. (+122°F.) Max

Operating Voltage: 2500 VDC

Current: 5 Amperes Cont.

ORDERING INFORMATION: Model 2244-*

*=Color, -0 Black, -2 Red

Ordering Example: 2244-2 Color is Red

All dimensions are in inches. Tolerances (except noted): .xx = ±.02" (.51 mm), .xxx = ±.005" (.127 mm).

All specifications are to the latest revisions. Specifications are subject to change without notice.

Registered trademarks are the property of their respective companies. Made in USA