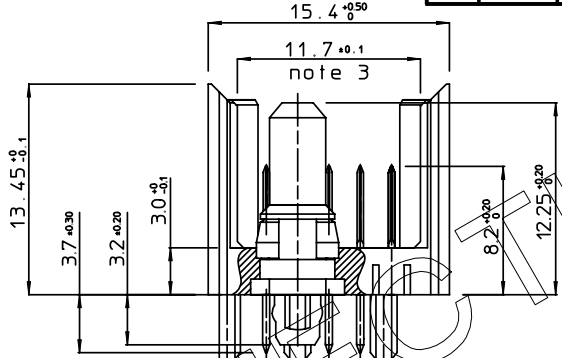
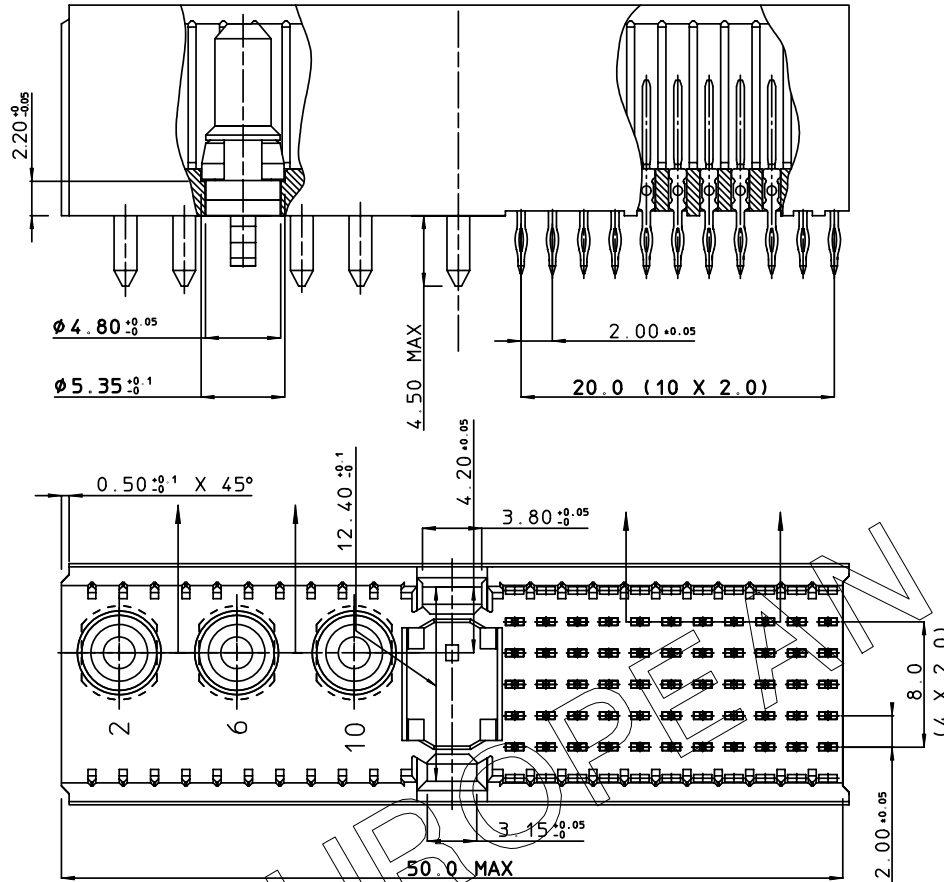


GEN. ST.	01	02	03	04	05	06	07	08	0D	50	60	70	80	90																	
INT. ST.	10	11	12	13	14	18	20	31	32	33	34	38	39	40	42	43	44	45	46	48	56	70	72	73	75	76	81	82	83	84	88

REV.	DATE	DESCRIPTION	BY	C'K'D'
A	2001-09-14	CONVERSION REVISION 01	KN	
B	2005-08-12	105-0140	ALEX B	BKP
C	2006-07-05	106-0096	VIVEK	BKP



PERFORMANCE CHARACTERISTICS (SIGNAL CONTACTS)

- CURRENT RATING : 1.5 A AT 20°C (FULLY LOADED)
- CURRENT RATING : 1 A AT 70°C (FULLY LOADED)
- RATED VOLTAGE : 500 V AC (CONT / CONT)
- OPERATING TEMPERATURE : -55°C TO 125°C
- CONTACT RESISTANCE : 20 mΩ MAX
- INSERTION FORCE : 0.75 N MAX / CONT
- EXTRACTION FORCE : 0.15 N MIN / CONT
- INSULATION RESISTANCE : 10⁴ MΩ MIN

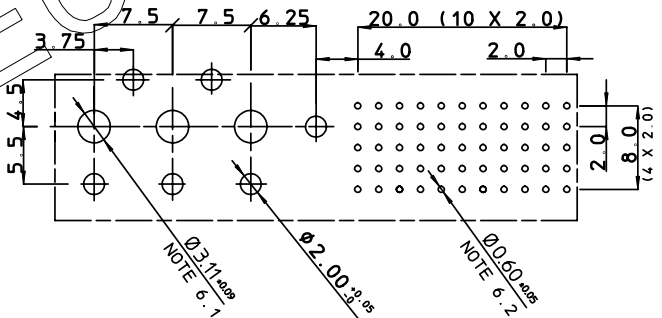
NOTES

- PLATING: -
-POWER CONTACTS -> 1.5 μm Au over 2.0 μm Ni
LEAD FREE INDICATOR : LF=LEAD FREE (DIGIT 15 & 16)
-SIGN.CONT.-> HM2A31PG5000
PLATING CODE (DIGIT 13 AND 14)
- THIS PRODUCT IS CSA APPROVED. (REF DRW No BS,C ,2018444,003)
THIS PRODUCT IS UL RECOGNIZED.
- MEASURED AT THE BOTTOM.
- FOR PRE-ASSEMBLED POWER PRESS-FIT CONTACT DETAIL, SEE DRAWING NR.:
- BS,A,201624,017
- ALLOWED PCB THICKNESS: MIN. 1.8 MM.
- PCB HOLE DEFINITION:
6.1 FOR PTH DETAILS OF POWER CONTACTS

Ø drilled hole	Cu plating	SnPb/Sn plating	Ø finished hole
3.19 - 3.25	25 μm min.	5 μm min.	3.02 - 3.20

- FOR PTH DETAILS OF SIGNAL CONTACTS REFER BS,A ,201572,001
- THE PRODUCT (LF) MEETS EUROPEAN UNION DIRECTIVES AND OTHER COUNTRY REGULATIONS AS DESCRIBED IN GS-22-008

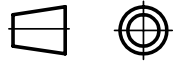
PCB HOLE LAY-OUT



MALE SIGNAL STRAIGHT PRESS-FIT-TO-BOARD CONNECTOR WITH PRE-ASSEMBLED POWER PRESS-FIT CONTACTS

1DEC ±0.2 2DEC ±0.1 ANGLES ±1°	APPR. DRAFT CHECKED	DATE 1997-12-19	SIGN. W. Panis	MILLIPACS 2 / TYPE M / PRE-ASS. CONN. CAT. No. HM2A31PG5000----	SCALE 3/1
WE RESERVE THE RIGHT TO CHANGE DIMENSIONS OR REQUIREMENTS WITHOUT PRIOR NOTICE.	PROD. MGR.			www.fciconnect.com	
ALL DIMENSIONS IN MM	PR. ENG. MGR.				

REFERENCES



THIS IS OUR EXCLUSIVE PROPERTY. IT IS NOT TO BE COPIED, REPRINTED OR DISCLOSED TO A THIRD PARTY. NOR USED FOR MANUFACTURING WITHOUT OUR WRITTEN CONSENT, AND HAS TO BE RETURNED TO US IN CASE OF NO USAGE
DIT IS ONZE EIGENDOM EN MAG NOCH NAGEMAAKT, HERDRUKT, OVERGEHAAKT AAN DERDEN, NOCH VOOR FABRIKATIE GEBRUIKT WORDEN, ZONDER ONZE SCHRIFTELIJKE TOELATING. BIJ NIET GEBRUIK IS TERUGZENDING VERPLICHT.