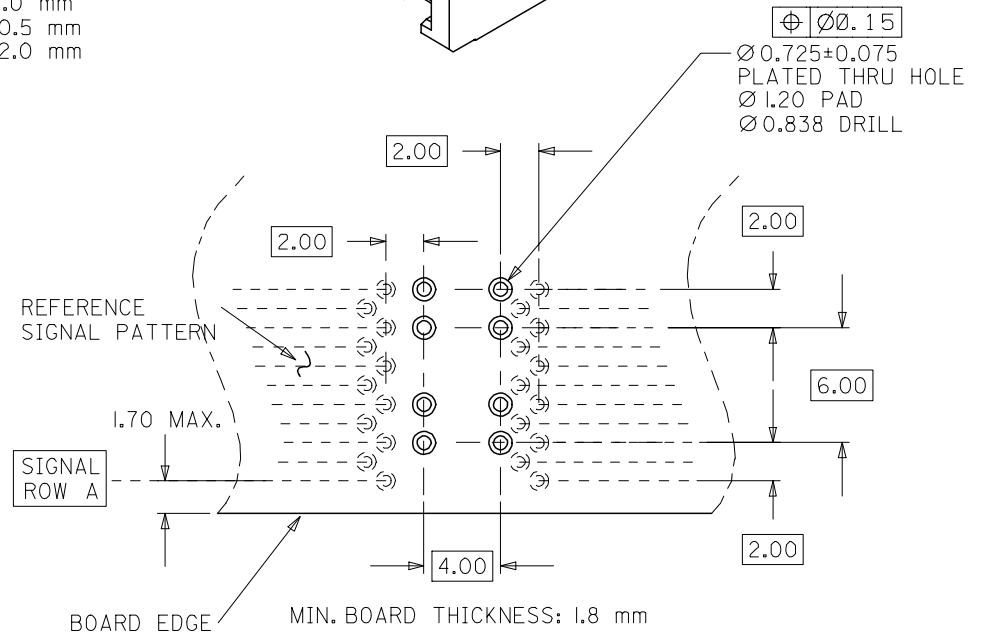
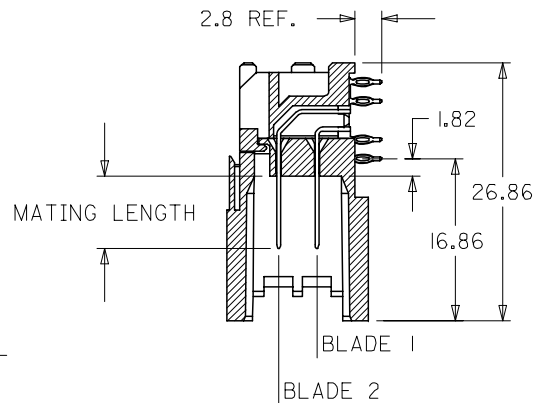
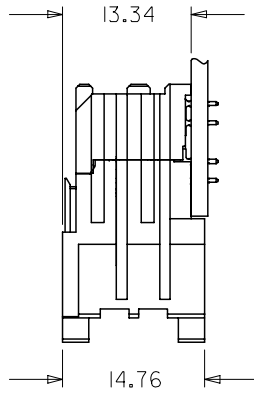
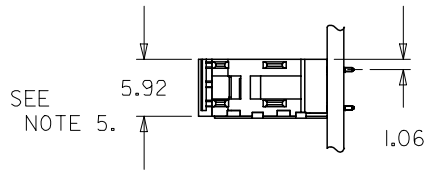
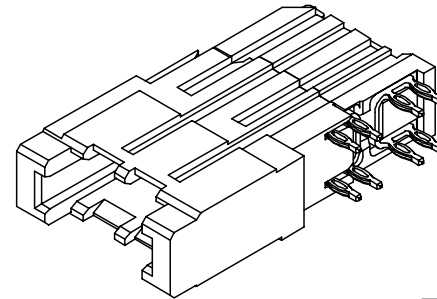


MATERIAL NUMBER ASSIGNMENT

75885 - 6 * * 0 SEE NOTE 2. & 3.

BLADE 1		BLADE 2	
MATING LENGTH		MATING LENGTH	
1	= 7.5 mm	1	= 7.5 mm
2	= 9.0 mm	2	= 9.0 mm
3	= 10.5 mm	3	= 10.5 mm
4	= 12.0 mm	4	= 12.0 mm
6	= 7.5 mm	6	= 7.5 mm
7	= 9.0 mm	7	= 9.0 mm
8	= 10.5 mm	8	= 10.5 mm
9	= 12.0 mm	9	= 12.0 mm



NOTES:

- MATERIALS:**
HOUSING - LIQUID CRYSTAL POLYMER (LCP)
UL94 V-0 RATED, COLOR: BLACK
TERMINAL - COPPER ALLOY
- FINISH:** SELECT GOLD ON MATING SURFACE, 30 microINCH THICK; MATTE TIN ON TAILS; NICKEL OVERALL.
(WHEN * = 1, 2, 3, OR 4)
- FINISH:** SELECT GOLD ON MATING SURFACE, 50 microINCH THICK; MATTE TIN ON TAILS; NICKEL OVERALL.
(WHEN * = 6, 7, 8, OR 9)
- THIS PART CONFORMS TO PRODUCT SPECIFICATION PS-74031-999.
- PART SHOWN IS 75885-6110.
- USE 6.00 mm NOMINAL FOR DAUGHTERCARD LAYOUT.

RELEASED EC NO: UCP2006-3055 DRWNG:VARVARA 2006/06/21 CHKD:SREED 2006/06/21 APPR:SREED 2006/06/22	DESCRIPTION A	QUALITY SYMBOLS ▽=0 ▽=0	GENERAL TOLERANCES (UNLESS SPECIFIED)		DIMENSION STYLE MM ONLY		SCALE 4:1	DESIGN UNITS METRIC	THIRD ANGLE PROJECTION	
			mm	INCH	DRAWN BY VARVARA	DATE 06/06/20	TITLE VHDM LEAD FREE POWER 6 ROW DAUGHTERCARD SALES ASSEMBLY			
			4 PLACES ± ---	± ---	CHECKED BY SREED	DATE 06/06/20				
			ANGULAR ±1/2°		APPROVED BY SREED		DATE 06/06/20	MATERIAL NO. SEE CHART		
DRAFT WHERE APPLICABLE MUST REMAIN WITHIN DIMENSIONS				DOCUMENT NO. SD-75885-001		SHEET NO. 1 OF 1				