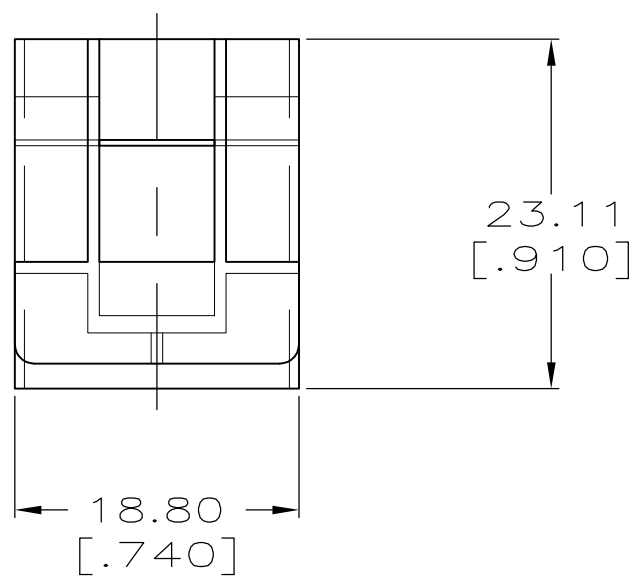
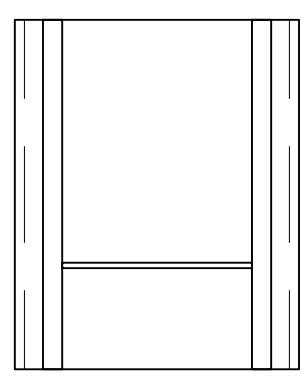
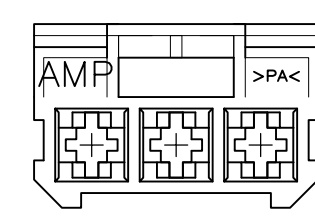
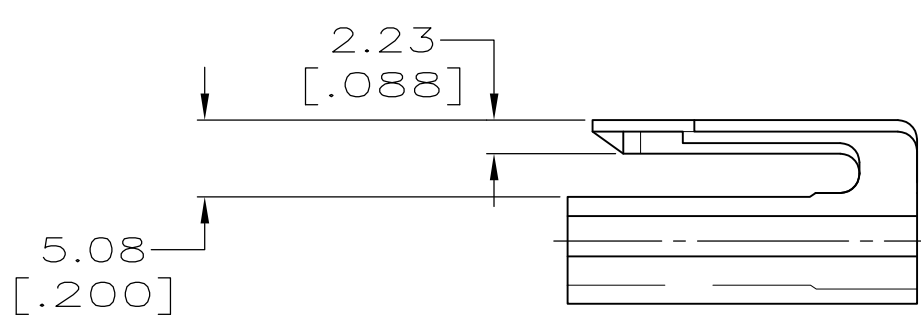
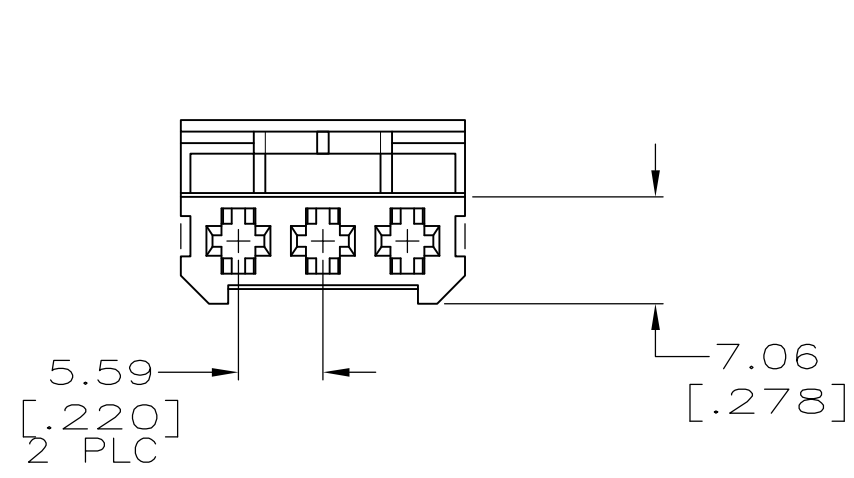


THIS DRAWING IS UNPUBLISHED. RELEASED FOR PUBLICATION
 © COPYRIGHT - By - ALL RIGHTS RESERVED.

LOC	DIST	REVISIONS			
P	LTR	DESCRIPTION	DATE	DWN	APVD
AF	50	F2	REVISED PER ECR-12-013221	31JUL12	KH GJ



- 1 PART ACCEPTS 3.18 [.125] RECEPTACLE CONTACT P/N 1217039-1.
- 2 GLOW WIRE COMPLIANT PER IEC 60335-1 750C NO FLAME.
- 3 PRELIMINARY - NOT FOR PRODUCTION.



NATURAL	2 PA6 V-2	3 521181-3
BLACK	NYLON 66/6 UL94 VO	521181-2
BLACK	NYLON 66	521181-1
COLOR	MATERIAL	PART NUMBER

THIS DRAWING IS A CONTROLLED DOCUMENT.		DWN PHILLIP M. FORTNEY 28/JUL/98	TE TE Connectivity	
DIMENSIONS: mm		CHK JEFF R. RUTH 28/JUL/98		
TOLERANCES UNLESS OTHERWISE SPECIFIED:		APVD DON DECKER 28/JUL/98	NAME PLUG,3 CIRCUIT,3.18[.125] BLADE	
0 PLC ± -		PRODUCT SPEC	SIZE A2	
1 PLC ± -		APPLICATION SPEC	CAGE CODE 00779	
2 PLC ± 0.25 [.010]		WEIGHT	DRAWING NO 521181	
3 PLC ± -		FINISH	RESTRICTED TO	
4 PLC ± -		WEIGHT	SCALE 2:1	
ANGLES ± -		WEIGHT	SHEET 1 of 1	
MATERIAL PA6 V-2 2		FINISH COLOR-NATURAL	REV F2	
CUSTOMER DRAWING		SCALE 2:1		

521181