

ARF440 125W 50V 13.56MHz
ARF441 125W 50V 13.56MHz

THE ARF440 PIN-OUTS ARE MIRROR IMAGE OF THE ARF441.

RF OPERATION (1-15MHz)

POWER MOS IV®

N-CHANNEL ENHANCEMENT MODE RF POWER MOSFET

The ARF440 and ARF441 comprise a symmetric pair of RF power transistors designed for narrow-band push-pull commercial, medical and industrial RF power amplifier applications.

- Specified 50 Volt, 13.56 MHz Characteristics:
- Output Power = 125 Watts.
- Gain = 21dB (Typ.)
- Efficiency = 63% (Typ.)
- Low Cost Common Source RF Package.
- Very High Breakdown for Improved Ruggedness.
- Low Thermal Resistance.
- Nitride Passivated Die for Improved Reliability.

MAXIMUM RATINGS

All Ratings: $T_C = 25^\circ\text{C}$ unless otherwise specified.

Symbol	Parameter	ARF440/441	UNIT
V_{DSS}	Drain-Source Voltage	150	Volts
V_{DGO}	Drain-Gate Voltage	150	
I_D	Continuous Drain Current @ $T_C = 25^\circ\text{C}$	11	Amps
V_{GS}	Gate-Source Voltage	± 30	Volts
P_D	Total Power Dissipation @ $T_C = 25^\circ\text{C}$	167	Watts
$R_{\theta JC}$	Junction to Case	0.75	$^\circ\text{C/W}$
T_J, T_{STG}	Operating and Storage Junction Temperature Range	-55 to 150	$^\circ\text{C}$
T_L	Lead Temperature: 0.063" from Case for 10 Sec.	300	

STATIC ELECTRICAL CHARACTERISTICS

Symbol	Characteristic / Test Conditions	MIN	TYP	MAX	UNIT
BV_{DSS}	Drain-Source Breakdown Voltage ($V_{GS} = 0V, I_D = 250 \mu\text{A}$)	150			Volts
$V_{DS(ON)}$	On State Drain Voltage ^① ($I_D(ON) = 10A, V_{GS} = 10V$)			6	
I_{DSS}	Zero Gate Voltage Drain Current ($V_{DS} = V_{DSS}, V_{GS} = 0V$)			250	μA
	Zero Gate Voltage Drain Current ($V_{DS} = 0.8 V_{DSS}, V_{GS} = 0V, T_C = 125^\circ\text{C}$)			1000	
I_{GSS}	Gate-Source Leakage Current ($V_{GS} = \pm 30V, V_{DS} = 0V$)			± 100	nA
g_{fs}	Forward Transconductance ($V_{DS} = 10V, I_D = 5.5A$)	4	5		mhos
$V_{GS(TH)}$	Gate Threshold Voltage ($V_{DS} = V_{GS}, I_D = 200\text{mA}$)	2		5	Volts

CAUTION: These Devices are Sensitive to Electrostatic Discharge. Proper Handling Procedures Should Be Followed.

APT Website - <http://www.advancedpower.com>

USA
405 S.W. Columbia Street

Bend, Oregon 97702-1035

Phone: (541) 382-8028

FAX: (541) 388-0364

EUROPE

Avenue J.F. Kennedy Bât B4 Parc Cadéra Nord

F-33700 Merignac - France

Phone: (33) 5 57 92 15 15

FAX: (33) 5 56 47 97 61

Symbol	Characteristic	Test Conditions	MIN	TYP	MAX	UNIT
C_{iss}	Input Capacitance	$V_{GS} = 0V$ $V_{DS} = 50V$ $f = 1\text{ MHz}$		755	900	pF
C_{oss}	Output Capacitance			155	215	
C_{rss}	Reverse Transfer Capacitance			55	90	

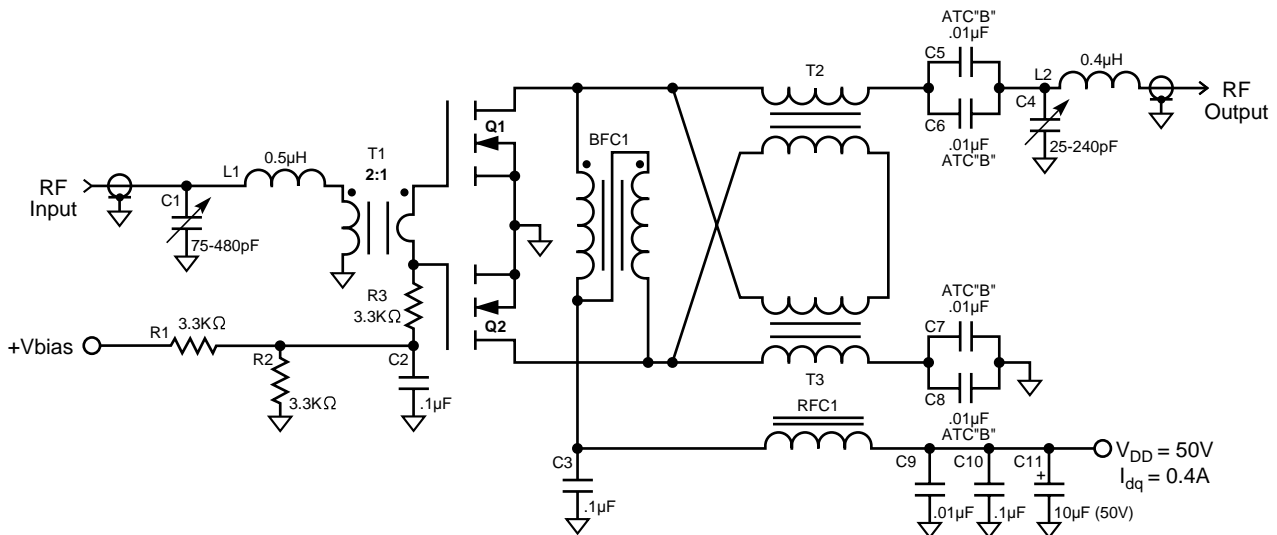
FUNCTIONAL CHARACTERISTICS

Symbol	Characteristic	Test Conditions	MIN	TYP	MAX	UNIT
G_{PS}	Common Source Amplifier Power Gain	$V_{DD} = 50V$ $P_{out} = 125W$ $I_{DQ} = 200mA$ $f = 13.56MHz$	18	21		dB
η	Drain Efficiency			63		%
ψ	Electrical Ruggedness VSWR 30:1		No Degradation in Output Power			

① Pulse Test: Pulse width < 380 μ S, Duty Cycle < 2%

APT Reserves the right to change, without notice, the specifications and information contained herein.

TYPICAL 13.56 MHz, 250 WATT PUSH-PULL POWER AMPLIFIER CIRCUIT



Parts List

- C1 = 75-480pF Compression Mica
- C2, C3 & C10 = .1 μ F @ 50V, Novacap #1210B104K500N
- C4 = 25-240pF Compression Mica
- C5, C6, C7, C8 & C9 = .01 μ F @ 50V, Novacap #1210B103K500N
- C11 = 10 μ F @ 50V Electrolytic
- R1, R2 & R3 = 1K Ω , 5%, 1/4W, Carbon
- Q1 = ARF440
- Q2 = ARF441

- L1 = 7.5 T of #18AWG, ID = .438", L = 0.5 μ H
- L2 = 6.5 T of #18AWG, ID = .438", L = 0.4 μ H

BFC1 = Balanced DC Feed Choke; 7 T of #18 stranded PTFE twisted pair on an Indiana General #F624-19-Q1 toroid. μ i = 125
 RFC1 = 2 T of #18 stranded PTFE on a Fair-Rite #2677006301 shield bead. μ i = 2000

T1 = 4:1 Z Conventional Transformer; 2:1 T of #22 stranded PTFE on a Fair-Rite #2843000202 Balun Core. μ i = 850
 T2 & 3 = 1:4 Z Transmission Line Transformer; 6 T of mini 25 Ω PTFE coax on a Fair-Rite #2643102002 shield bead. μ i = 2000

PCB = .062" G10 Epoxy Glass.

ARF440/441

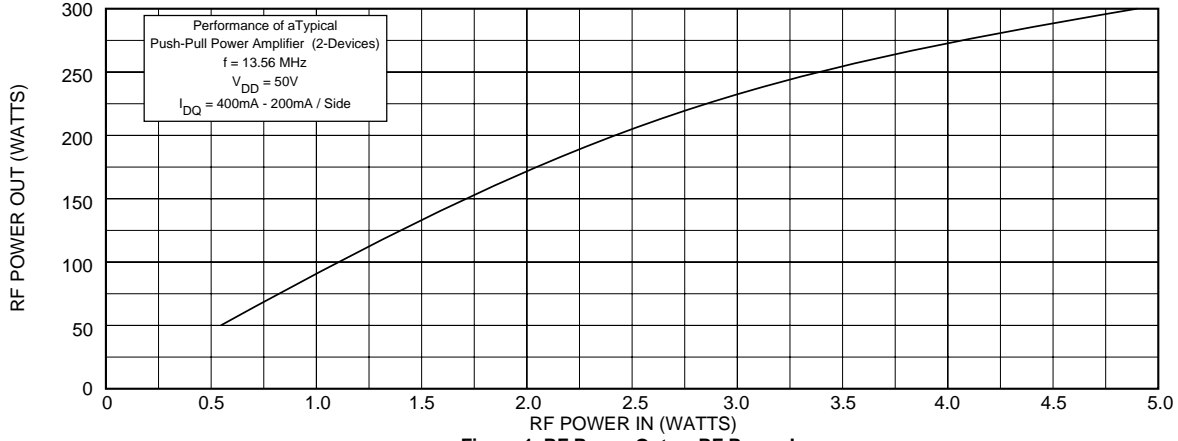


Figure 1, RF Power Out vs RF Power In

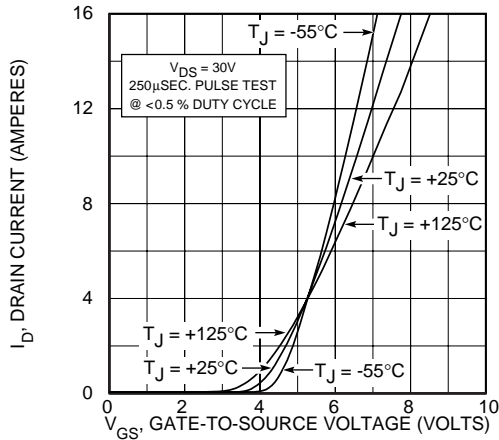


Figure 2, Typical Transfer Characteristics

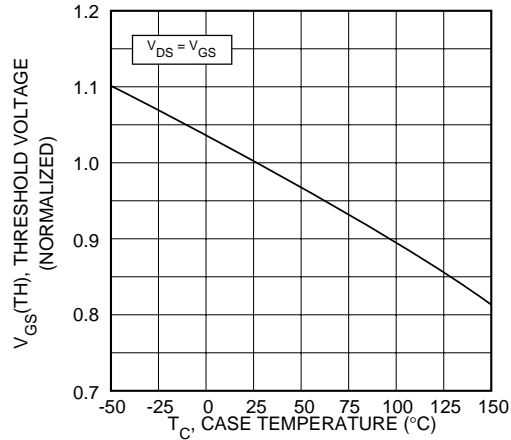


Figure 3, Threshold Voltage vs Temperature

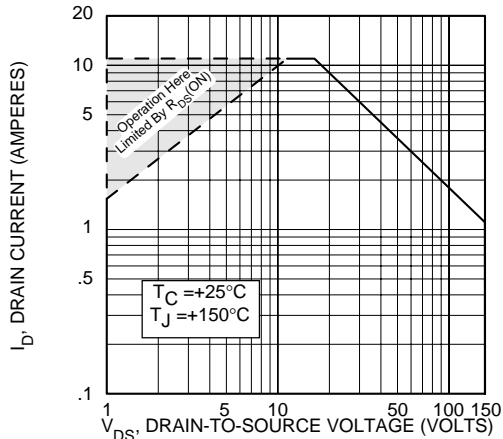


Figure 4, Maximum DC Safe Operating Area

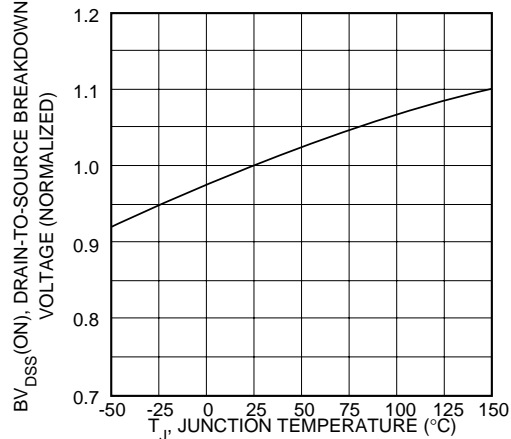


Figure 5, Breakdown Voltage vs Temperature

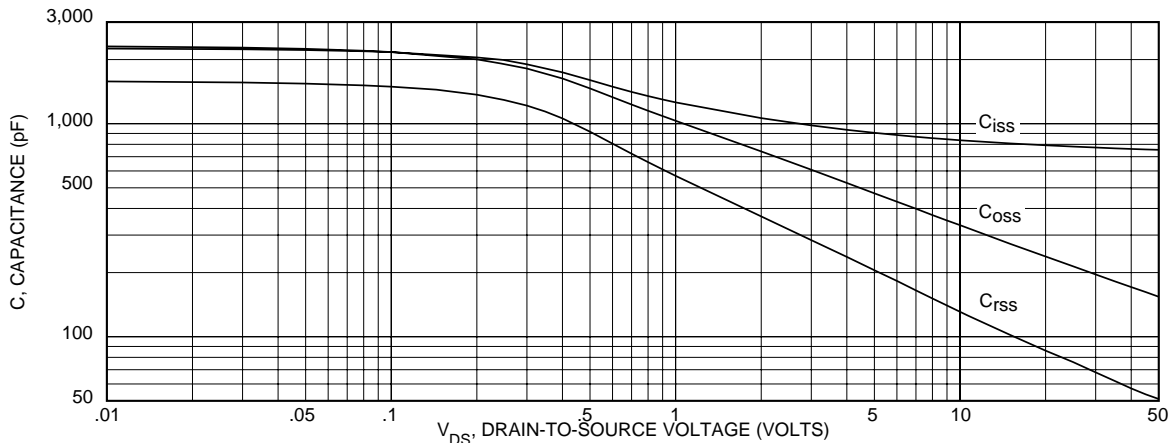
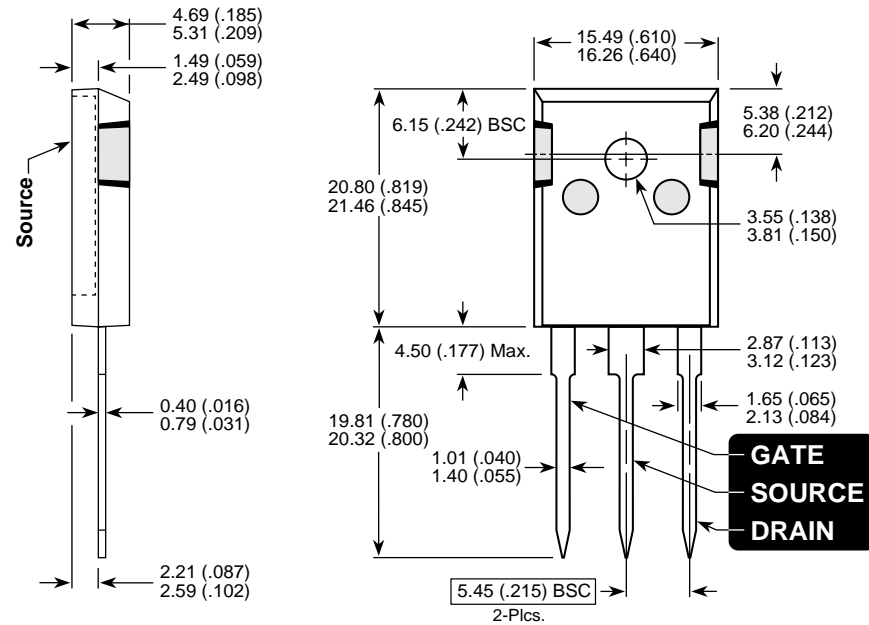


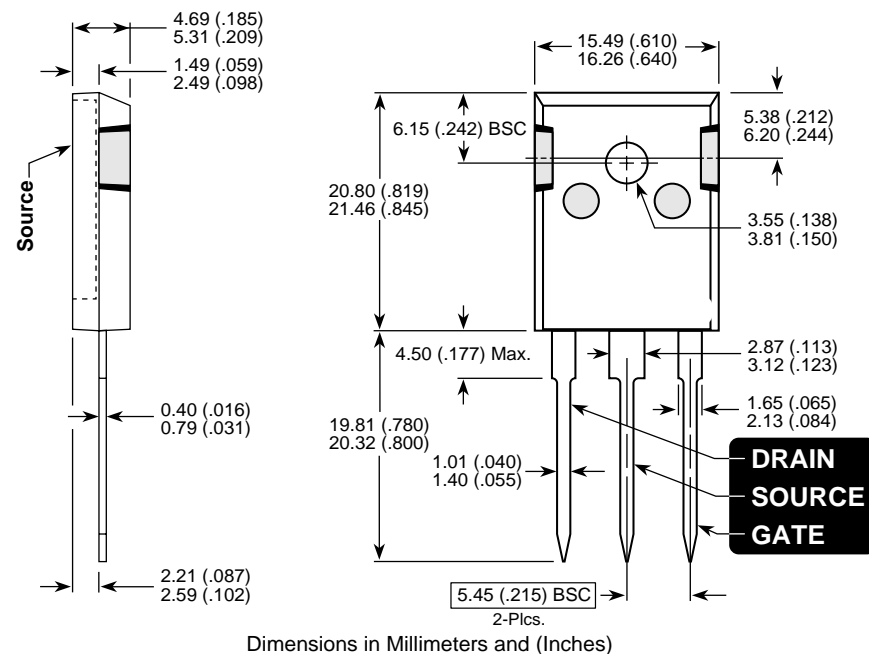
Figure 6, Typical Capacitance vs. Drain-To-Source Voltage

TO-247AD Package Outline

ARF440



ARF441



NOTE: The ARF440 and ARF441 comprise a symmetric pair of RF power transistors and meet the same electrical specifications. The device pin-outs are the mirror image of each other to allow ease of use as a push-pull pair.



CAUTION: These Devices are Sensitive to Electrostatic Discharge. Proper Handling Procedures Should Be Followed.

USA
405 S.W. Columbia Street
EUROPE

Avenue J.F. Kennedy Bât B4 Parc Cadéra Nord F-33700 Merignac - France Phone: (33) 5 57 92 15 15 FAX: (33) 5 56 47 97 61

Bend, Oregon 97702-1035 Phone: (541) 382-8028 FAX: (541) 388-0364