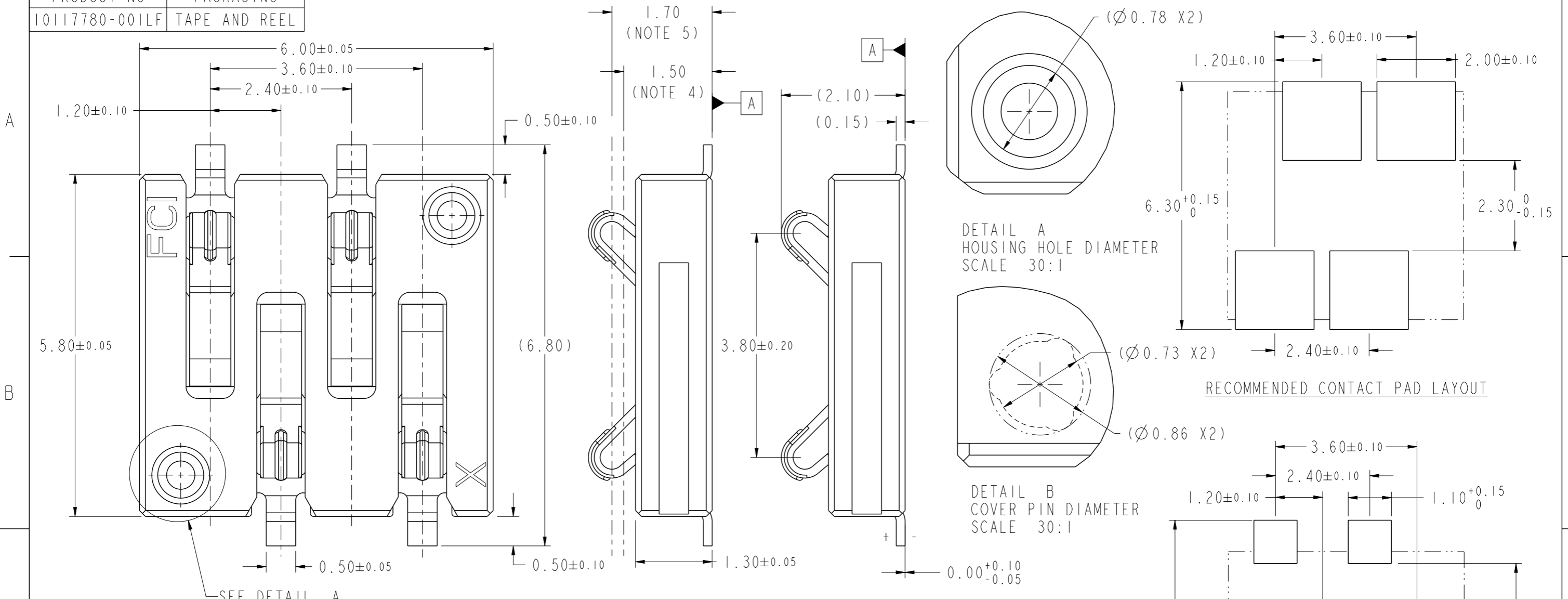
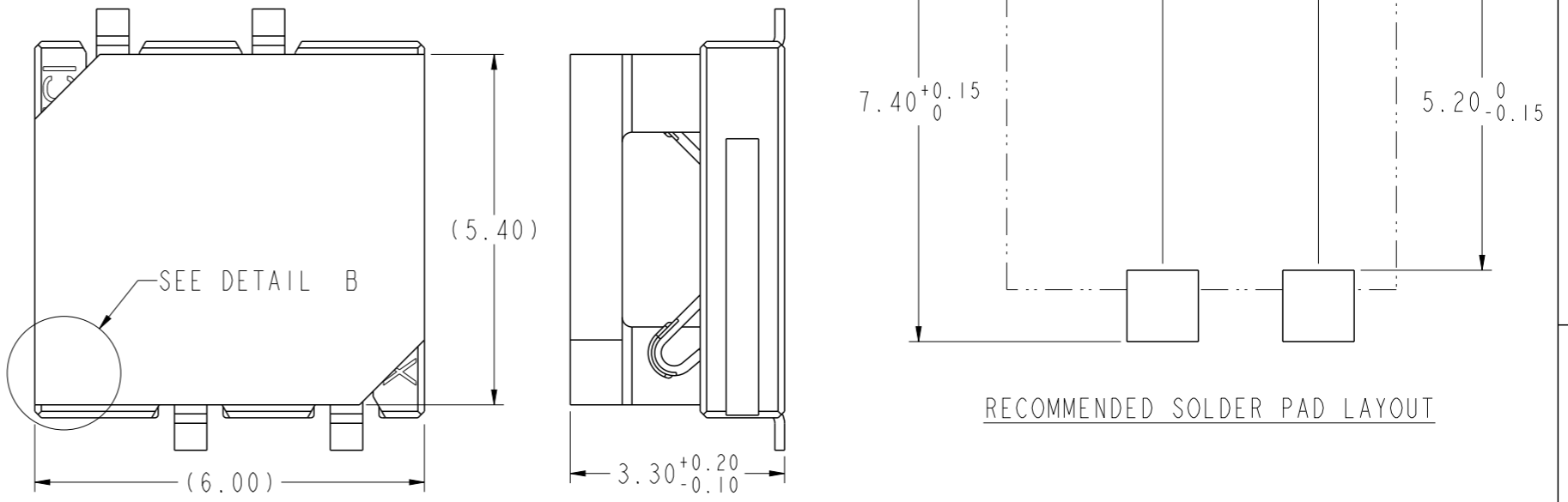


PRODUCT NO	PACKAGING
10117780-001LF	TAPE AND REEL



- NOTES:
- HOUSING: HIGH TEMPERATURE THERMOPLASTIC
UL 94V-0, COLOUR: BLACK
 - CONTACTS: COPPER ALLOY.
PLATING SPEC: 0.2um MIN Au AT CONTACT AREA,
0.076um MIN Au AT SOLDER TAIL,
OVER 1.27um MIN Ni UNDERPLATE OVERALL
 - COVER: HIGH TEMPERATURE THERMOPLASTIC
UL 94V-0, COLOUR: BLACK
 - AT 1.5mm HEIGHT, CONTACT GAP MEASUREMENT SHALL BE 4.2.
 - AT 1.7mm HEIGHT, CONTACT NORMAL FORCE SHALL BE ABOVE 40gf.
 - SOLDER TAIL CONPLANARITY SHALL BE 0.1mm MAX.
 - COVER HOLDING FORCE, SHALL BE WITHIN 20gf AND 600gf.
 - THIS PRODUCT MEETS EUROPEAN UNION DIRECTIVES AND OTHER
COUNTRY REGULATIONS AS DESCRIBED IN GS-22-008.
 - THE HOUSING WILL WITHSTAND EXPOSURE TO 260°C PEAK
TEMPERATURE FOR 10 SECONDS IN A CONVECTION,
INFRA-RED OR VAPOUR PHASE REFLOW OVEN.



spec ref	-	dr	Dennis Goh	2011/06/29	projection	MM	size	A3	scale	15:1
tolerance std	ASME Y14.5	eng	Dennis Goh	2012/06/29			ecn no	-	rel level	Released
	TOLERANCES UNLESS OTHERWISE SPECIFIED	chr	-	2012/07/17						
surface	linear	0.X	±0.25		title		dwg no	10117780	rev	A
		0.XX	±0.13		4 PINS SPINDLE CONNECTOR					
		0.XXX	±0.05		cat. no.					
ASME Y14.5	angular	0°	±°	www.fci.com	Product - Customer Drw		sheet 1 of 1			

Copyright FCI.