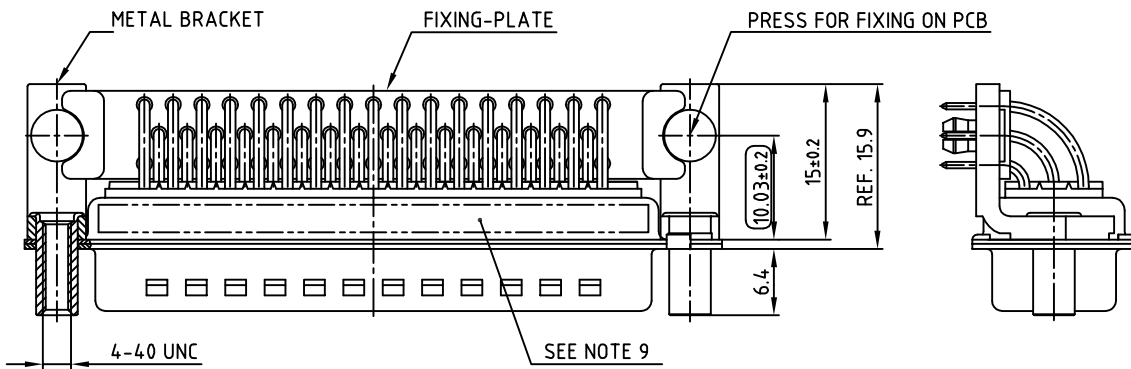
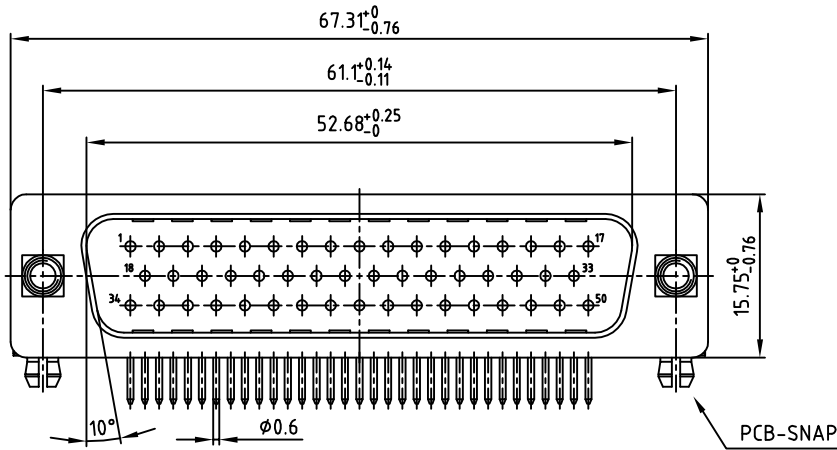
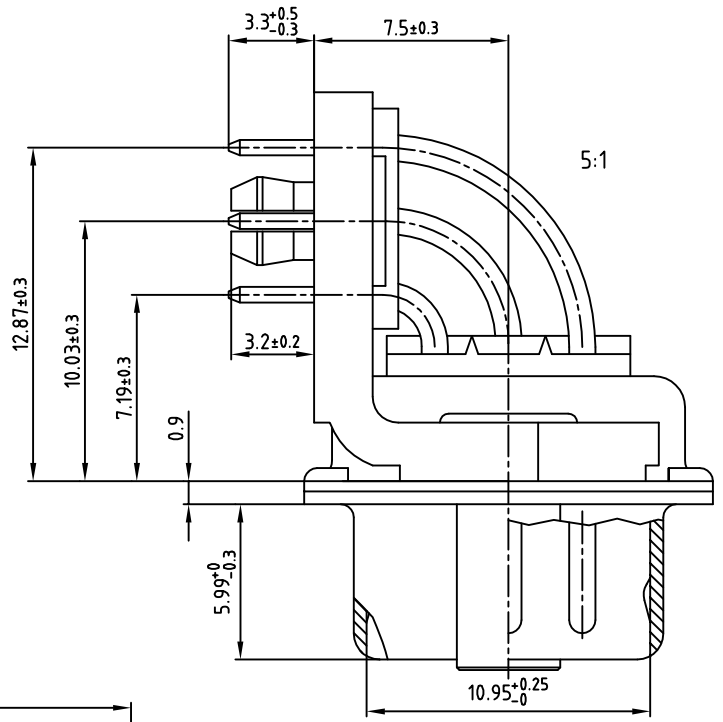


NOTES:

1. METALSHELLS: STEEL; min. 320µin TIN
2. INSULATORS: PBT GF UL 94 V-0, BLACK
3. CONTACTS: COPPER ALLOY  
PLATING: 8µin HARD GOLD OVER min. 50µin NICKEL
4. METAL BRACKET: STEEL; min. 320µin TIN over 80µin NICKEL
5. THREADED LOCK: COPPER ALLOY; min. 200µin TIN over 80µin NICKEL
6. PCB-SNAP: COPPER ALLOY; min. 200µin TIN over 80µin NICKEL  
PCB-HOLE:  $\phi 3.1 \pm 0.1$ ; PCB THICKNESS 1.6mm
7. P.C.B. HOLE DRILLINGS ON SHEET 2
8. MAXIMUM TORQUE VALUE FOR THREAD: 6in.LB
9. CONNECTOR IS PART MARKED: PART-NO. CONEC Y/WW

used for: D-SUB



APPROVAL # FREIGABE # DEBLOCAGE # AUTORIZACION # APPROVAL

CUSTOMER APPROVAL DATE:

NAME: TITLE:

COMPANY NAME:

APPROVAL # FREIGABE # DEBLOCAGE # AUTORIZACION # APPROVAL

THIS DRAWING MAY NOT BE COPIED OR REPRODUCED IN ANY WAY, AND MAY NOT BE PASSED ON TO A THIRD PARTY, WITHOUT WRITTEN PERMISSION. OWNERSHIP AND COPYRIGHT OF CONEC GMBH DO NOT ALTER CAD DRAWING BY HAND

rev.	description	date	name

tolerance		dim. in mm	
2003	date	name	
drawn	27.05.	Lehmenkühler	
appd.	27.05.	Kühle	
norm	DIN 41652		
d-old			

scale: 2:1 (5:1)

material: SEE NOTES

title: D-SUB MALE 90°  
50pos. 0.318inch  
threaded lock, metal bracket, clip, fixing-plate

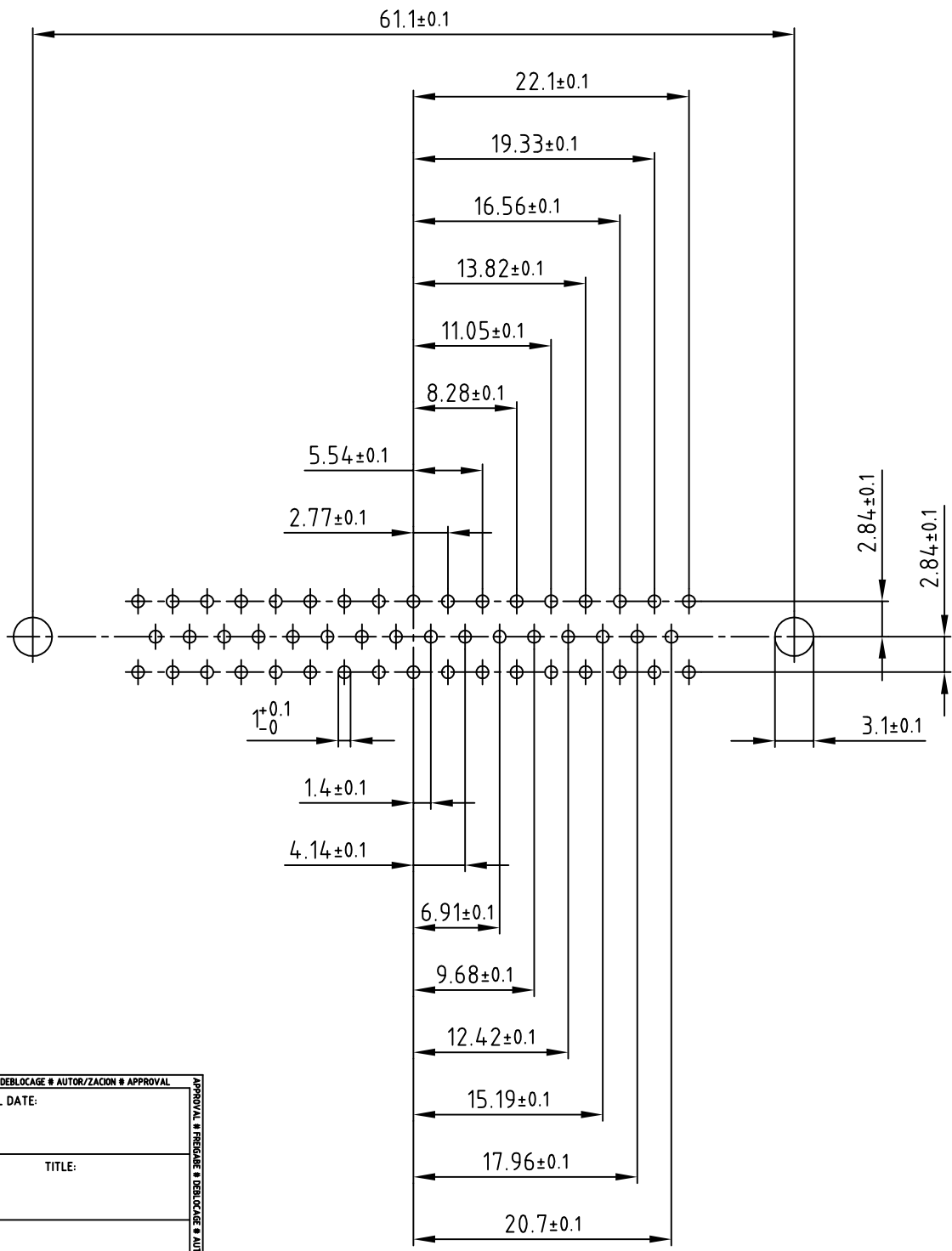
dwg no: AutoCAD 2000 DIN-A  
16K1A963 3 sh:1/2

part no: 163A18649X



4 3 2 1

used for: D-SUB



APPROVAL # FREIGABE # DEBLOCAGE # AUTOR/ZACION # APPROVAL	
CUSTOMER APPROVAL DATE:	
NAME:	TITLE:
COMPANY NAME:	
APPROVAL # FREIGABE # DEBLOCAGE # AUTOR/ZACION # APPROVAL	

THIS DRAWING MAY NOT BE COPIED OR REPRODUCED IN ANY WAY, AND MAY NOT BE PASSED ON TO A THIRD PARTY WITHOUT WRITTEN PERMISSION.  
OWNERSHIP AND COPYRIGHT OF CONEC GmbH  
DO NOT ALTER CAD DRAWING BY HAND

tolerance		dim. in mm	
2003	date	name	
drawn	27.05.	Lehmenkühler	
appd.	27.05.	Kühle	
norm	DIN 41652		
d-old			
rev.	description	date	name



scale:	2:1	
material:	SEE SHEET 1	
title:	P.C.B. HOLE DRILLINGS D-SUB MALE 90° 50pos. 0.318inch threaded lock,metal bracket,clip,fixing-plate	
dwg no:	AutoCAD	DIN-A
	16K1A963	4
		sh:2/2
part no:	SEE SHEET 1	

4 3 2 1