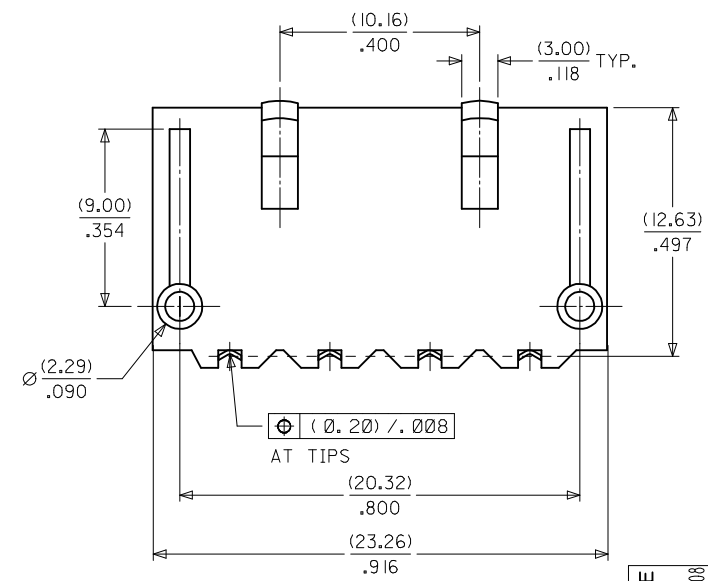
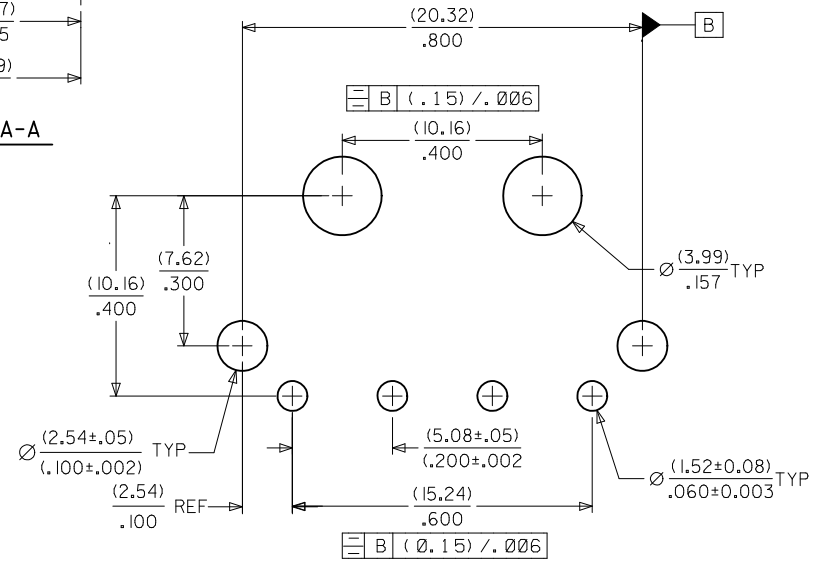


SECT A-A



- NOTES:
- 1) MATERIAL
HOUSING - NYLON 6/6, UNFILLED, UL94V-2, COLOR: NATURAL(OFF-WHITE)
TERMINAL - PHOSPHOR BRONZE
PLATING - POSTPLATE(0.00254)/.000100 MIN.
TIN OVER (0.00127)/.000050 MIN.
NICKEL OVERALL.
 - 2) PART INTENDED TO MATE WITH HOUSING 8981-4P AND TERMINAL 8980-3*
 - 3) PRODUCT SPEC PS-8981-4V* APPLIES.



RECOMMENDED P.C. BOARD LAYOUT (TOL. +/- (.13)/.005)

MAT'L NO.	ENG. NO.	'L'
A-8981-4R-1-LF	15-24-4441	(3.56)/.140

REMOVE MOIST BAG NOTE EC NO: S2012-0878 DRWN:SKANG CHKD:ATSEE APPR:MLONG	2012/10/08	2012/10/18	2012/11/02
	DESCRIPTION		
	REV		
	C7		

QUALITY SYMBOLS	▽=0		
	∇=0		
GENERAL TOLERANCES (UNLESS SPECIFIED)	mm	INCH	
	4 PLACES	± ---	± ---
	3 PLACES	± ---	± .008
	2 PLACES	± 0.20	± ---
	1 PLACE	± ---	± ---
ANGULAR ± 3 °			
DRAFT WHERE APPLICABLE MUST REMAIN WITHIN DIMENSIONS			

DIMENSION STYLE		SCALE	DESIGN UNITS	THIRD ANGLE PROJECTION
MM/IN		NTS	INCH	
DRAWN BY	DATE	TITLE		
GRXIE	2001/05/02	HEADER, 4 CKTS RIGHT ANGLE MOUNT		
CHECKED BY	DATE	MOLEX INCORPORATED		
KCL ING	2001/05/02			
APPROVED BY	DATE	DOCUMENT NO.	SHEET NO.	
SKTOH	2001/05/03	SD-8981-4R1	1 OF 1	
MATERIAL NO.	SEE TABLE			

THIS DRAWING CONTAINS INFORMATION THAT IS PROPRIETARY TO MOLEX INCORPORATED AND SHOULD NOT BE USED WITHOUT WRITTEN PERMISSION			
---	--	--	--