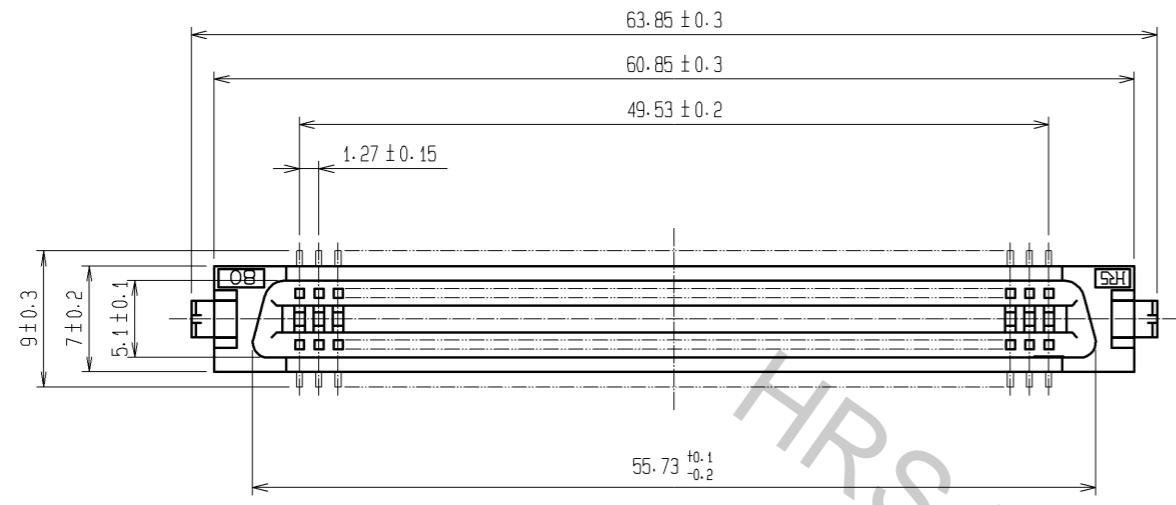
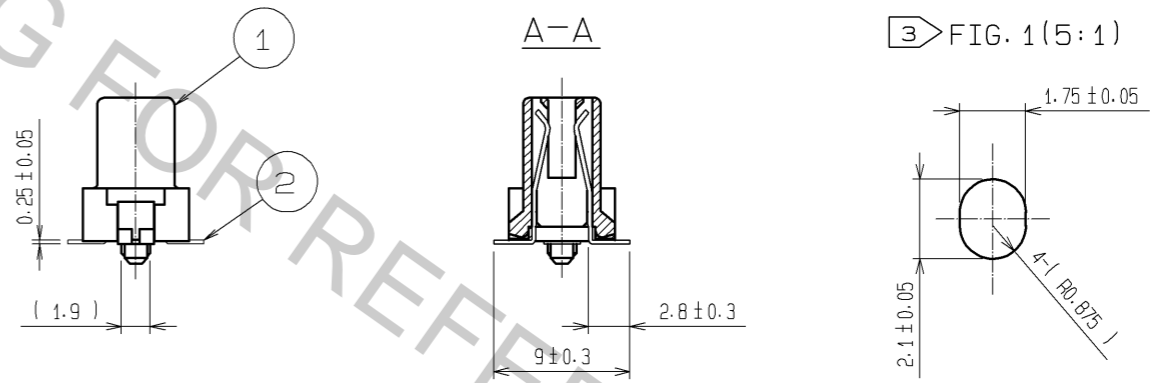
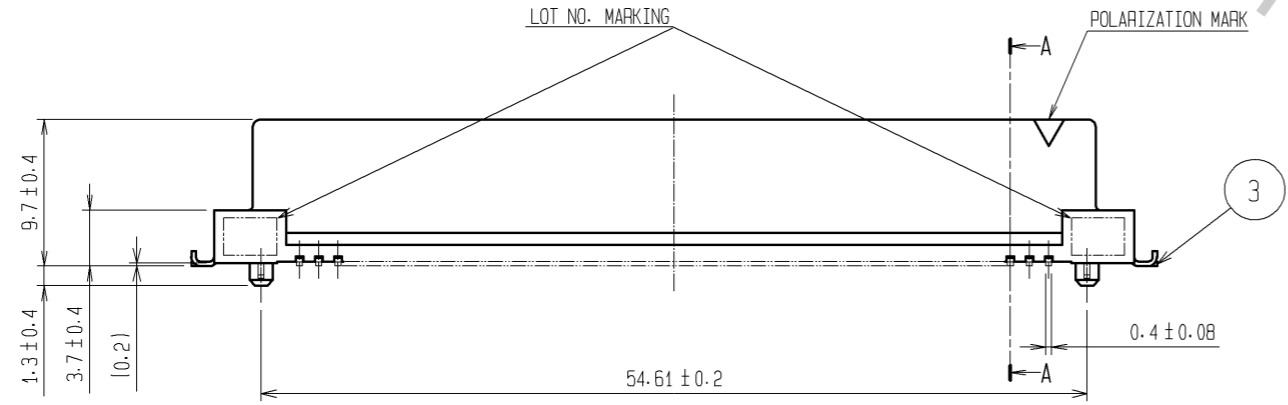
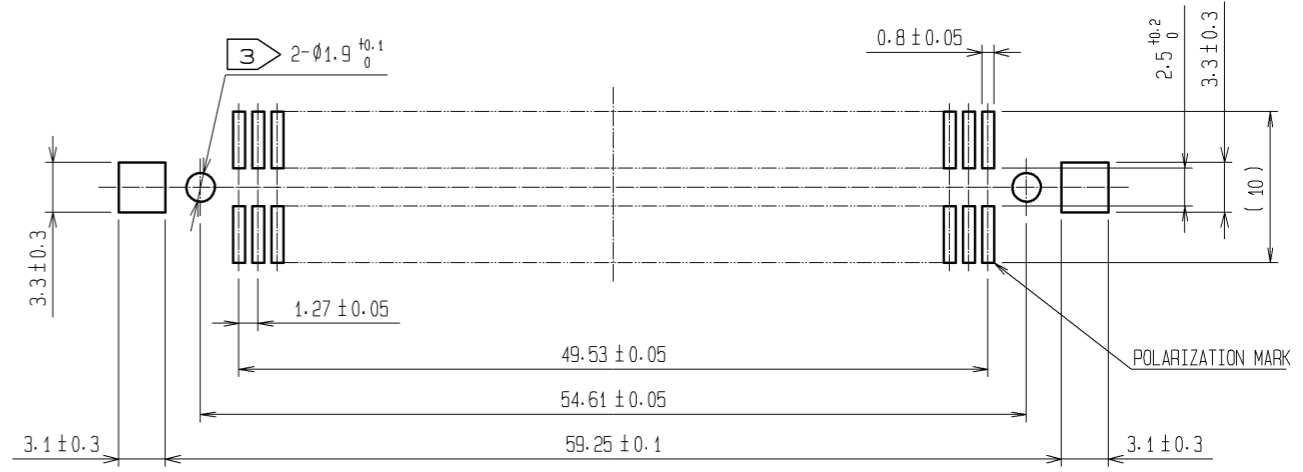


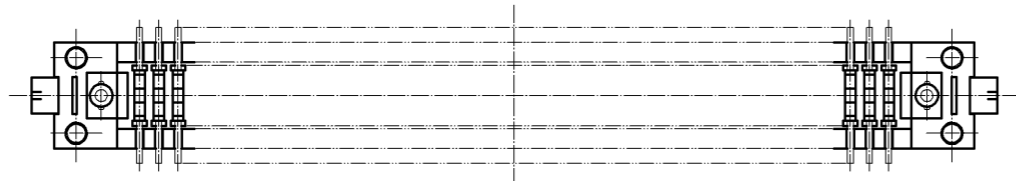
Apr.1.2017 Copyright 2017 HIROSE ELECTRIC CO., LTD. All Rights Reserved.



RECOMMENDED LAND PATTERN DIMENSION OF PCB (MOUNTING SIDE)



- NOTES 1 LEAD CO-PLANARITY SHALL BE 0.15 MAX.
 2 THE DIMENSIONS IN PARENTHESES ARE FOR REFERENCE.
 3 IN CASE OF THE AUTOMATED MOUNTING, RECOMMENDED HOLE DIAMETER OF BOSS IS SHOWN IN FIG. 1.



| 1 | PPS | LIGHT BROWN (UL94V-0) | 3 | BRASS | TIN-PLATING | | |
|--------------------------------------|----------|-----------------------|------------|-------------------------------|---------------------------------|---------|------|
| | | | 2 | PHOSPHOR BRONZE | CONTACT AREA:GOLD 0.2µm min. | | |
| | | | | | LEAD AREA:TIN-PLATING 2µm min. | | |
| | | | | | UNDER PLATING:NICKEL 1.5µm min. | | |
| NO. | MATERIAL | FINISH . REMARKS | NO. | MATERIAL | FINISH . REMARKS | | |
| UNITS | ⊕ | SCALE | COUNT | DESCRIPTION OF REVISIONS | DESIGNED | CHECKED | DATE |
| mm | | 2 : 1 | △ | | | | |
| HRS HIROSE ELECTRIC CO., LTD. | | APPROVED : HS. OKAWA | 07. 10. 19 | DRAWING NO. EDC3-082423-21 | | | |
| | | CHECED : HS. OZAWA | 07. 10. 19 | PART NO. FX2-80S-1. 27SVL(71) | | | |
| | | DESIGNED : SY. KAMIGA | 07. 10. 19 | CODE NO. CL572-2157-8-71 | | | |
| | | DRAWN : HK. SUNADORI | 07. 10. 19 | | | | |