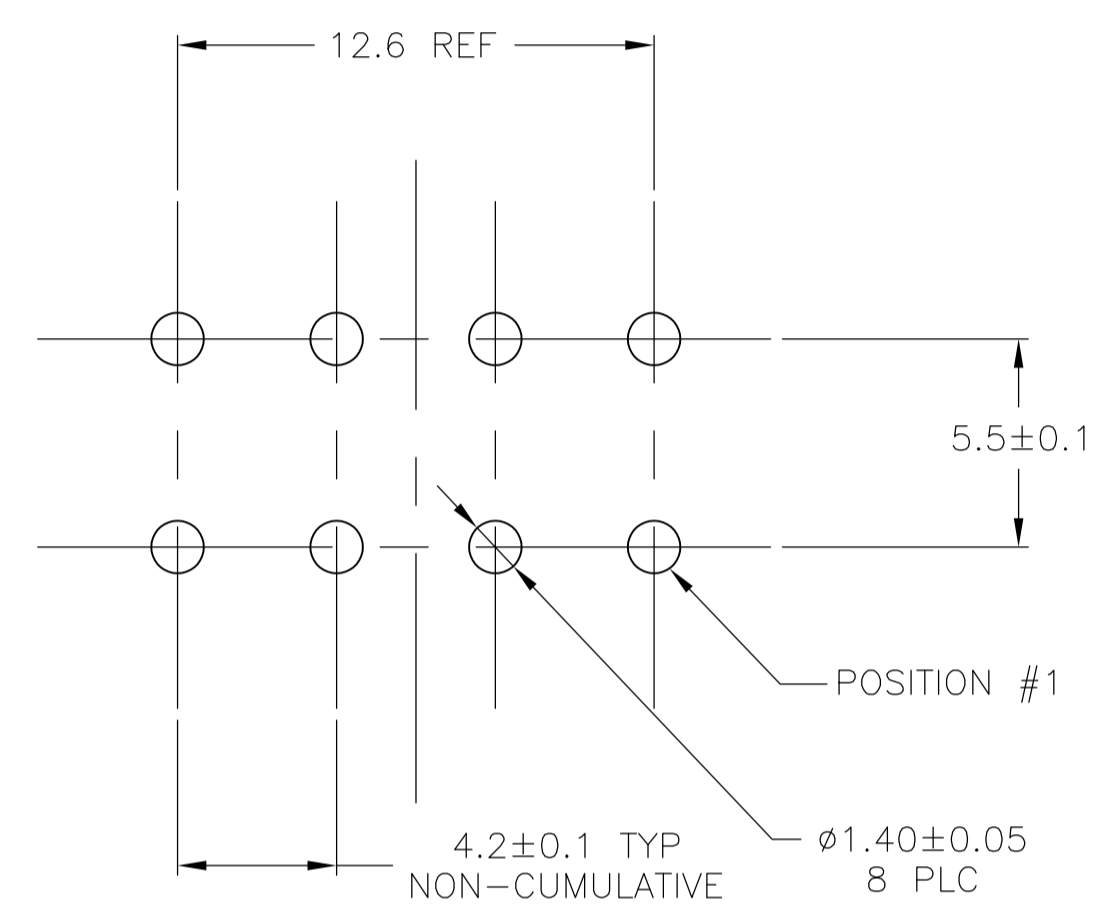
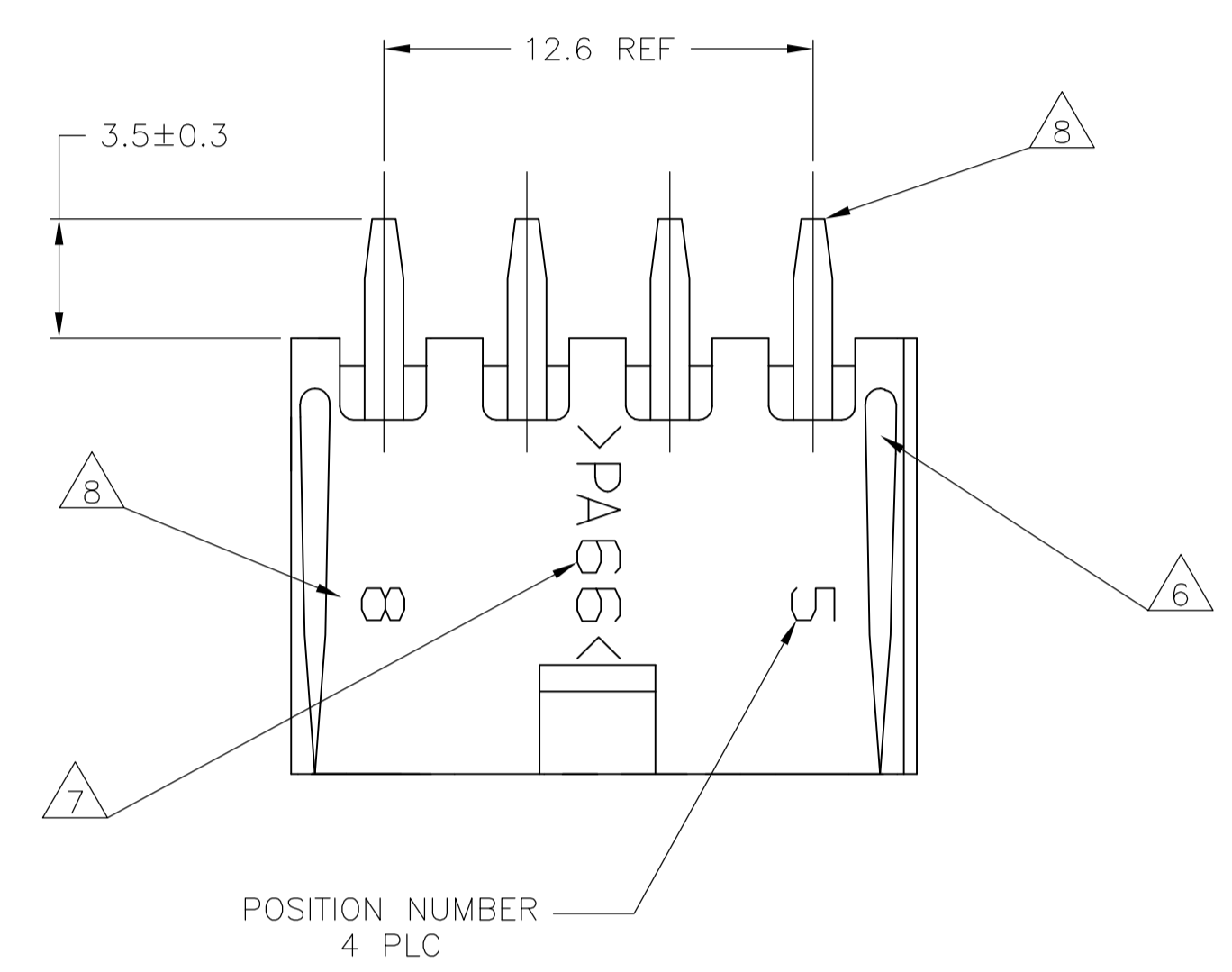
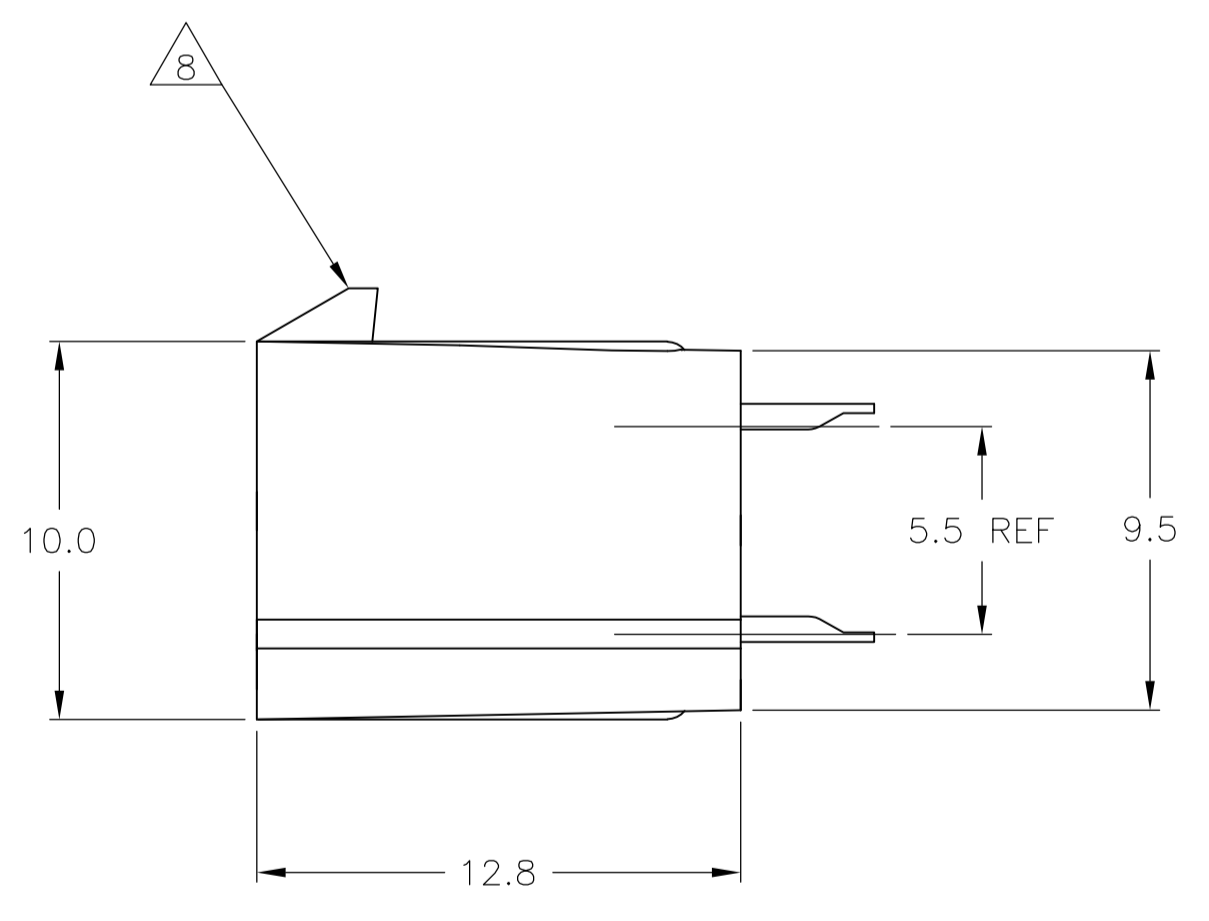
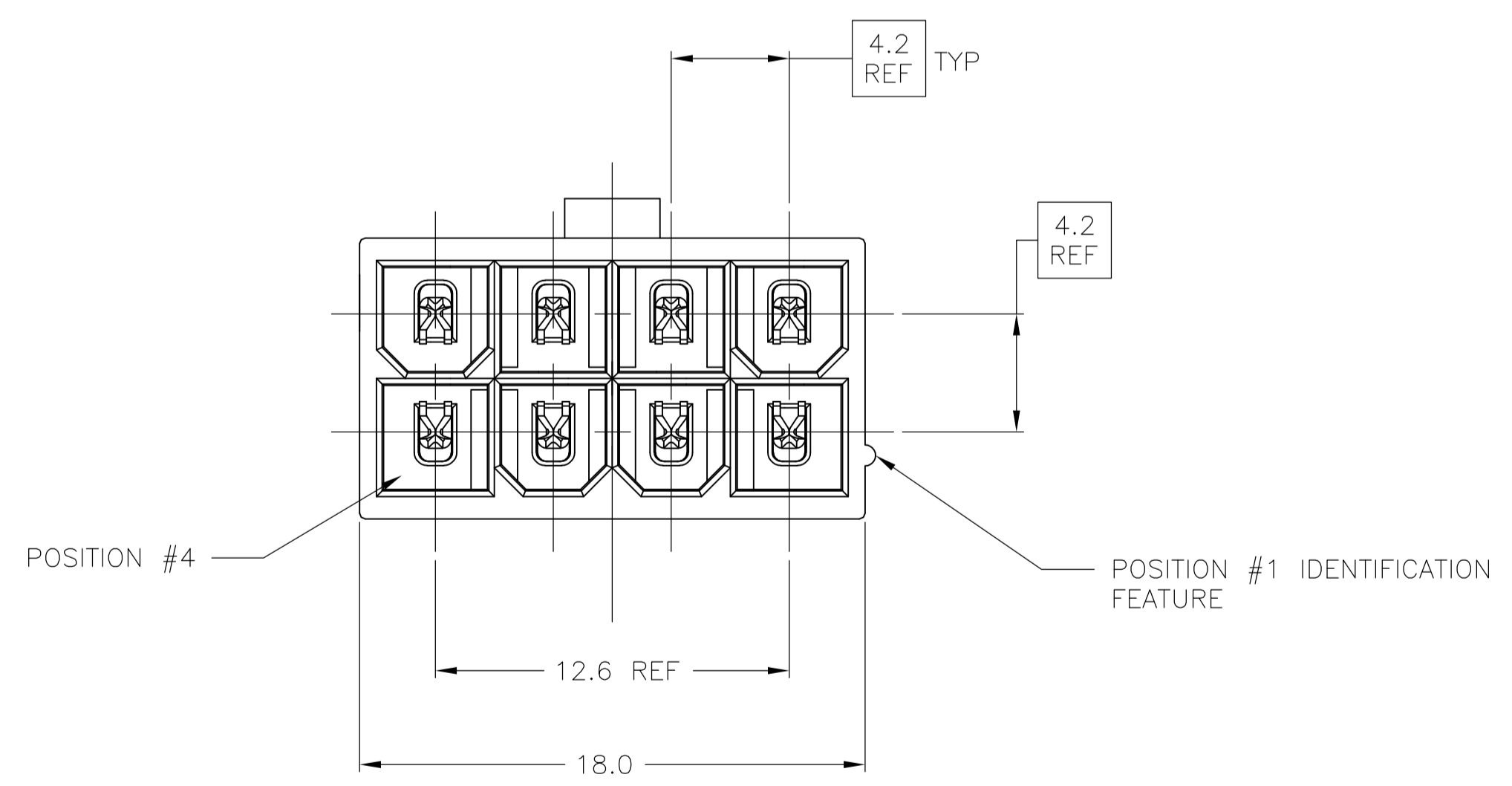


LOC		DIST		REVISIONS			
P	LTR	DESCRIPTION	DATE	DMN	APVD		
C		ECO-06-013157	19JUN06	BSV	DC		
C1		REVISED PER ECO-09-022908	08OCT09	KK	AEG		

- 1 MATERIAL:
HOUSING: NYLON, UL94V-2 (COLOR - NATURAL, COLOR OF PARTS MAY VARY).
CONTACTS: 0.25 THK COPPER ALLOY.
- 2 CONTACT FINISH: 0.003 MIN THK TIN-LEAD OVER 0.00127 MIN THK NICKEL OVER ENTIRE CONTACT.
- 3 CONTACT FINISH: 0.00076 MIN THK GOLD PLATE ON PIN MATING SURFACE, 0.003 MIN THK TIN-LEAD PLATE ON SOLDER TAIL, ALL OVER 0.00127 MIN THK NICKEL BASE PLATE.
- 4 SOLDER TAIL MEETS AMP SOLDERABILITY SPECIFICATION 109-11-2.
- 5 MATES WITH SIMILARLY PLATED AMP-DUAC™ POWER CONNECTOR RECEPTACLE HOUSINGS/SOCKET CONTACTS.
- 6 RIBS ON FOUR CORNERS OPTIONAL.
- 7 AMP LOGO AND MATERIAL ID MAY BE LOCATED ON EITHER LONG SIDE OF PART.
- 8 SIZE, SHAPE OR STYLE OF THIS FEATURE MAY VARY.
- 9 CONTACT FINISH: 0.003 MIN THK TIN OVER 0.00127 MIN THK NICKEL OVER ENTIRE CONTACT.
- 10 CONTACT FINISH: 0.00076 MIN THK GOLD PLATE ON PIN MATING SURFACE, 0.003 MIN THK TIN PLATE ON SOLDER TAIL, ALL OVER 0.00127 MIN THK NICKEL BASE PLATE.
- 11 OBSOLETE PARTS: OBSOLETE CIS STREAMLINING PER D.RENAUD/D.SINISI



RECOMMENDED MOUNTING HOLE PATTERN
 FOR 1.78 MAX THICK P.C. BOARD
 COMPONENT SIDE SHOWN



	1	10	1	1	1-794352-2
11	OBSOLETE	1	9	1	1-794352-1
	SUPERCEDED BY 1-794352-2	1	3	1	794352-2
	SUPERCEDED BY 1-794352-1	1	2	1	794352-1
	MATERIAL	FINISH	MATERIAL	COLOR	PART NO

CONTACT		HOUSING	
THIS DRAWING IS A CONTROLLED DOCUMENT.		DIN R VESTAL 03JUN98	Tyco Electronics Corporation Harrisburg, PA 17105-3608
DIMENSIONS: mm		CHK R SWING 03JUN98	NAME
TOLERANCES UNLESS OTHERWISE SPECIFIED:		APPD C CASH 03JUN98	PRODUCT SPEC
0 PLC ± -	1 PLC ± 0.2	108-1699	
2 PLC ± 0.13	3 PLC ± -	APPLICATION SPEC	
4 PLC ± -	ANGLES ± 0°30'	SIZE	CAGE CODE DRAWING NO
MATERIAL SEE TABLE	FINISH SEE TABLE	WEIGHT	A1 00779 C=794352
RESTRICTED CUSTOMER		SCALE 5:1	SHEET 1 OF 1 REV C1