



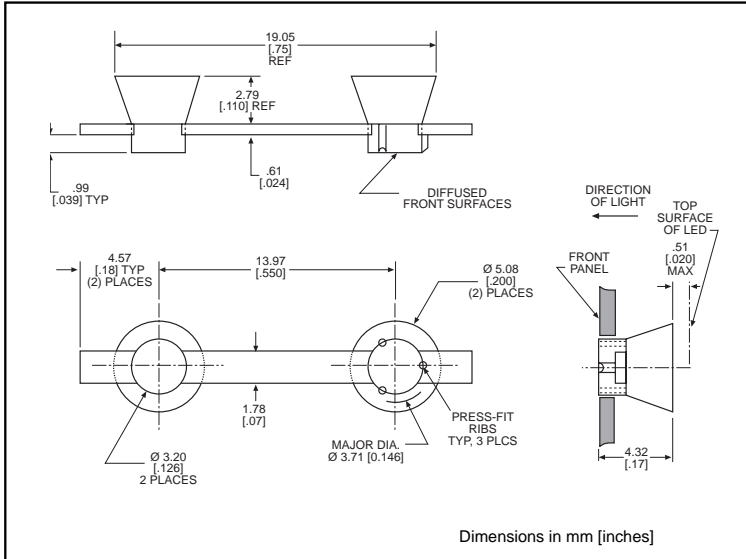
3.2mm Round

microLED® Optopipe™

Optical Light Pipe, 2 Array, Panel Mounted



515-1033



LEDs for use with 515-1033

<u>Recommended</u>	<u>PAGE #</u>
521-9247	6-44
521-9249	6-44
521-9251	6-44
550-xx10	6-17
550-5504	6-9
550-5505	6-11
550-5507	6-13
550-5508	6-15
550-5604	6-9
550-5605	6-11
550-5607	6-13
550-5608	6-15
550-5704	6-9
550-5705	6-11
550-5707	6-13
550-5708	6-15

2

Features

- High transmissivity polycarbonate material
- UL94V-0 compliance
- ESD protection (circuit isolation from front panel)
- Wide viewing angle
- Arrays reduce insertion costs
- Secures to panel by press-fit

(Also recommend supplement means of securing -- for example, clamping)

Alternatives

521-9430	4-61
521-9431	4-61
521-9432	4-61

LED alternatives may not produce optimum light output

LED Data

For absolute maximum ratings and other electrical and optical data on the recommended LEDs, refer to LED data sheets.

Operating/Storage Temperature

-30°C to +100°C

Dialight Optopipe Light Pipe Description

This Optopipe™ is clamped to the inside of the plastic panel. The light pipe is not attached to the PCB at any point but floats in front of it. The splines on the tubular section on the right hand side hold the light pipe in place for the clamping operation. The funnel end faces the light source. The tubular sections fit through the plastic panel. The light emitting surface is textured to diffuse the light passing through it. The light source can be any super-bright 2mm, 3mm, or 5mm LED, or one of Dialight's 597 Series SMT LEDs. The light source's emitting surface should be located no more than 0.020" or 0.5mm from the Optopipe™. The light sources are mounted in a straight line facing the rear of the light pipe on a 14mm pitch. The light pipe material is water clear transmissive polycarbonate rated UL94-V0, and has a 35% oxygen index.

Dialight can provide custom Optopipe™ solutions for your applications.