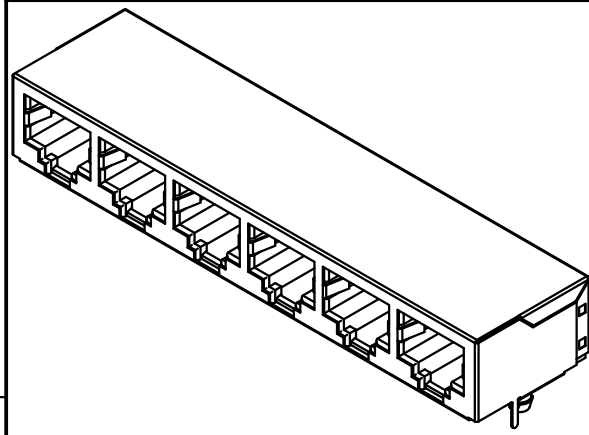
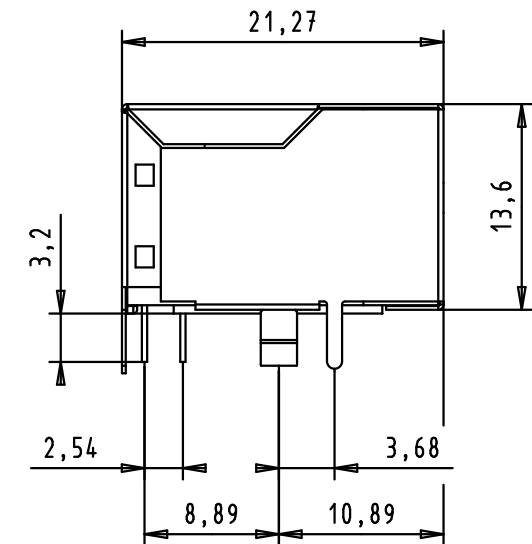
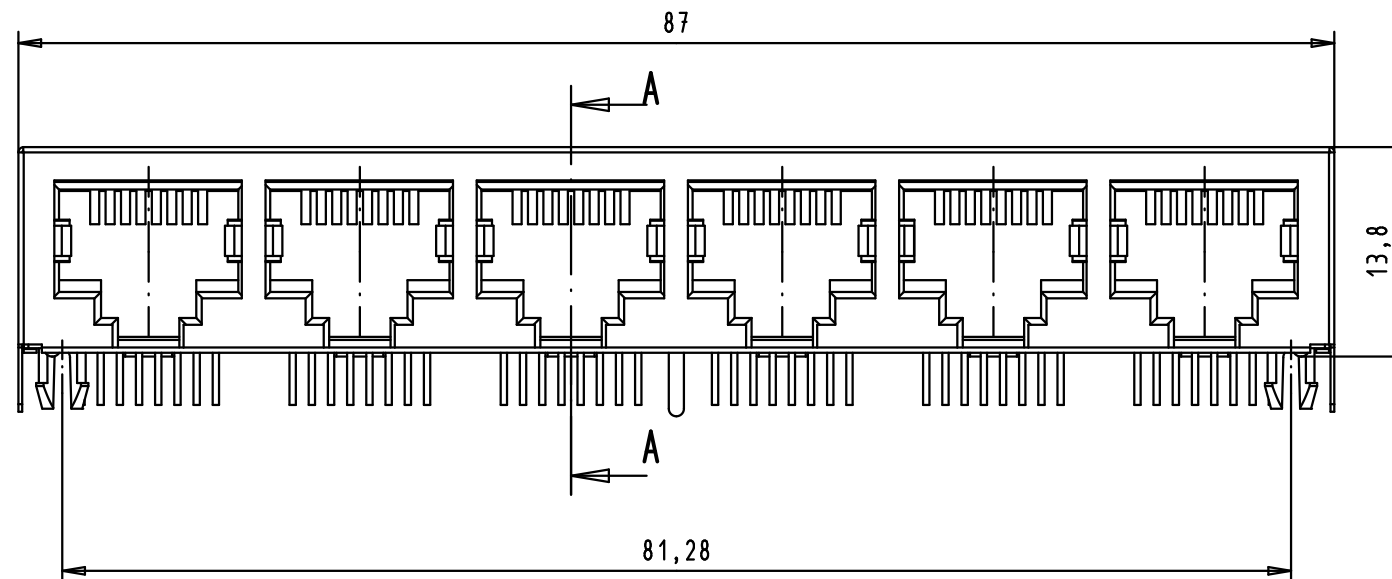
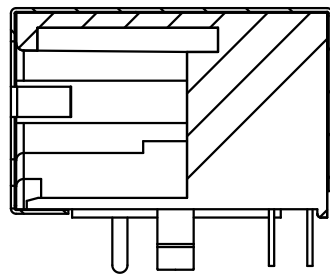
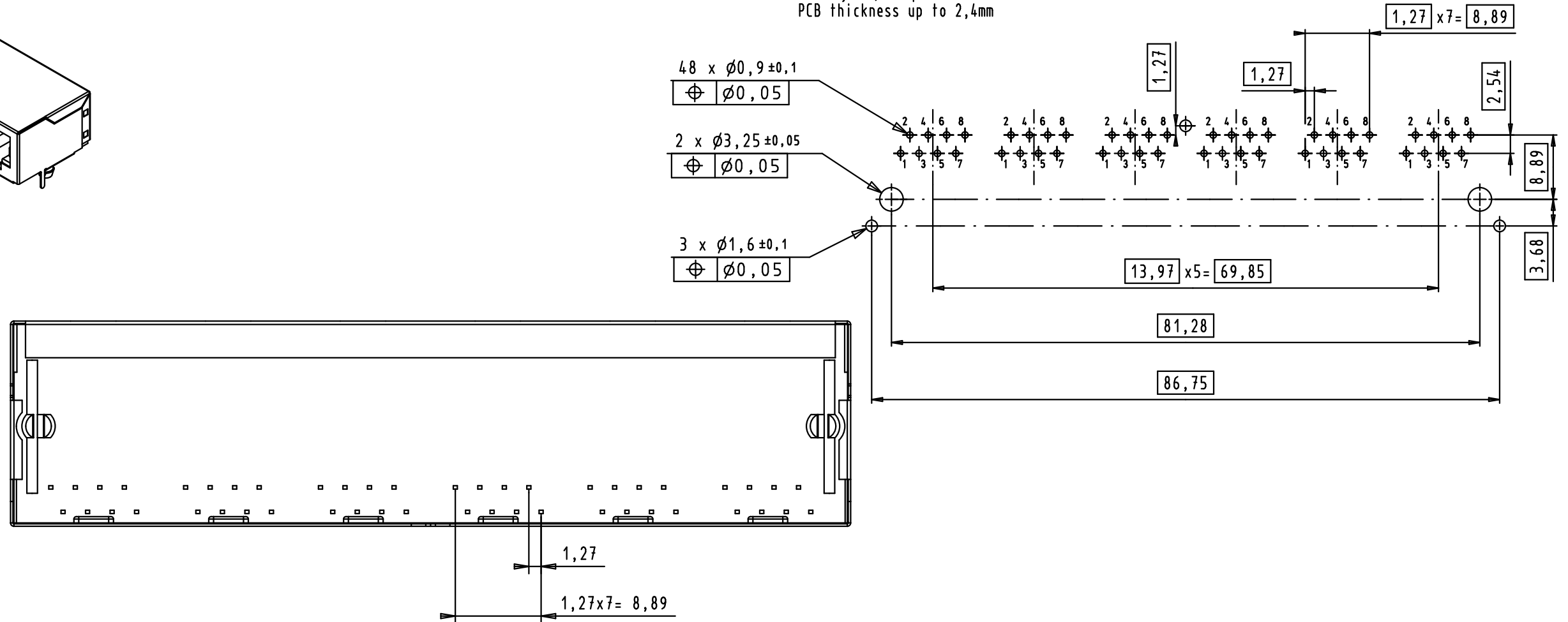


Alle Rechte vorbehalten/ All rights reserved



PCB layout, component side
PCB thickness up to 2,4mm



Material: brass plating nickel alloy
Shielding: Thermoplastic, UL-94-V0, black
Insert: -Phosphor Bronze, selective gold plating
 15µ" over nickel in contact area
 -Tin plating over nickel in solder area

All Dimensions in mm Original Size DIN A 3			Techn. Character.			Nicht tolerierte Maße/ Free size tolerances			
			Dat.	Name	Maßstab/Scale 2:1	HARTING RJ Industrial® 6-ports modular RJ 45 Jack with 6x8 signal solder pins and 3 grounding solder pins			
			Detail.	09/DEC/11					BH
			Insp.	09/DEC/11					JB
			Stand.						
36299	20/04/12	SD	HARTING EURL F-95972 Paris				TB 09 45 551 1126		Blatt/ page 1 / 1
EC03766			Mod.	Dat.	Name		Sub.		