

DETAILS

Product Number	C12219_STRADA-A2
Family	Strada
Type	Lens
Color	clear
Diameter	19,6 +15,4 mm
Height	10,5 mm
Style	rectang
Optic Material	PMMA
Holder Material	
Fastening	glue, screw, pin
Status	production ready
ROHS Compliant	Yes
Date Updated	7/03/2014



OPTICAL PROPERTIES

LED	Viewing Angle	Light Beam	Efficiency	cd/lm	Connector
XP-E	68+ 136 deg	Streetligh...	92 %	1.100	-
XP-G	72+144 deg	Streetligh...	92 %	0.850	-
LUXEON A	74+ 144 deg	Streetligh...	92 %	-	-
LUXEON Rebel ES	82+135 deg	Streetligh...	94 %	1.100	-
LUXEON R	82+137 deg	Streetligh...	94 %	1.100	-
Z5	78+ 136 deg	Streetligh...	-	-	-

D

C

B

A

4

3

2

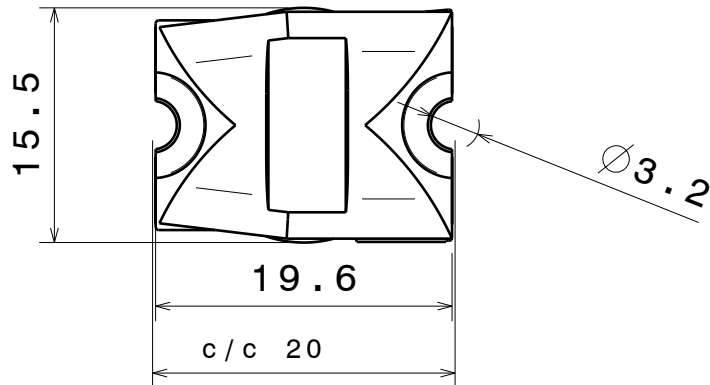
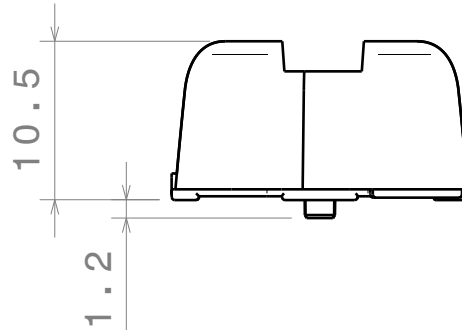
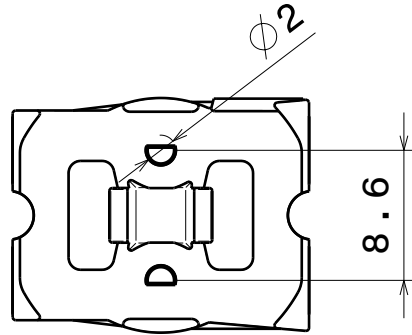
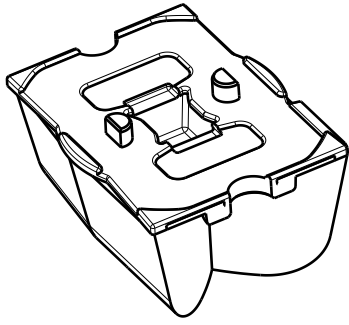
1

4

3

2

1



Material: PMMA

This drawing is our property.
It can't be reproduced
or communicated without
our written agreement.



L
T
F
F

e
e
i
i
n
n

d
h

DRAWING TITLE

Datasheet Strada-A2 Lens

DRAWN BY

DATE

p

05.08.2011

CHECKED BY

DATE

t

k

07.07.2011

DESIGNED BY

DATE

hh

20.11.2008

SIZE

DRAWING NUMBER

REV

A4

0.1

SCALE

2:1

WEIGHT (g)

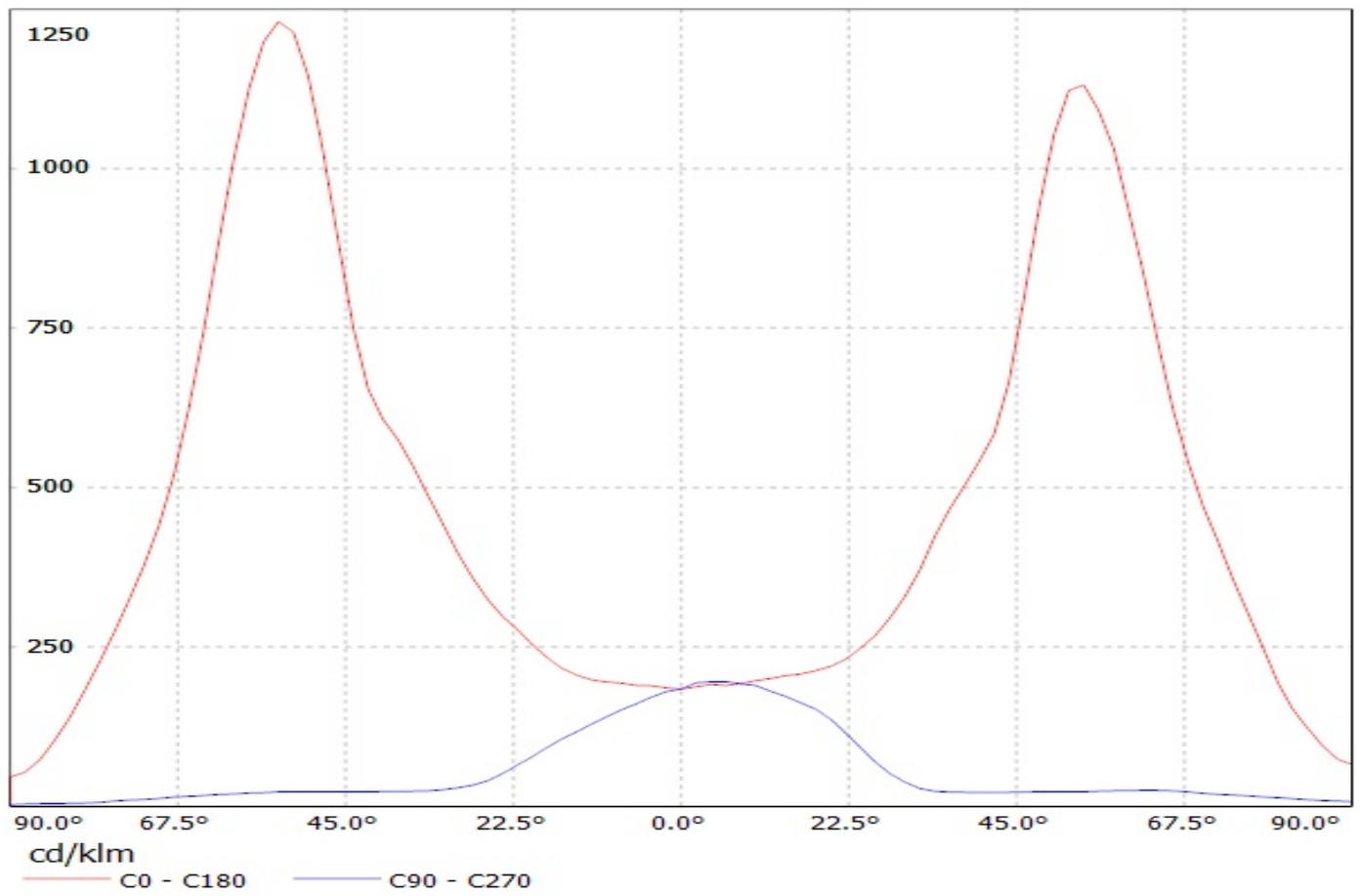
SHEET

1/1

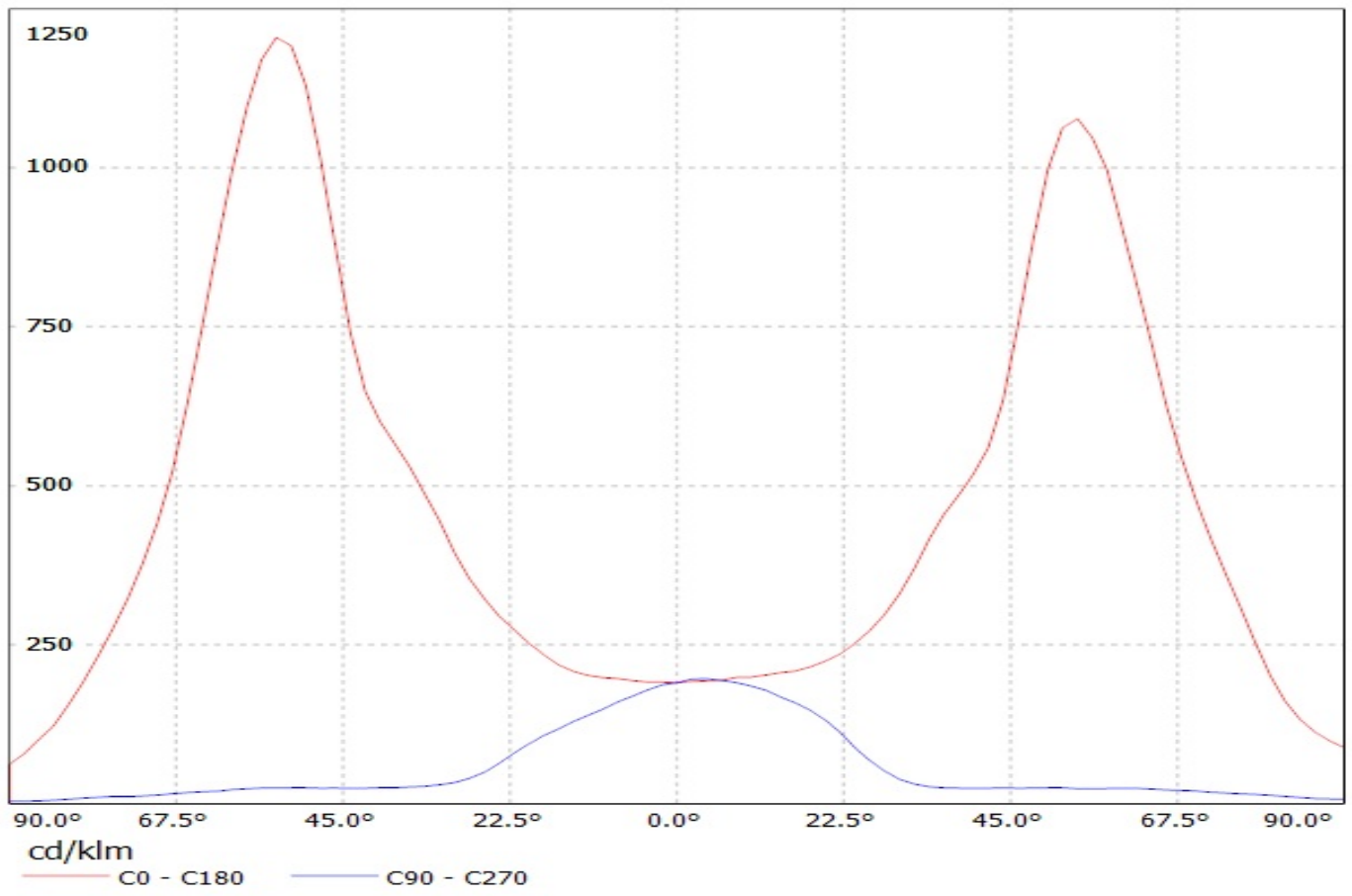
D

A

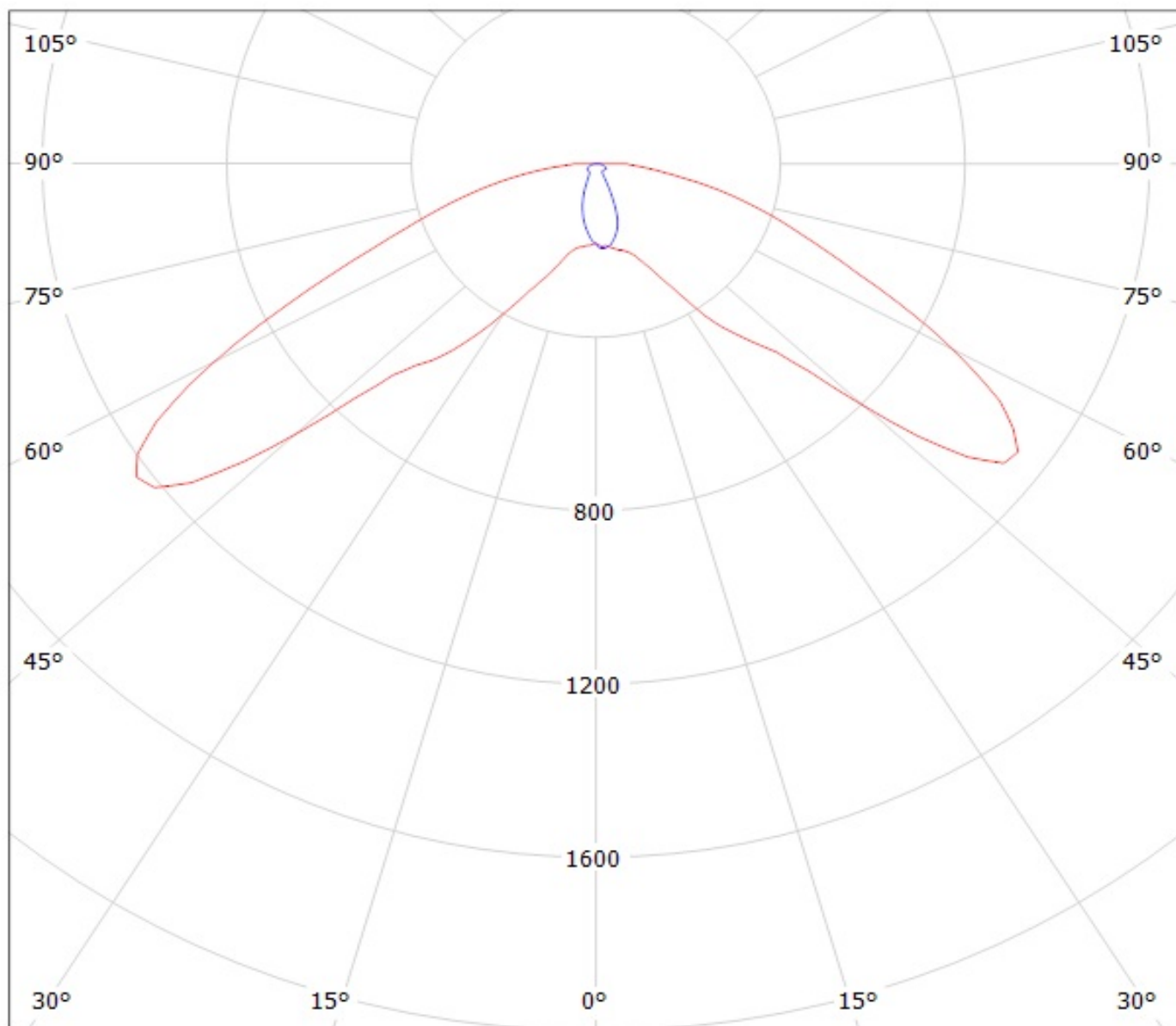
Luminaire: Ledil Oy C12219_STRADA-A2 (Luxeon Rebel-ES 92lm @ 250mA) Efficiency=94%
Lamps: 1 x Luxeon Rebel-ES 92lm @ 250mA



Luminaire: Ledil Oy C12219_STRADA-A2 (Luxeon R 85lm @ 250mA) Efficiency=94%
Lamps: 1 x Luxeon R 85lm @ 250mA



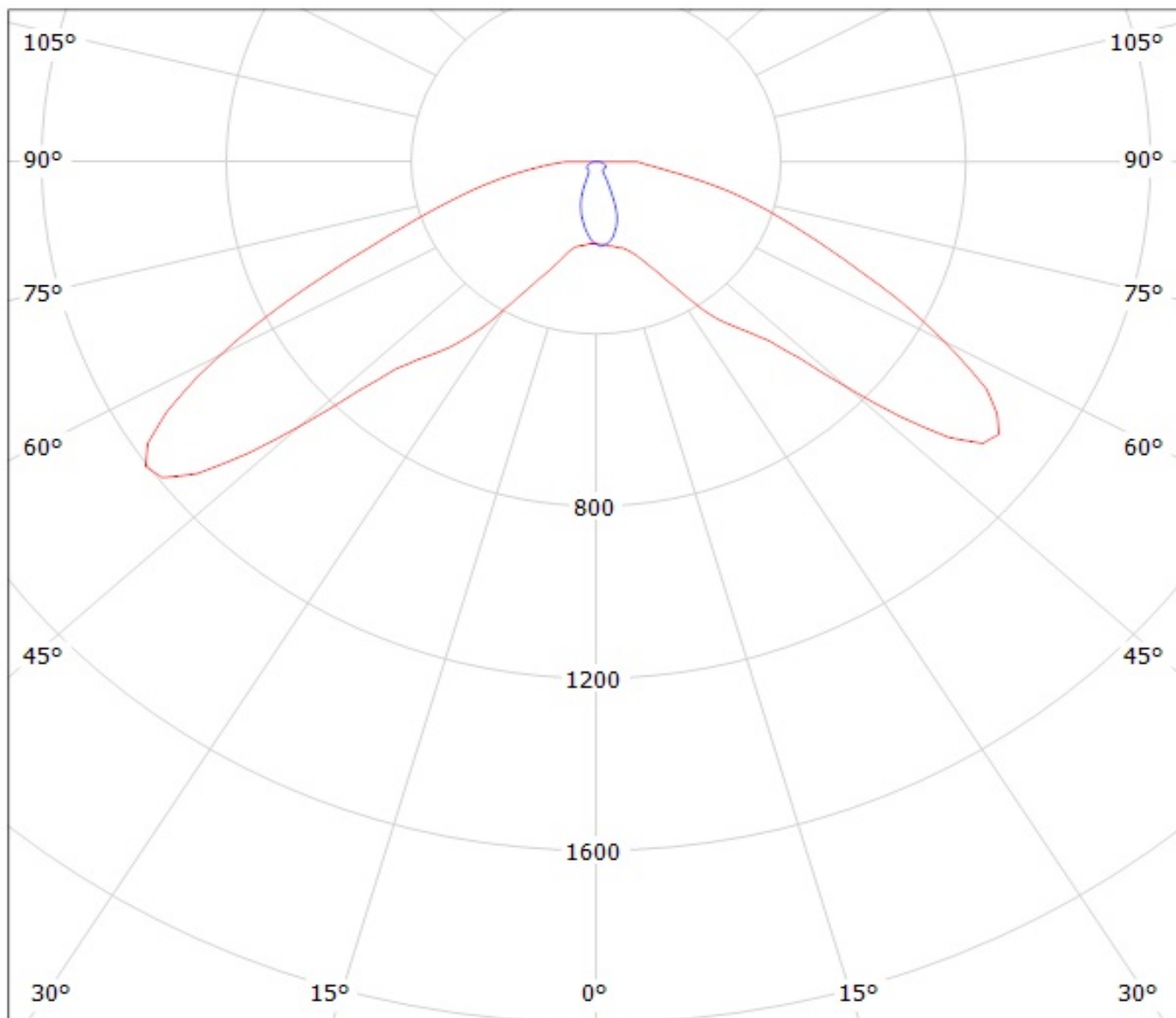
Luminaire: Ledil Oy C12219_STRADA-A2 (Luxeon Rebel-ES 92lm @ 250mA) Efficiency=94%
Lamps: 1 x Luxeon Rebel-ES 92lm @ 250mA



cd/klm

— C0 - C180 — C90 - C270

Luminaire: Ledil Oy C12219_STRADA-A2 (Luxeon R 85lm @ 250mA) Efficiency=94%
Lamps: 1 x Luxeon R 85lm @ 250mA



cd/klm

— C0 - C180 — C90 - C270

NOTE: The typical divergence will be changed by different color, chip size and chip position tolerance. The typical total divergence is the full angle measured where the luminous intensity is half of the peak value.