



PRODUCT DATASHEET

Barbara series

last update 3/4/2017

DETAILS

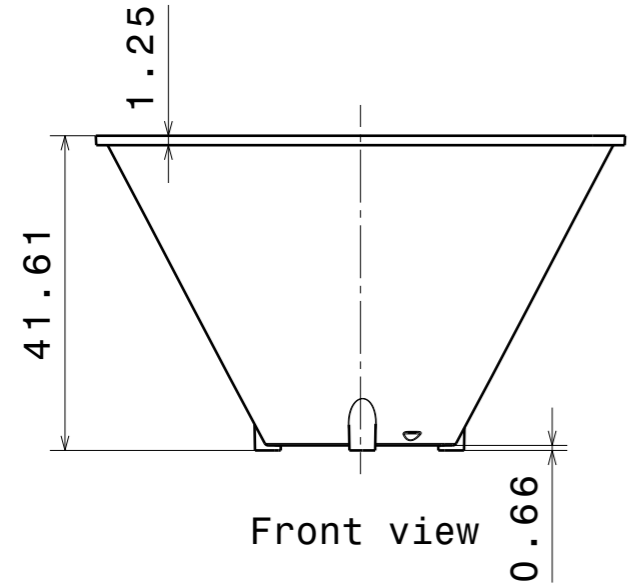
Product Number	F13701_BARBARA-W-PF
Family	Barbara
Type	Reflector
Color	metal
Diameter	70 mm
Height	41,7 mm
Style	round
Optic Material	PC
Holder Material	
Fastening	socket
Status	production ready
ROHS Compliant	Yes
Date Updated	3/04/2017



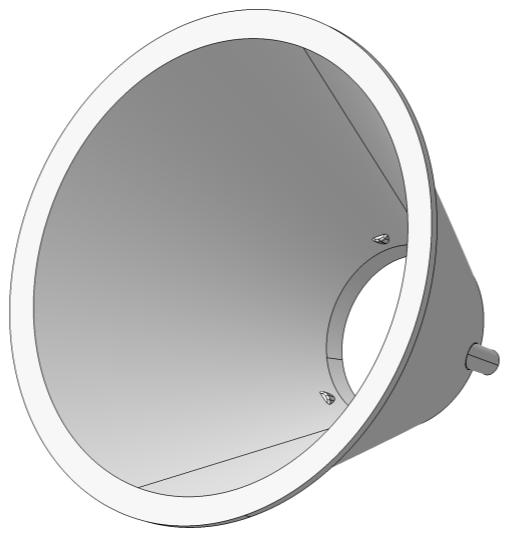
OPTICAL PROPERTIES

LED	Viewing Angle	Light Beam	Efficiency	cd/lm	Connector
VERO10	sim: 30	Wide	-	-	-
VERO13	sim: 34	Wide	-	-	-
VERO18	sim: 43	Wide	-	-	-
CXA/B 15xx	sim: 28	Wide	-	-	-

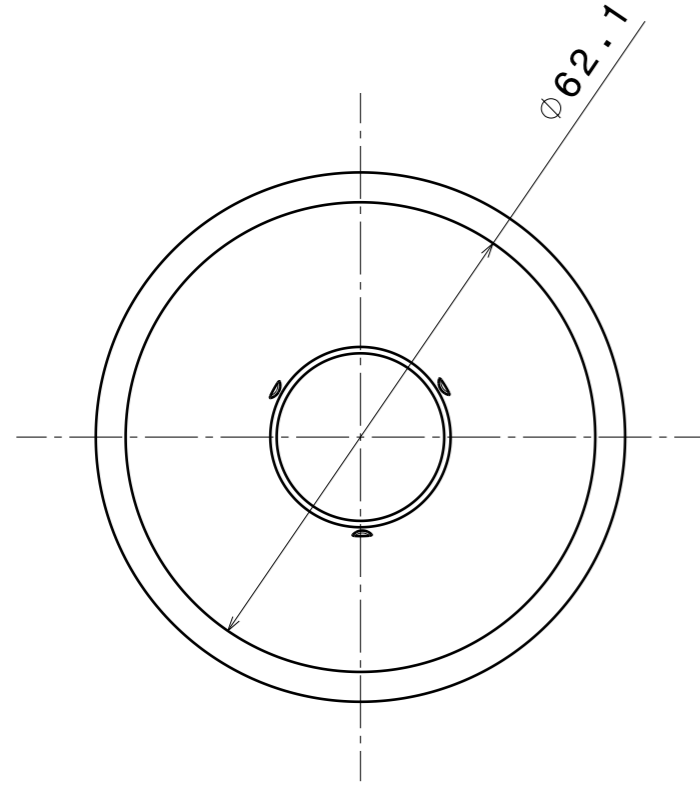
H G F E D C B A



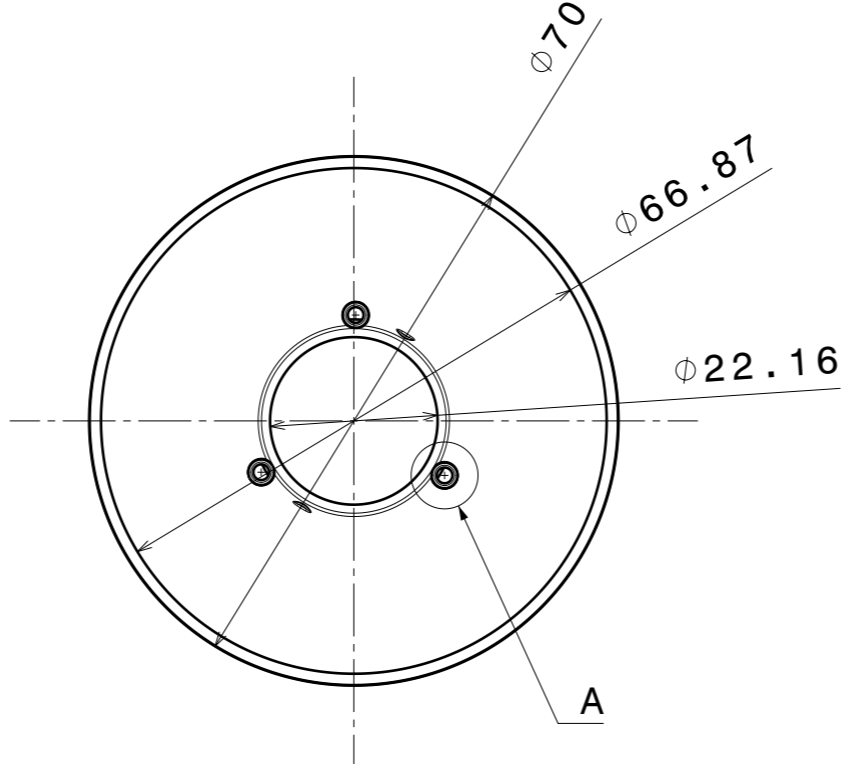
Front view



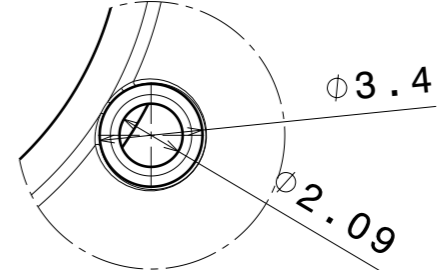
Isometric view



Top view



Bottom view



Detail A
Scale: 4:1

This drawing applies to:
 C13700_BARBARA-S-PF
 C13701_BARBARA-W-PF
 C13702_BARBARA-WW-PF
 C13703_BARBARA-XW-PF

Tolerances if not otherwise shown
 According to DIN ISO 2768-1
 Linear measures:
 Up to 30mm class M, otherwise class C.
 According to DIN ISO 2768-2
 Form and position: class L

LEDiL Ledil Oy
 Salorankatu 10
 FIN 24240 SALO
 Finland

THIRD ANGLE PROJECTION:

DRAWING TITLE
Datasheet_BARBARA-PF

This drawing is the property
 of LEDiL Oy. It may not be
 reproduced, copied or
 communicated without a written
 agreement with LEDiL Oy."

SIZE	PART NUMBER		
A3	-		

SCALE	1:1	WEIGHT	(g)	SHEET	1/1
-------	-----	--------	-----	-------	-----

H G B A

NOTE: The typical divergence will be changed by different color, chip size and chip position tolerance. The typical total divergence is the full angle measured where the luminous intensity is half of the peak value.

GENERAL INFORMATION

- Product series especially designed & optimized for series of LEDs.
- Special care taken to make light distribution as uniform as possible.

Note! Due to use of high power COB's with this product, special attention to proper thermal design is highly recommended. LEDiL has no liability for direct, indirect or consecutive damages arising from the LEDiL products being used outside of the recommended temperature range.