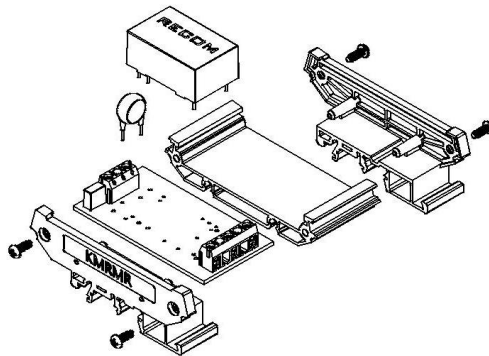
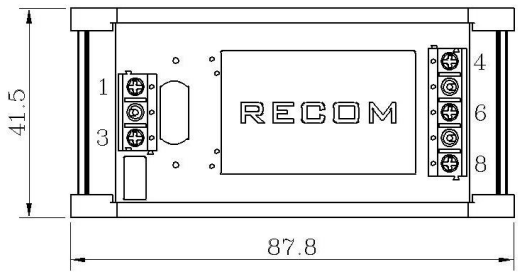
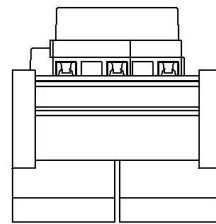
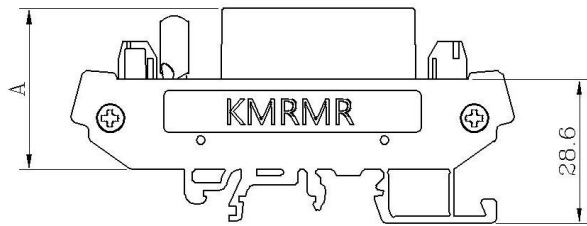


# RECOM Removable DIN-Rail Mounting Bracket

## RAC01~03-xxSC Series Screw Terminal Module Option



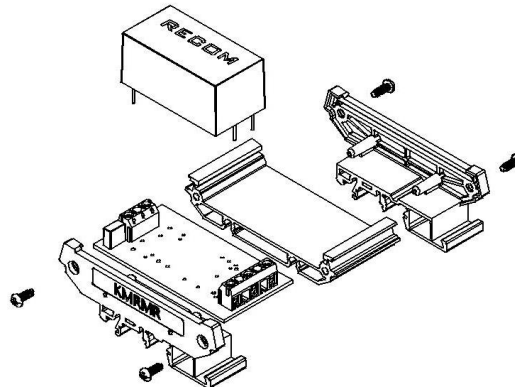
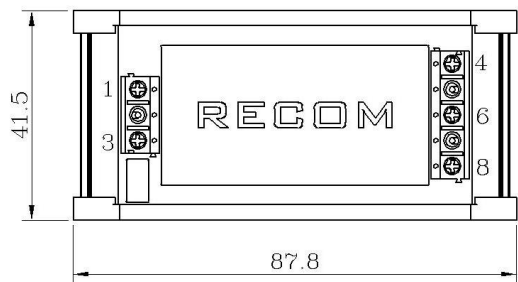
3rd angle projection



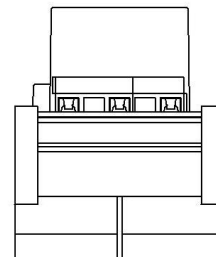
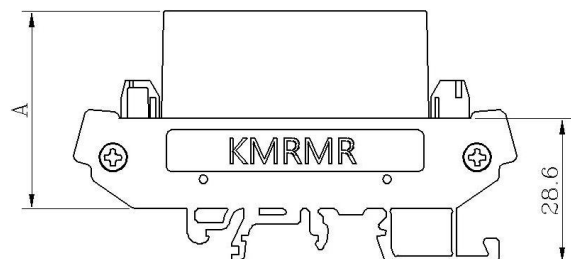
Pin Connections	
Pin#	
1	VAC in(N)
3	VAC in(L)
4	Dual -VDC out
6	Dual Com Single -VDC out
8	+VDC out
Tolerance $\pm 0.5\text{mm}$	

**A: RAC01~02-xxSC Series = 32.8 mm. RAC03-xxSC Series = 31.5 mm.**

## RAC04C-xxS(D)H , RAC05~06-xxSC RAC10-xxS(D)C Series Screw Terminal Module Option



3rd angle projection



Pin Connections	
Pin#	
1	VAC in(N)
3	VAC in(L)
4	Dual -VDC out
6	Dual Com Single -VDC out
8	+VDC out
Tolerance $\pm 0.5\text{mm}$	

**A: RAC04C-xxS(D)H Series = 32.2 mm. RAC05~06-xxSC Series = 31.5 mm.  
RAC10-xxS(D)C Series = 38.6 mm.**

## Products Figure

