

Tous droits strictement réservés. Reproduction ou communication a des tiers interdite sous quelque forme que ce soit sans autorisation écrite du propriétaire. Propriété de c FCI. Droits de reproduction FCI.

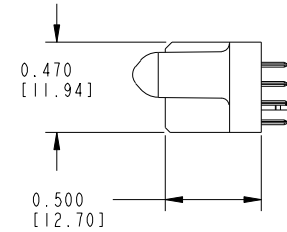
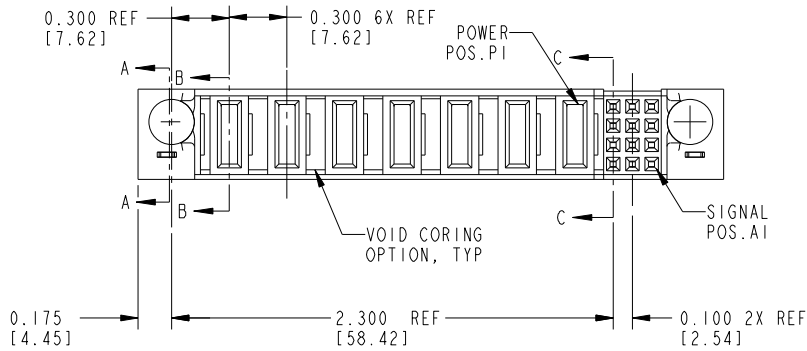
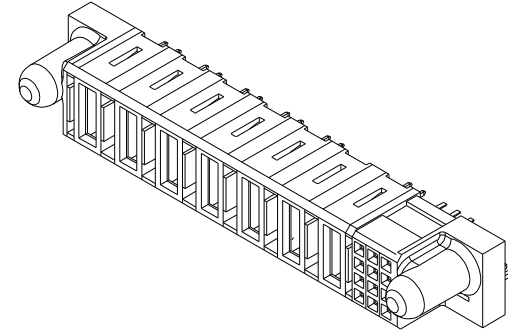
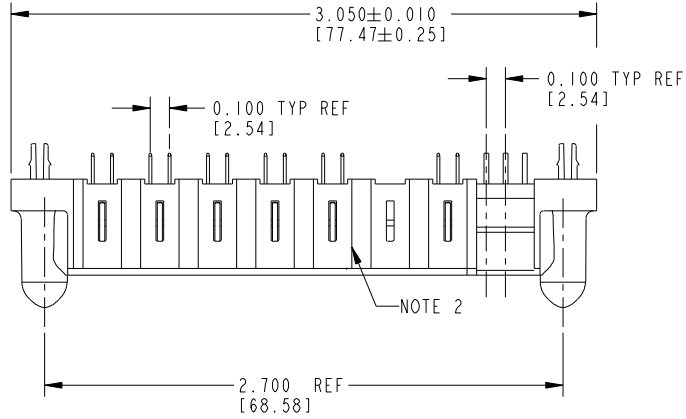
All rights strictly reserved. Reproduction or issue to third parties in any form whatever is not permitted without written authority from the proprietor. Property of FCI. Copyright FCI.



PRODUCT NUMBER

51684-001

NOTE: (3)



mat'l code				NOTE 1		tolerances unless otherwise specified		CUSTOMER		FCI	
lir	ecn no.	dr	date	linear	.xx±.01/0.X±0.3	COPY		projection		www.fciconnect.com	
A	V02393	EKK	10-18-00		.xxx±.005/0.xx±0.13	A		title		12S + 7ACP	
B	DG05-0171	GuoJM	06/19/05	angles	.xxx±.0020/.xxx±.051	B		product family		PWRBLADE	
C	DG06-0375	JULIA	09/06/06		0°±2°	C		size		213	
				dr	S. ROYER 12/13/99	INCH/MM		product family		code	
				enrg	J. BROWN 12/13/99	1:1		size		213	
				chr	J. BROWN 12/13/99			dwg no		sheet	
				appd	J. BROWN 01/18/00			A		1 of 3	
sheet index	revision sheet	C	C					51684		cage code	
		1	2							22556	
			3							4	

Pro/E

PDM: Rev: C

STATUS: Released

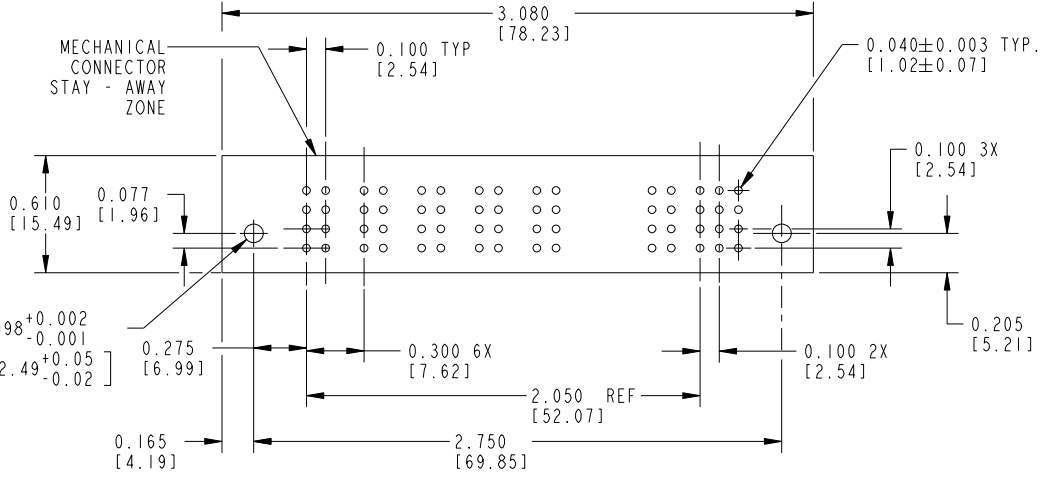
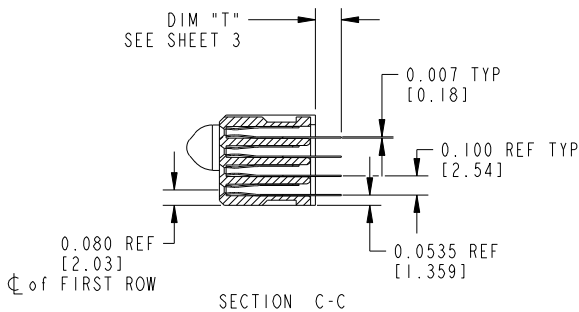
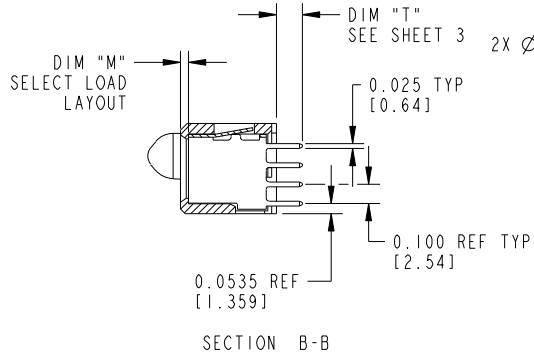
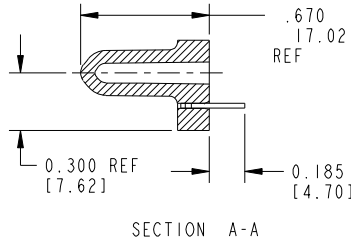
Printed: Dec 20, 2010

Tous droits strictement réservés. Reproduction ou communication a des tiers interdite sous quelque forme que ce soit sans autorisation écrite du propriétaire. Propriété de c FCI. Droits de reproduction FCI.

All rights strictly reserved. Reproduction or issue to third parties in any form whatever is not permitted without written authority from the proprietor. Property of FCI. Copyright FCI.



PRODUCT NUMBER  
51684-001  
NOTE: (3)



RECOMMENDED PCB LAYOUT

mat'l code		-		tolerances unless otherwise specified		CUSTOMER		 www.fciconnect.com	
lbr	ecn no.	dr	date	linear	.XX±.01/0.X±0.3	COPY		title	
C					.XXX±.005/0.XX±0.13	projection		12S + 7ACP	
				angles	.XXX±.0020/.XXX±.051			VERTICAL SOLDER RECEPTACLE	
				dr	0°±2°			product family	
				enrg	S. ROYER 12/13/99	INCH/MM		PWRBLADE	
				chr	J. BROWN 12/13/99	scale		code	
				appd	J. BROWN 01/18/00	1:1		213	
sheet index		revision sheet				A		51684	
								sheet 2	

cage code 22556

Pro/E

PDM: Rev: C

STATUS: Released

Printed: Dec 20, 2010

Tous droits strictement réservés. Reproduction ou communication a des tiers interdite sous quelque forme que ce soit sans autorisation écrite du propriétaire. Propriété de c FCI. Droits de reproduction FCI.



All rights strictly reserved. Reproduction or issue to third parties in any form whatever is not permitted without written authority from the proprietor. Property of FCI. Copyright FCI.

PRODUCT No.	ROWS	POWER											ITEM NO.	QTY	DIM "M" MATING LENGTH ±.010 [0.25]		DIM "T" TAIL LENGTH ±.010 [0.25]		CONTACT TYPE	
		E2	P7	P6	P5	P4	P3	P2	P1	3	2	1			E1					
51684-001 - NOTE: ③	D C B A													HA	2	N/A	[N/A]	N/A	[N/A]	HOLD-DOWN
														PA	6	0.042	[1.07]	0.135	[3.43]	POWER
														E	12	N/A	[N/A]	0.135	[3.43]	SIGNAL

CONNECTORS - NOTES:

- HOUSING MATERIAL: GLASS FILLED HIGH TEMP. THERMOPLASTIC, FLAME RETARDANT PER UL94 V-0.  
SIGNAL PIN MATERIAL: COPPER ALLOY  
POWER CONTACT MATERIAL: COPPER ALLOY
  - "MANUFACTURER'S NAME", P/N, AND DATE CODE TO APPEAR ON THIS SURFACE
  - 51684-001;51684-001LF;51684-001GLF PLATING SPEC. SEE PRINT:10064183
- PCB - NOTES:
- ALL DIMENSIONS ARE BASIC UNLESS OTHERWISE SPECIFIED.
  - ALL THROUGH HOLES ARE LOCATED WITH A TRUE POSITION OF .004
  - ALL HOLE DIAMETERS ARE FINISHED HOLE SIZE
  - Ø0.098 THROUGH HOLES ARE UNPLATED
  - Ø.0453/1.151 DRILLED HOLES PLATED WITH .0003/.007 MIN SnPb or Sn OVER .001/1.03 to .003/.08 Cu PLATING TO ACHIEVE A .040±.003/1.02±.08 HOLE

mat'l code		tolerances unless otherwise specified		CUSTOMER			
lfr	ecn no.	dr	date	COPY		www.fciconnect.com	
C				linear	.XX±.01/0.X±0.3	projection	title
					.XXX±.005/0.XX±0.13		12S + 7ACP
				angles	.XXX±.0020/.XXX±.051		VERTICAL SOLDER RECEPTACLE
					0°±2°	INCH/MM	product family
				dr	S. ROYER 12/13/99	scale	PWRBLADE
				enrg	J. BROWN 12/13/99	1:1	code
				chr	J. BROWN 12/13/99	A	213
				appd	J. BROWN 01/18/00	51684	sheet
sheet index	revision sheet						3